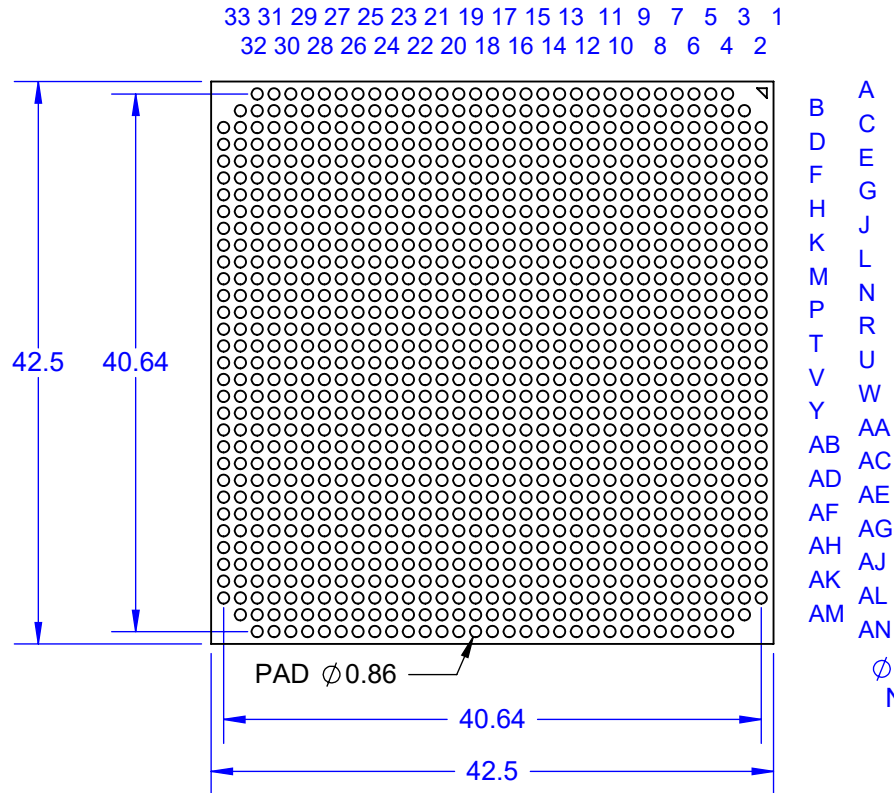
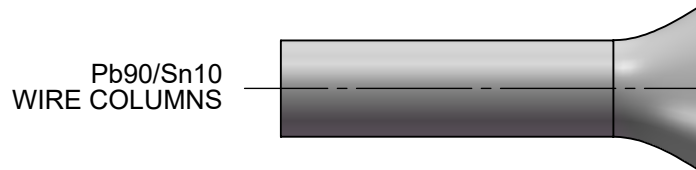
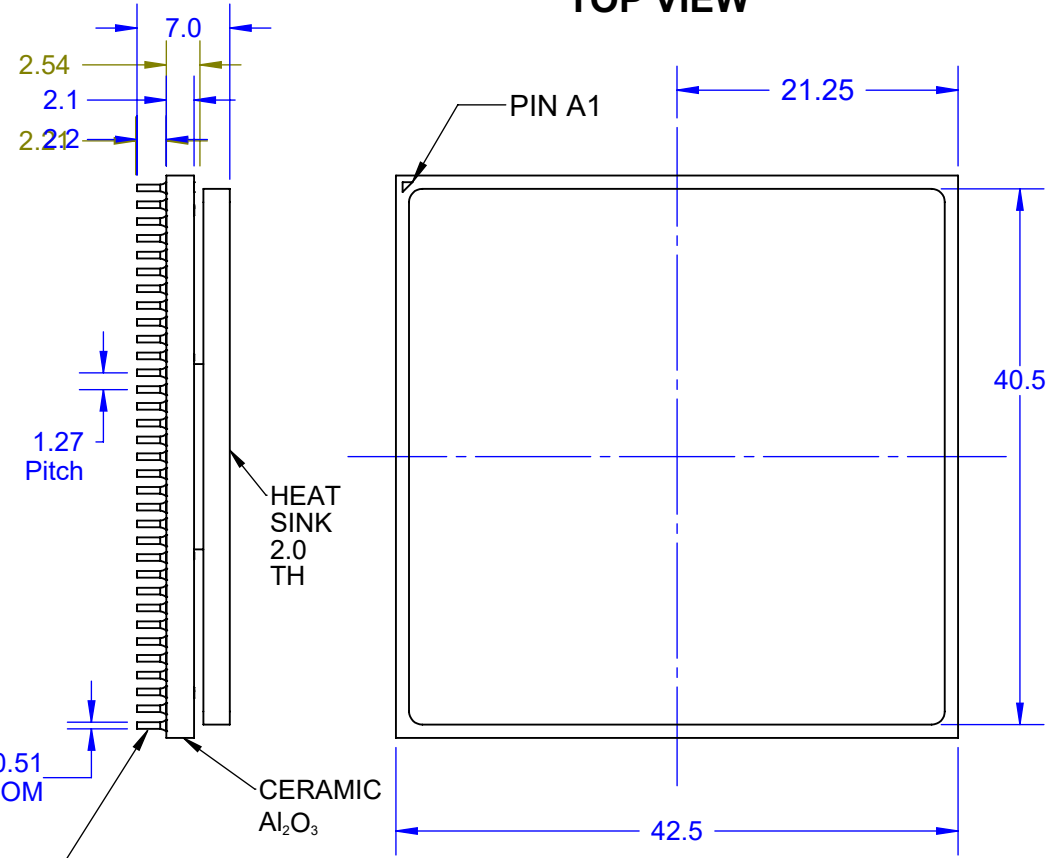


BOTTOM VIEW



TOP VIEW

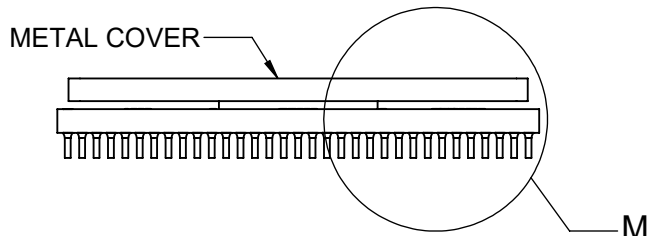


- Notes: (Unless Otherwise Specified)
- 1) DIMENSION ARE IN mm.
 - 2) SHOWN WITH Pb90/Sn10 PLAIN COLUMNS.
 - 3) 1077 COLUMNS.
 - 4) DIE SIZE 14 x 14 x 0.7 MM.
 - 5) PART NUMBER CCGA1077T1.27A-D.

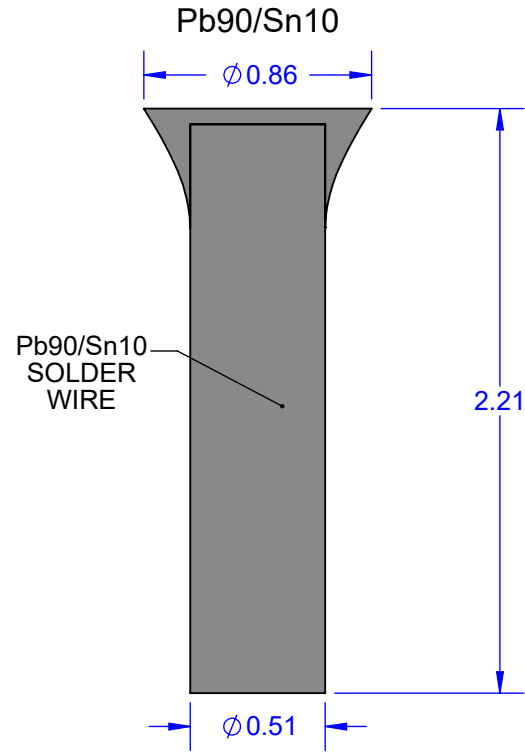
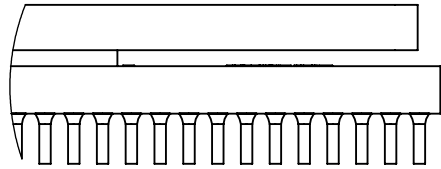
| PART NUMBER OPTIONS | | |
|---------------------|-----------|------------|
| PART NUMBER | DUMMY DIE | SOLDER PIN |
| CCGA1077T1.27A-D | YES | Pb90/Sn10 |

| APPROVALS | DATE | TopLine® | | | |
|-------------|-----------|---|--------|--------------------|--------------|
| DRAWN T.Au | 3/21/2021 | TITLE CCGA1077T1.27-D COLUMN GRID ARRAY | | | |
| ENG M. Hart | 3/21/2021 | | | | |
| MFG | | SCALE 1.75:1 | SIZE A | DRAWING NO. 160121 | REV A |
| QA | | DO NOT SCALE DRAWING | | | SHEET 1 OF 3 |
| CUST | | | | | |
| REVISED | | | | | |

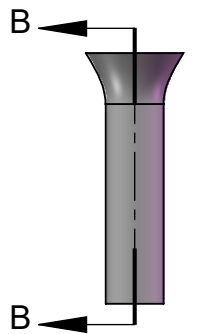
Pb90/Sn10 SOLDER COLUMN



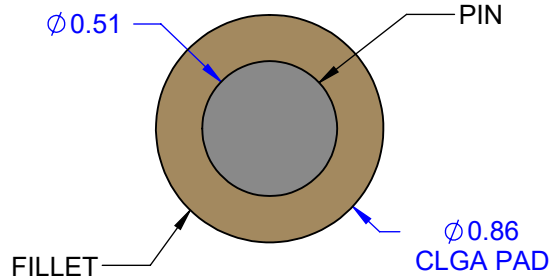
DETAIL M
SCALE 3 : 1



SECTION B-B
SCALE 35 : 1



Pb90/Sn10
SCALE 15:1

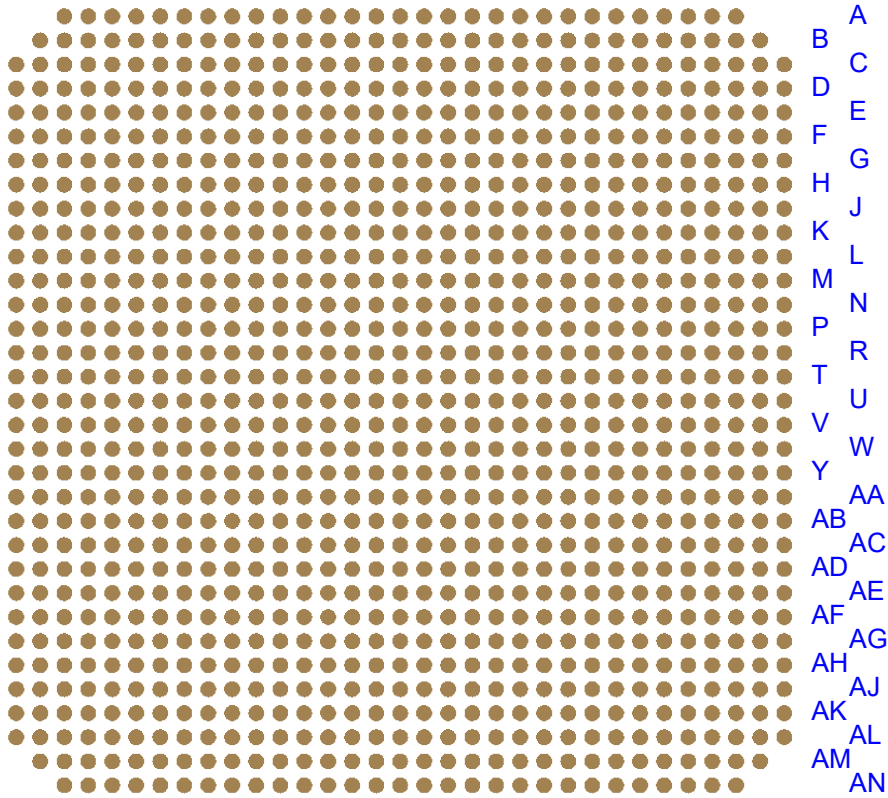


| | | | |
|---|-----------|-----------------------|--------------|
| TopLine® | | | |
| TITLE CCGA1077T1.27-D COLUMN GRID ARRAY | | | |
| SCALE 1.75:1 | SIZE A | DRAWING NO. 160121 | REV A |
| DO NOT SCALE DRAWING | | | SHEET 2 OF 3 |

PAD PATTERN

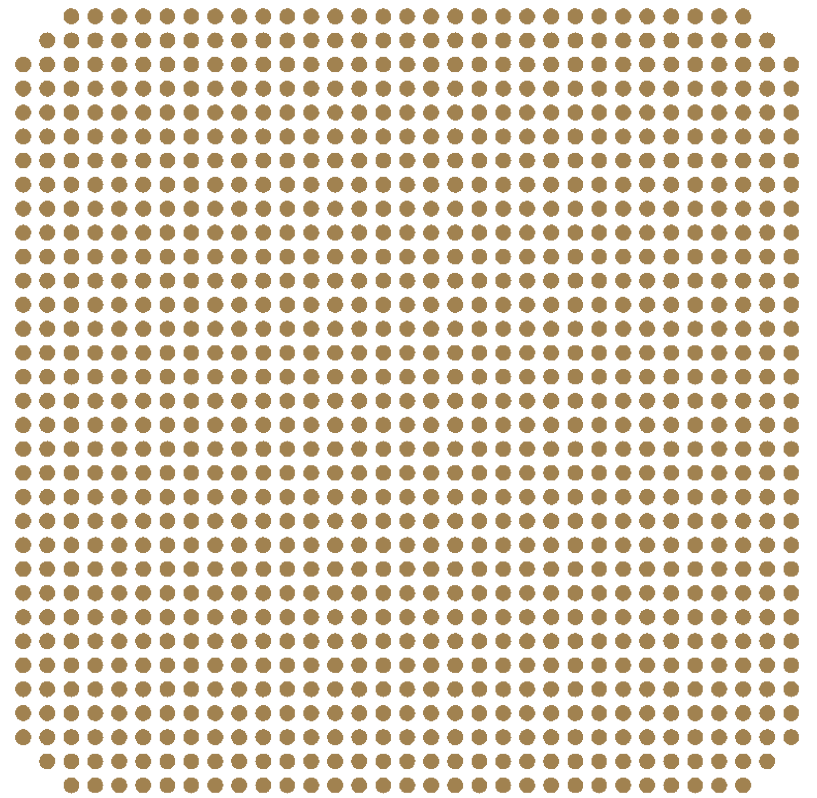
COLUMN VIEW

33 31 29 27 25 23 21 19 17 15 13 11 9 7 5 3 1
 32 30 28 26 24 22 20 18 16 14 12 10 8 6 4 2



BOTTOM X-RAY VIEWED FROM TOP

1 3 5 7 9 11 13 15 17 19 21 23 25 27 29 31 33
 2 4 6 8 10 12 14 16 18 20 22 24 26 28 30 32



TopLine®

TITLE CCGA1077T1.27-D
 COLUMN GRID ARRAY

| | | | |
|-----------------|-----------|-----------------------|----------|
| SCALE 2.75:1 | SIZE A | DRAWING NO. 160121 | REV A |
|-----------------|-----------|-----------------------|----------|

DO NOT SCALE DRAWING

SHEET 3 OF 3