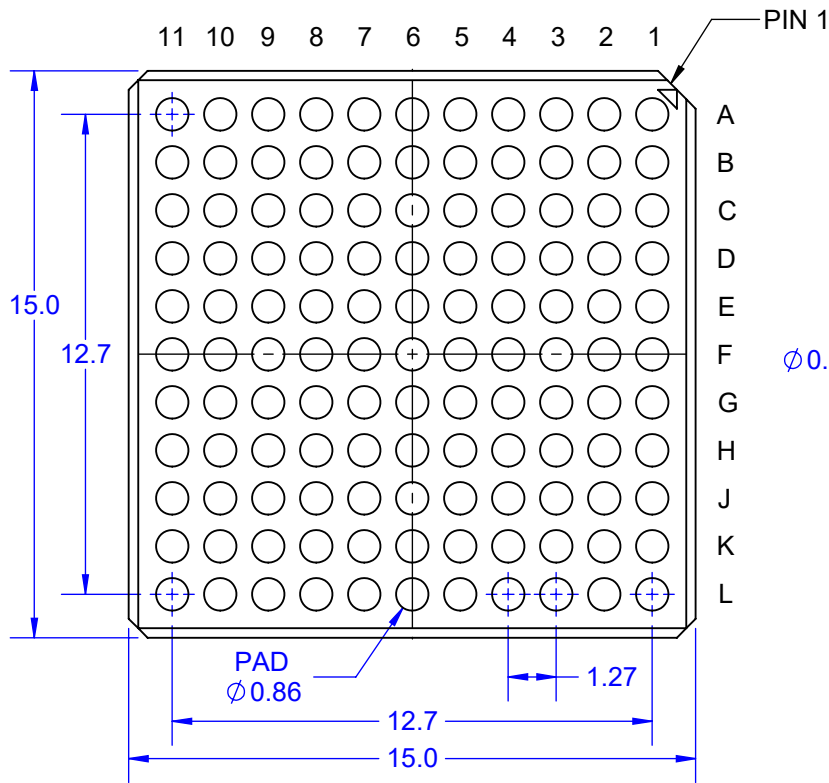
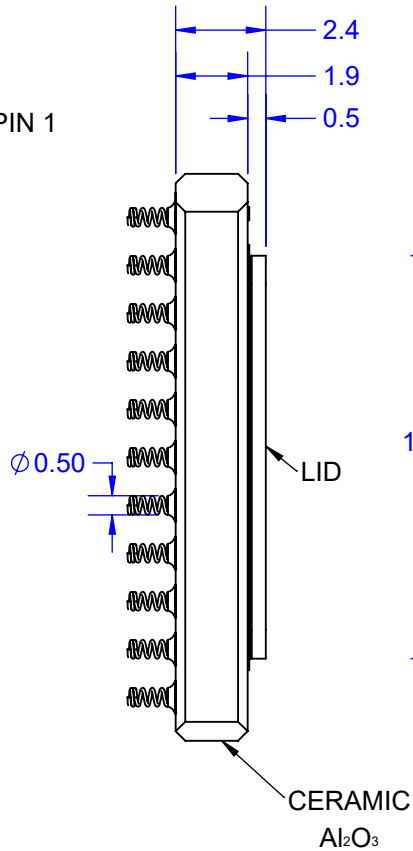


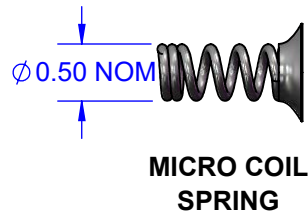
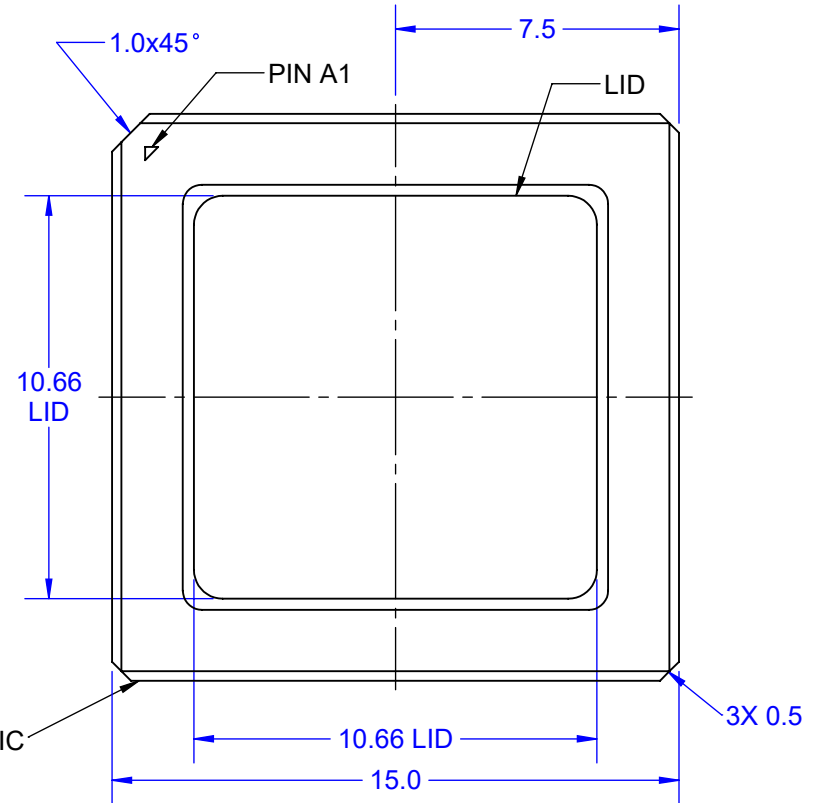
### BOTTOM VIEW



### SIDE VIEW



### TOP VIEW



**NOTES:**

1. MATERIAL IS 90%-MINIMUM ALUMINA.
2. UNITS ARE MILLIMETERS.

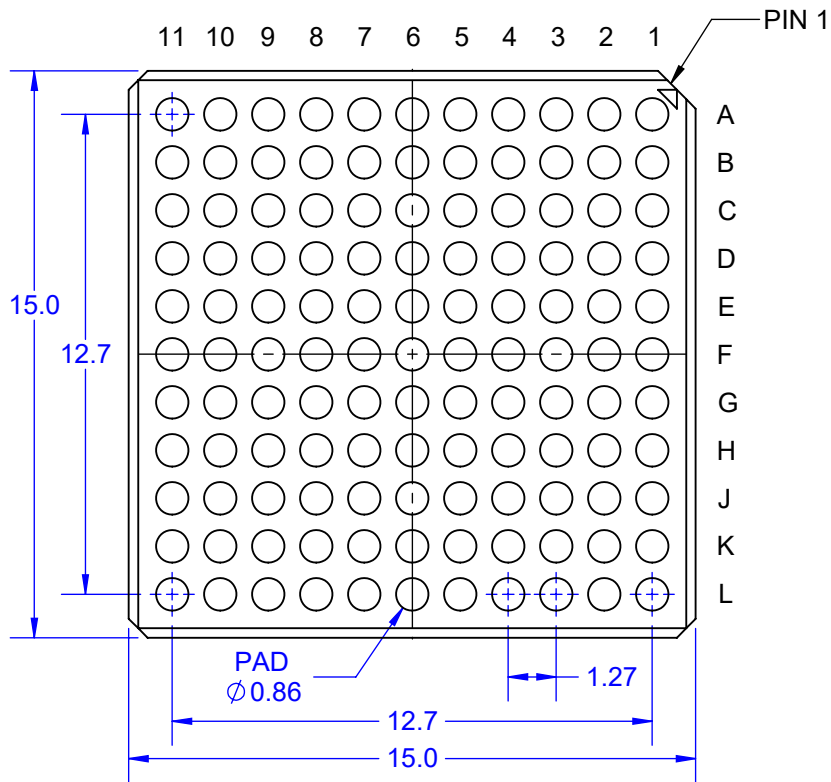
Notes: (Unless Otherwise Specified).

- 1) DIMENSIONS ARE IN mm.
- 2) SHOWN WITH COLUMNS.
- 3) SHOWN WITH LID COVER ATTACHED.
- 4) PART NUMBER: CCGA121T1.27M.

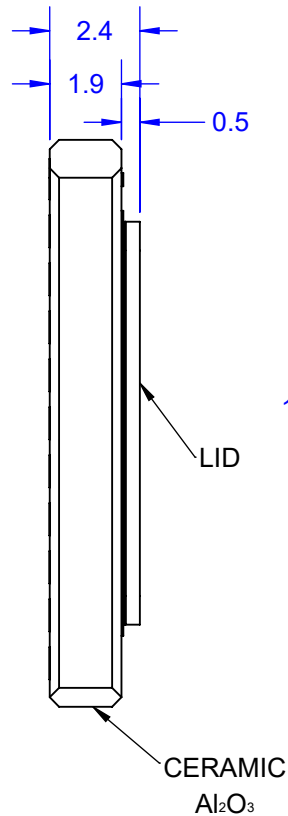
PART NUMBER OPTIONS			
PART NUMBER	DIE	SOLDER PIN	LID
CCGA121T1.27M	YES	YES	YES

APPROVALS	DATE	<b>TopLine®</b>			
DRAWN T. Au	6/28/2022				
ENG M. Hart	6/28/2022	TITLE CCGA121T1.27M COLUMN GRID ARRAY			
MFG		SCALE	SIZE	DRAWING NO.	REV
QA		3:1	A	160305	A
CUST		DO NOT SCALE DRAWING			SHEET 1 OF 7
REVISED					

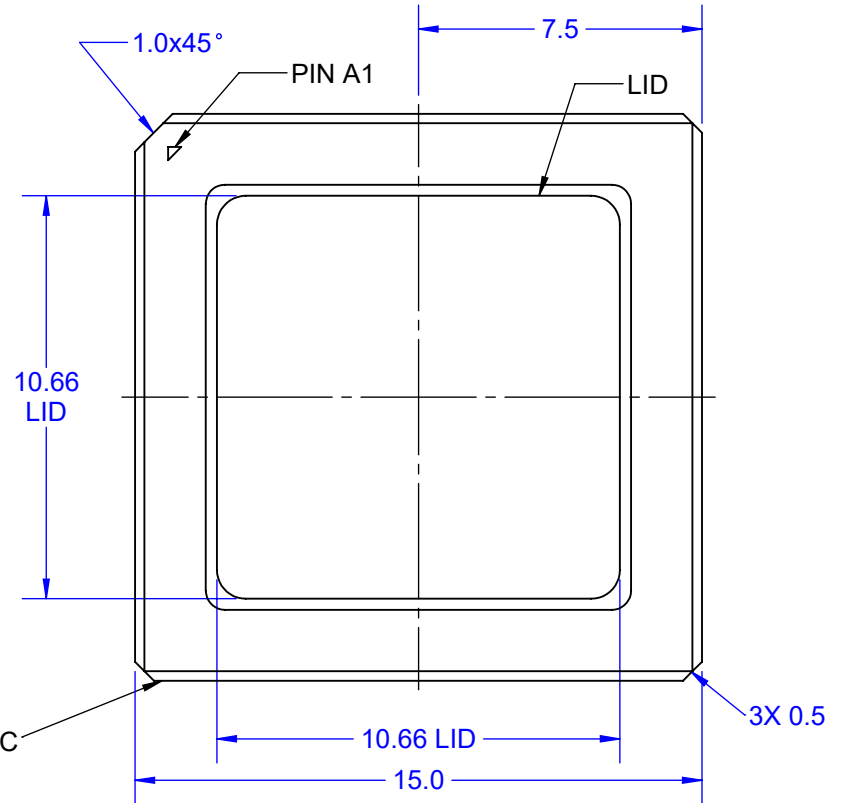
### BOTTOM VIEW



### SIDE VIEW



### TOP VIEW



#### NOTES:

1. MATERIAL IS 90%-MINIMUM ALUMINA.
2. UNITS ARE MILLIMETERS.
3. EXPOSED-METAL PLATING PER MIL-PRF-38535.
  - a. NICKEL BASE: ELECTRO-PLATED 2.54~8.89µm.
  - b. GOLD: ELECTRO-PLATED 2.54~5.72µm.

#### Notes: (Unless Otherwise Specified).

- 1) DIMENSIONS ARE IN mm.
- 2) SHOWN WITHOUT COLUMNS.
- 3) SHOWN WITH LID COVER ATTACHED.
- 4) PART NUMBER: CLGA121T1.27.

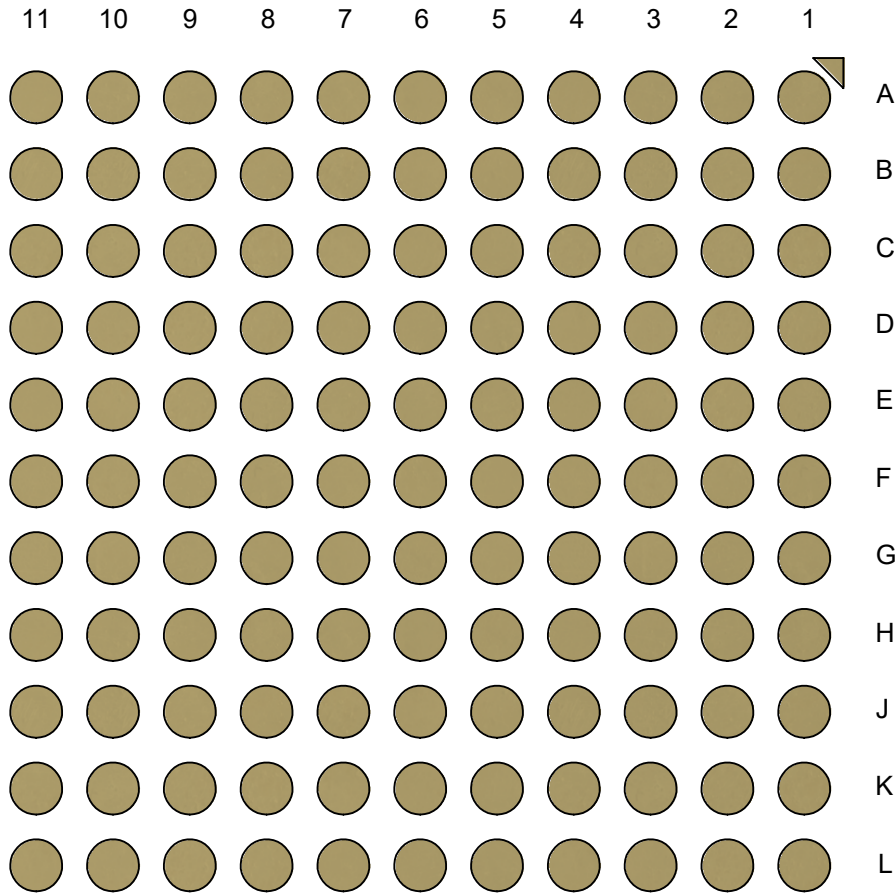
#### PART NUMBER OPTIONS

PART NUMBER	DIE	SOLDER PIN	LID
CLGA121T1.27	YES	NO	YES

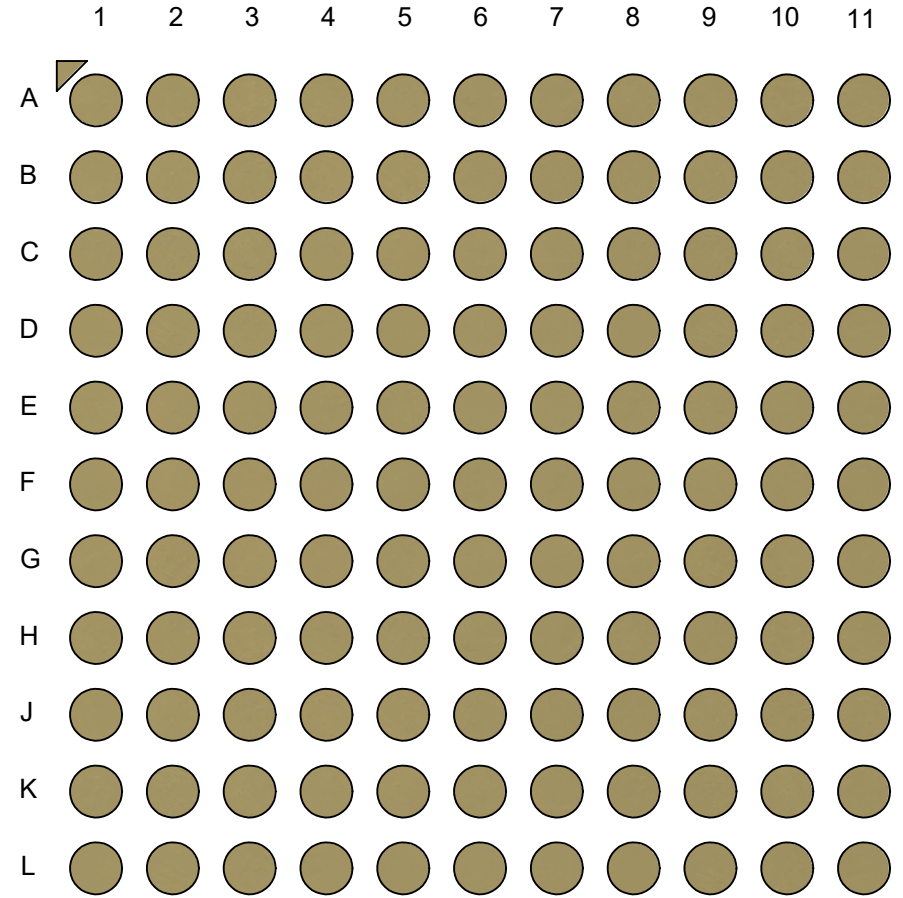
APPROVALS	DATE	<b>TopLine®</b>			
DRAWN T. Au	6/28/2022				
ENG M. Hart	6/28/2022	TITLE CCGA121T1.27 COLUMN GRID ARRAY			
MFG		SCALE	SIZE	DRAWING NO.	REV
QA		3:1	A	160305	A
CUST		DO NOT SCALE DRAWING			SHEET 2 OF 7
REVISED					

# PAD PATTERN

## COLUMN (BALL) VIEW



## BOTTOM X-RAY VIEWED FROM TOP



**TopLine®**

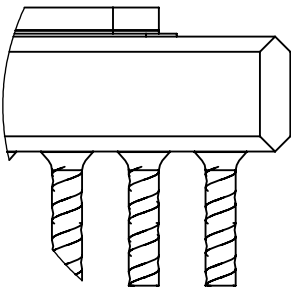
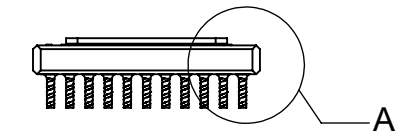
TITLE CCGA121T1.27  
COLUMN GRID ARRAY

SCALE 8:1	SIZE A	DRAWING NO. 160019	REV A
--------------	-----------	-----------------------	----------

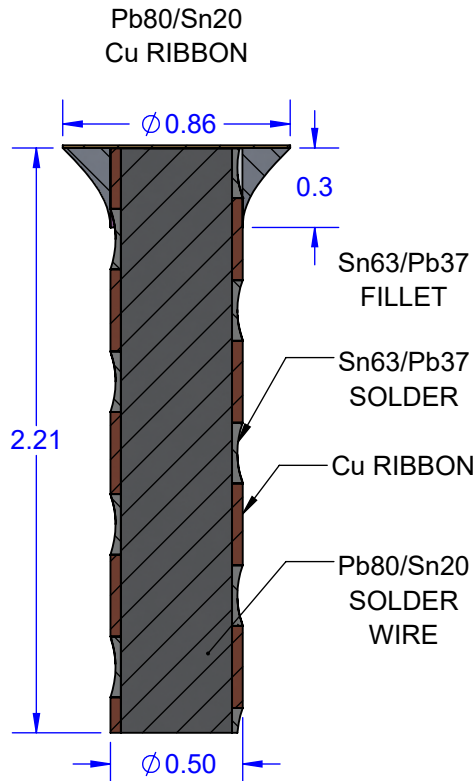
DO NOT SCALE DRAWING

SHEET 3 OF 7

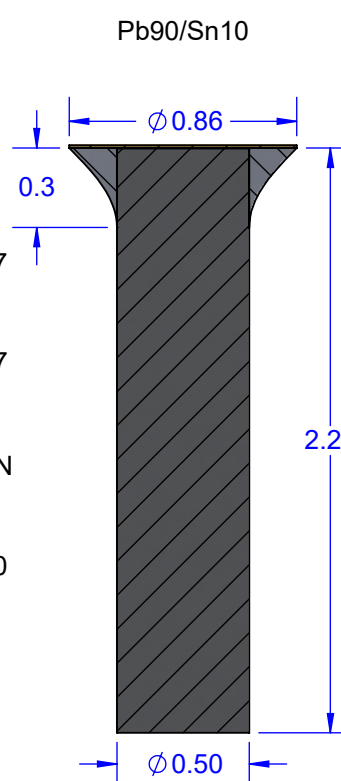
# SOLDER PIN OPTIONS



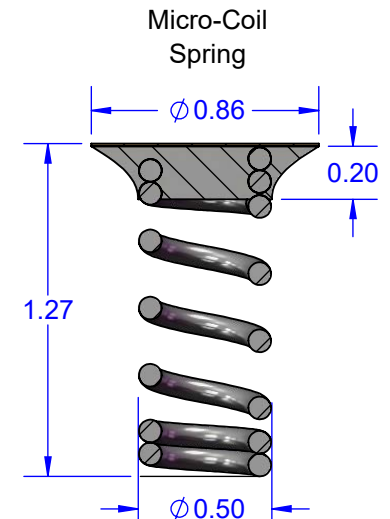
DETAIL A  
SCALE 8 : 1



SECTION B-B  
SCALE 35 : 1



SECTION C-C  
SCALE 35 : 1



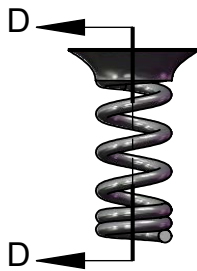
SECTION D-D  
SCALE 35 : 1



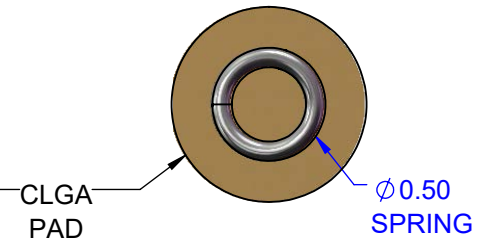
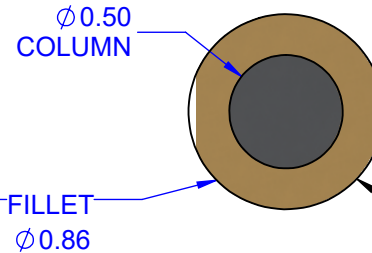
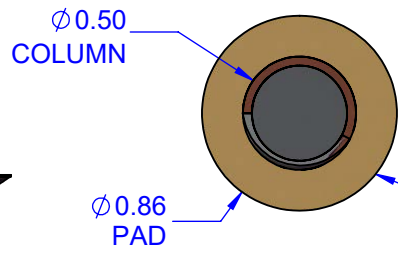
Pb80/Sn20  
Cu RIBBON  
SCALE 15:1



Pb90/Sn10  
SCALE 15:1

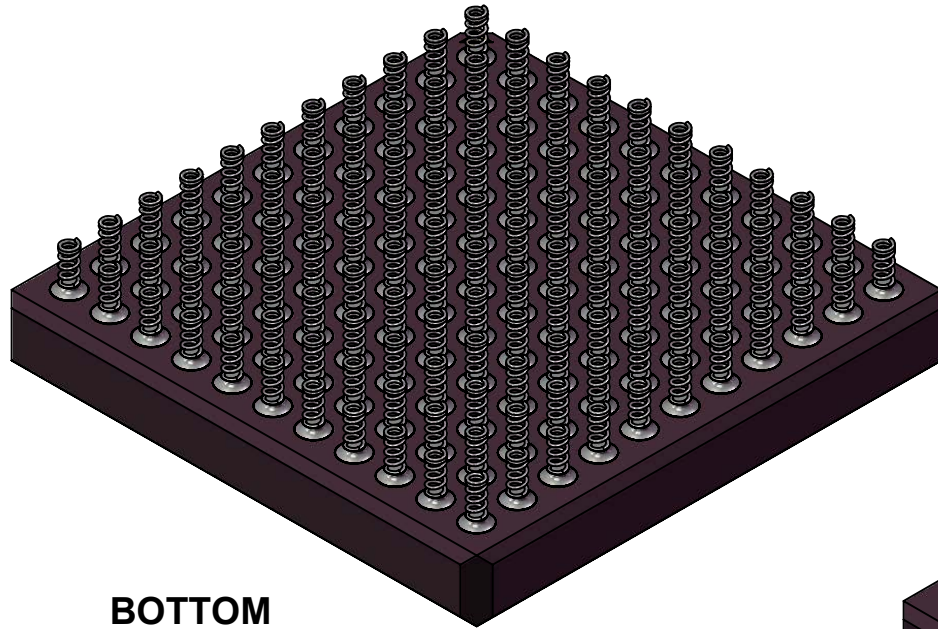


Micro-Coil  
Spring  
SCALE 20:1

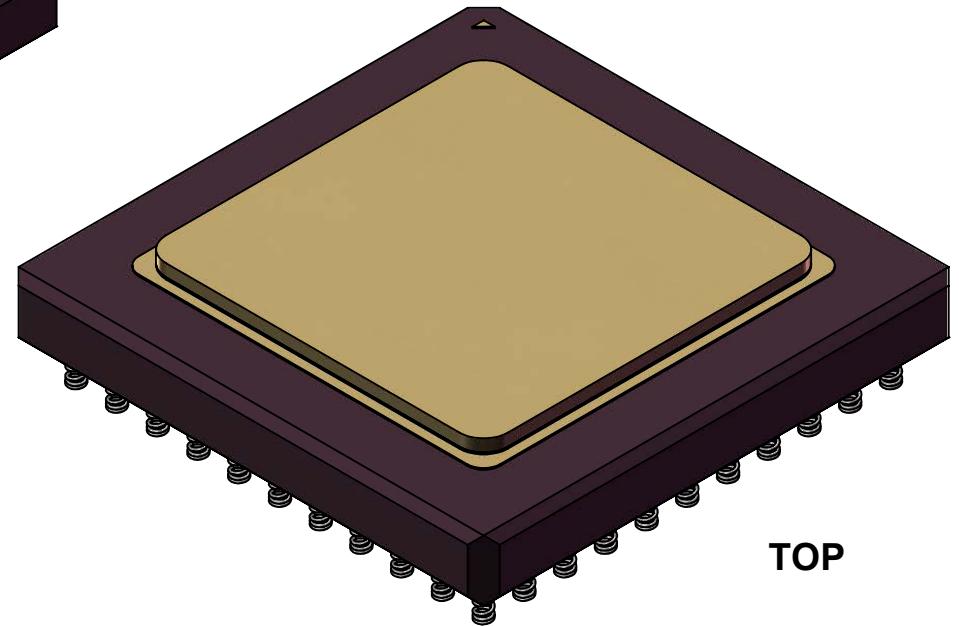


<b>TopLine®</b>			
TITLE CCGA121T1.27 COLUMN GRID ARRAY			
SCALE 8:1	SIZE A	DRAWING NO. 160305	REV A
DO NOT SCALE DRAWING			SHEET 4 OF 7

**MODEL  
CCGA121T1.27M  
MICRO-COIL SPRING**



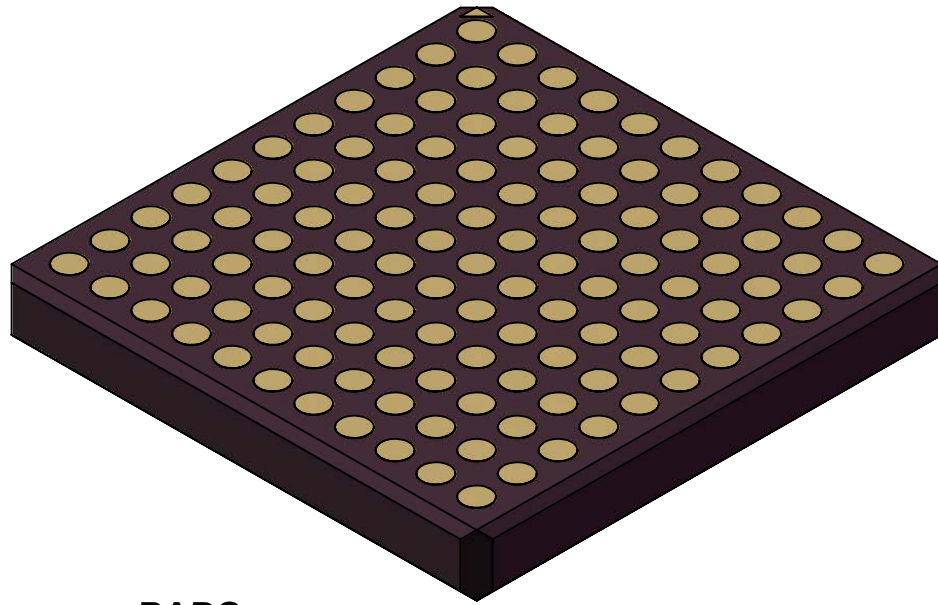
**BOTTOM**



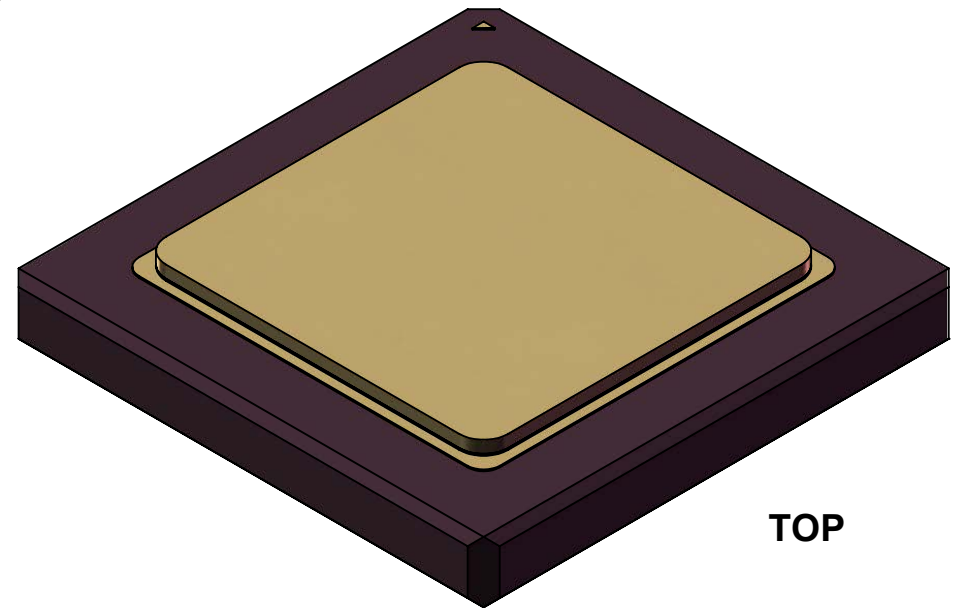
**TOP**

<b>TopLine®</b>			
TITLE      CCGA121T1.27 COLUMN GRID ARRAY			
SCALE	SIZE	DRAWING NO.	REV
6:1	A	160305	A
DO NOT SCALE DRAWING			SHEET 5 OF 7

**MODEL  
CLGA121T1.27  
WITHOUT COLUMNS**



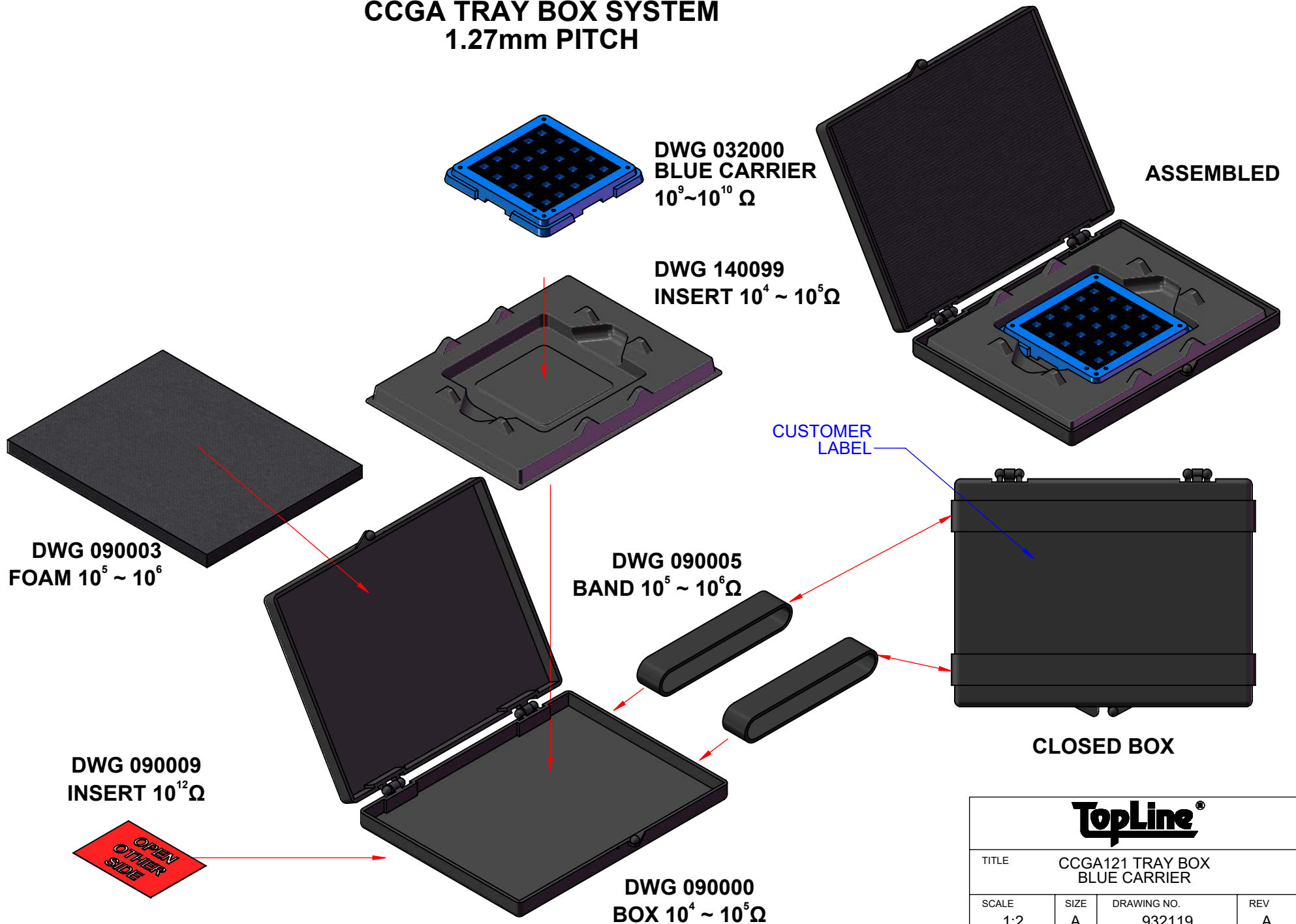
**PADS  
(BOTTOM)**



**TOP**

<b>TopLine<sup>®</sup></b>			
TITLE		CCGA121T1.27 COLUMN GRID ARRAY	
SCALE	SIZE	DRAWING NO.	REV
6:1	A	160305	A
DO NOT SCALE DRAWING			SHEET 6 OF 7

# EXPLODED VIEW CCGA TRAY BOX SYSTEM 1.27mm PITCH



<b>TopLine®</b>			
TITLE		CCGA121 TRAY BOX BLUE CARRIER	
SCALE	SIZE	DRAWING NO.	REV
1:2	A	932119	A
DO NOT SCALE DRAWING			SHEET 7 OF 7