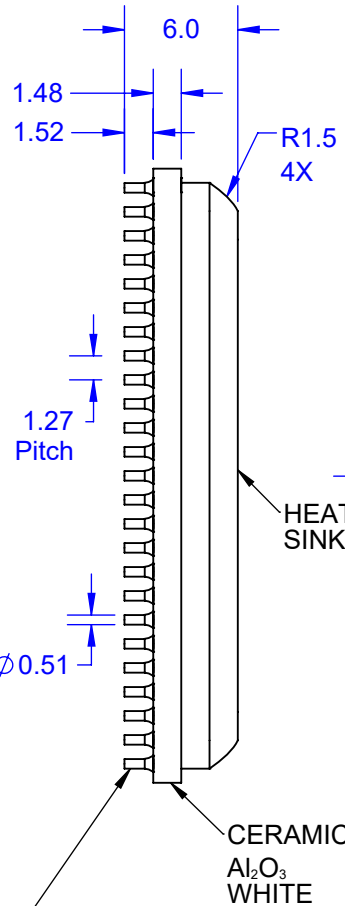
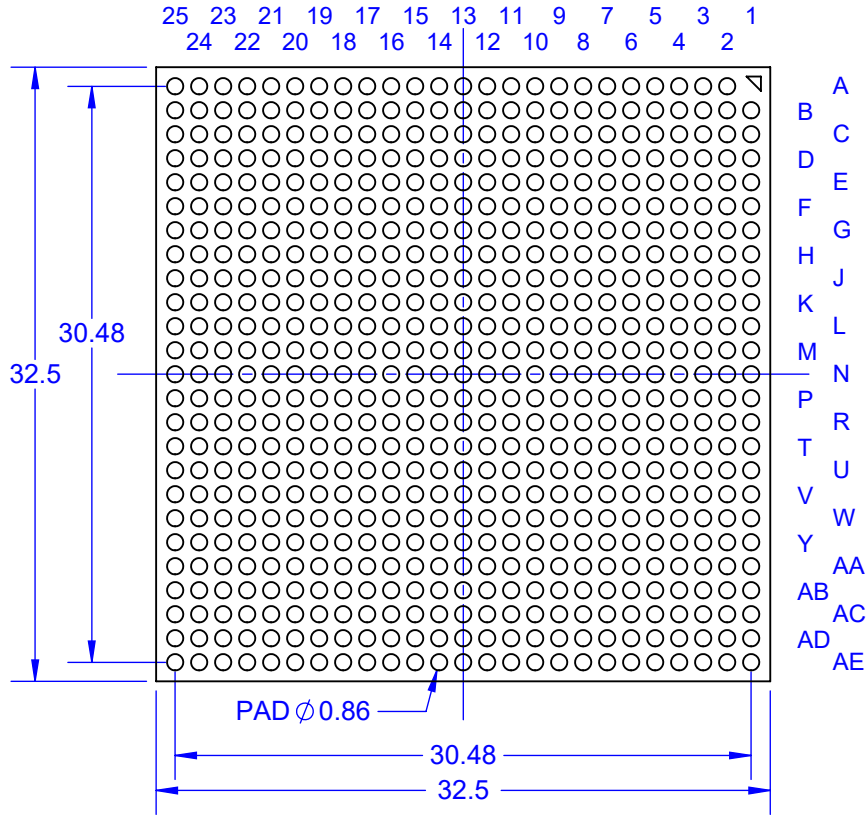
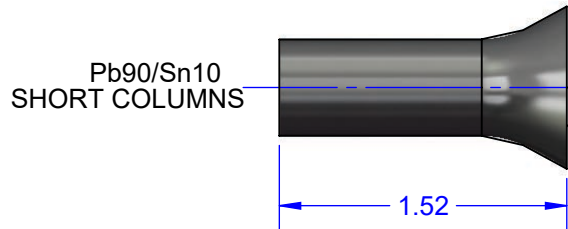
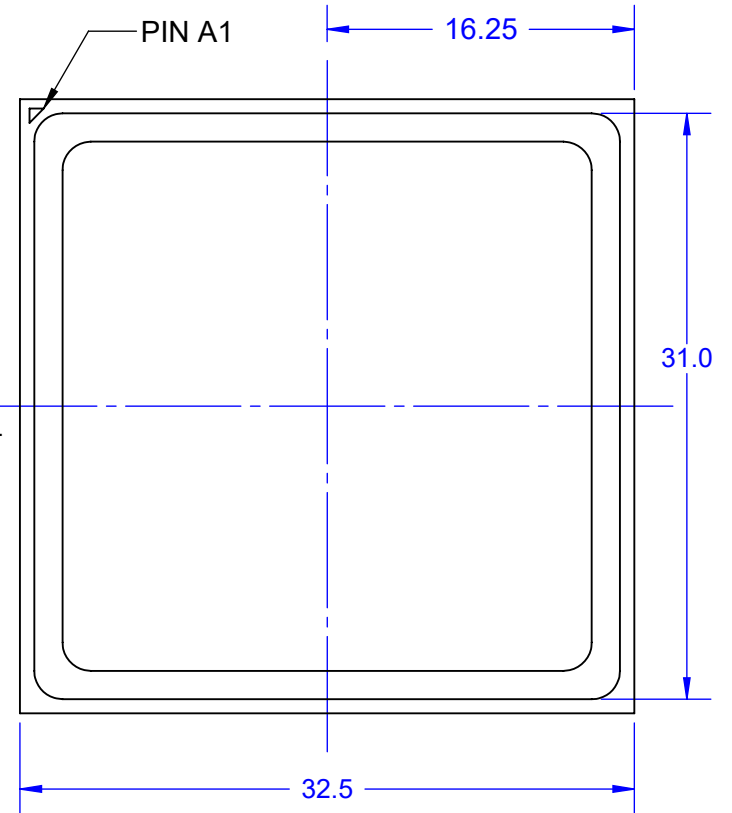


### BOTTOM VIEW



### TOP VIEW

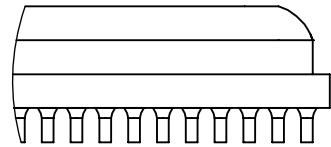
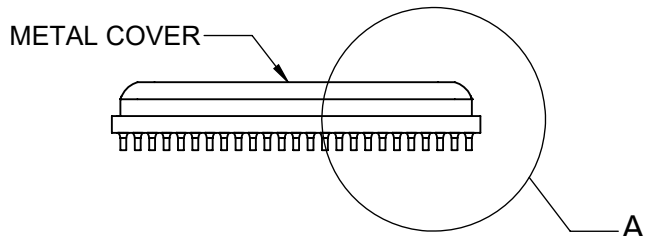


- Notes: (Unless Otherwise Specified)
- 1) DIMENSION ARE IN mm.
  - 2) SHOWN WITH Pb90/Sn10 PLAIN COLUMNS.
  - 3) 624 COLUMNS.
  - 4) DIE SIZE 10 x 10 x 0.7 MM.
  - 5) PART NUMBER CCGA624T1.27A-D.

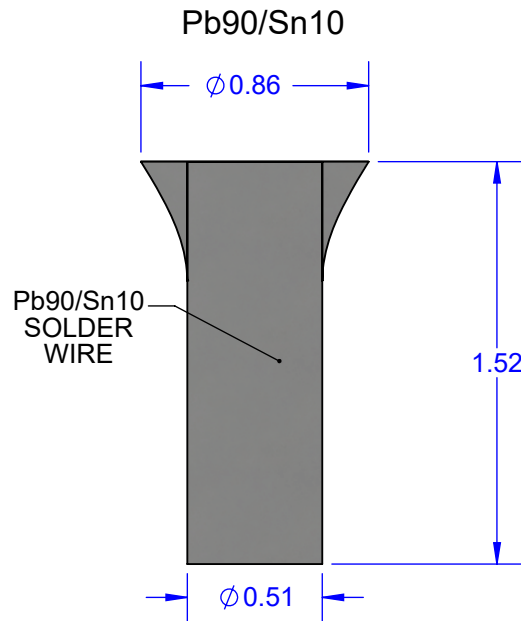
PART NUMBER OPTIONS		
PART NUMBER	DUMMY DIE	SOLDER PIN
CCGA624T1.27A-D	YES	Pb90/Sn10

APPROVALS	DATE	<b>TopLine®</b>			
DRAWN T.Au	4/10/2022				
ENG M. Hart	4/10/2022	TITLE CCGA624T1.27A-D COLUMN GRID ARRAY			
MFG		SCALE 2.5:1	SIZE A	DRAWING NO. 160043	REV A
QA		DO NOT SCALE DRAWING			SHEET 1 OF 5
CUST					
REVISED					

# Pb90/Sn10 LOW PROFILE COLUMN



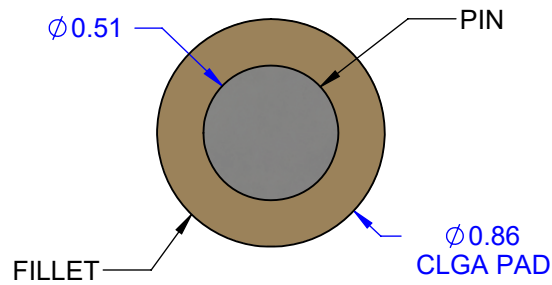
DETAIL A  
SCALE 3 : 1



SECTION B-B  
SCALE 35 : 1



Pb90/Sn10  
SCALE 15:1

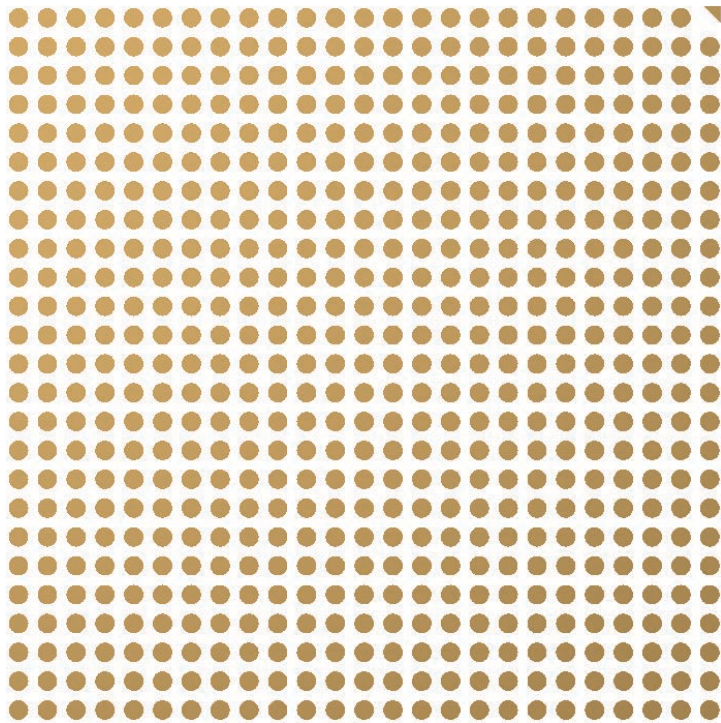


<b>TopLine®</b>			
TITLE CCGA624T1.27A-D COLUMN GRID ARRAY			
SCALE 1.75:1	SIZE A	DRAWING NO. 160043	REV A
DO NOT SCALE DRAWING			SHEET 2 OF 5

# PAD PATTERN

## COLUMN VIEW

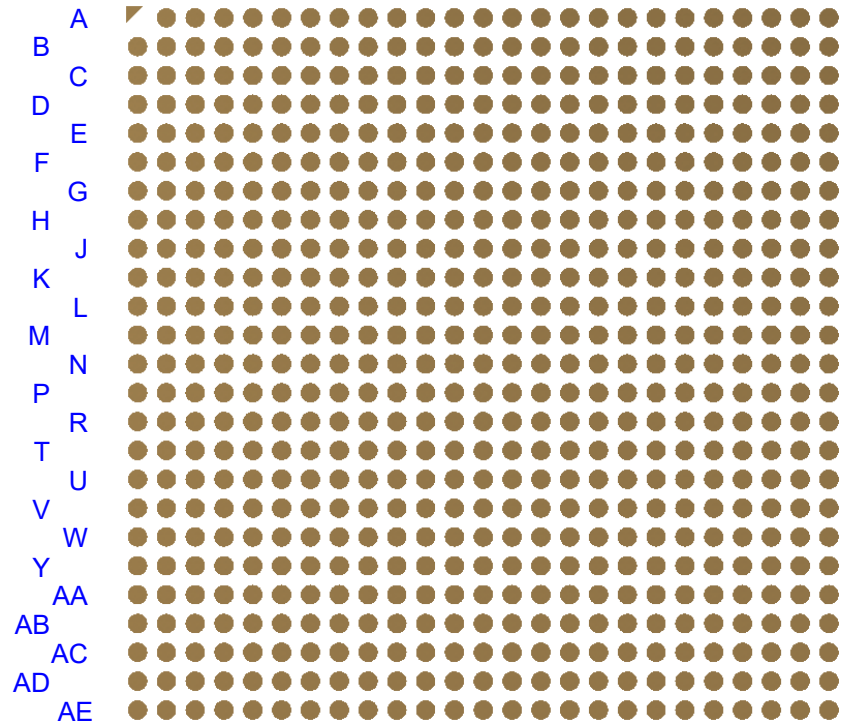
25 23 21 19 17 15 13 11 9 7 5 3 1  
 24 22 20 18 16 14 12 10 8 6 4 2



A  
 B  
 C  
 D  
 E  
 F  
 G  
 H  
 J  
 K  
 L  
 M  
 N  
 P  
 R  
 T  
 U  
 V  
 W  
 Y  
 AA  
 AB  
 AC  
 AD  
 AE

## BOTTOM X-RAY VIEWED FROM TOP

1 3 5 7 9 11 13 15 17 19 21 23 25  
 2 4 6 8 10 12 14 16 18 20 22 24

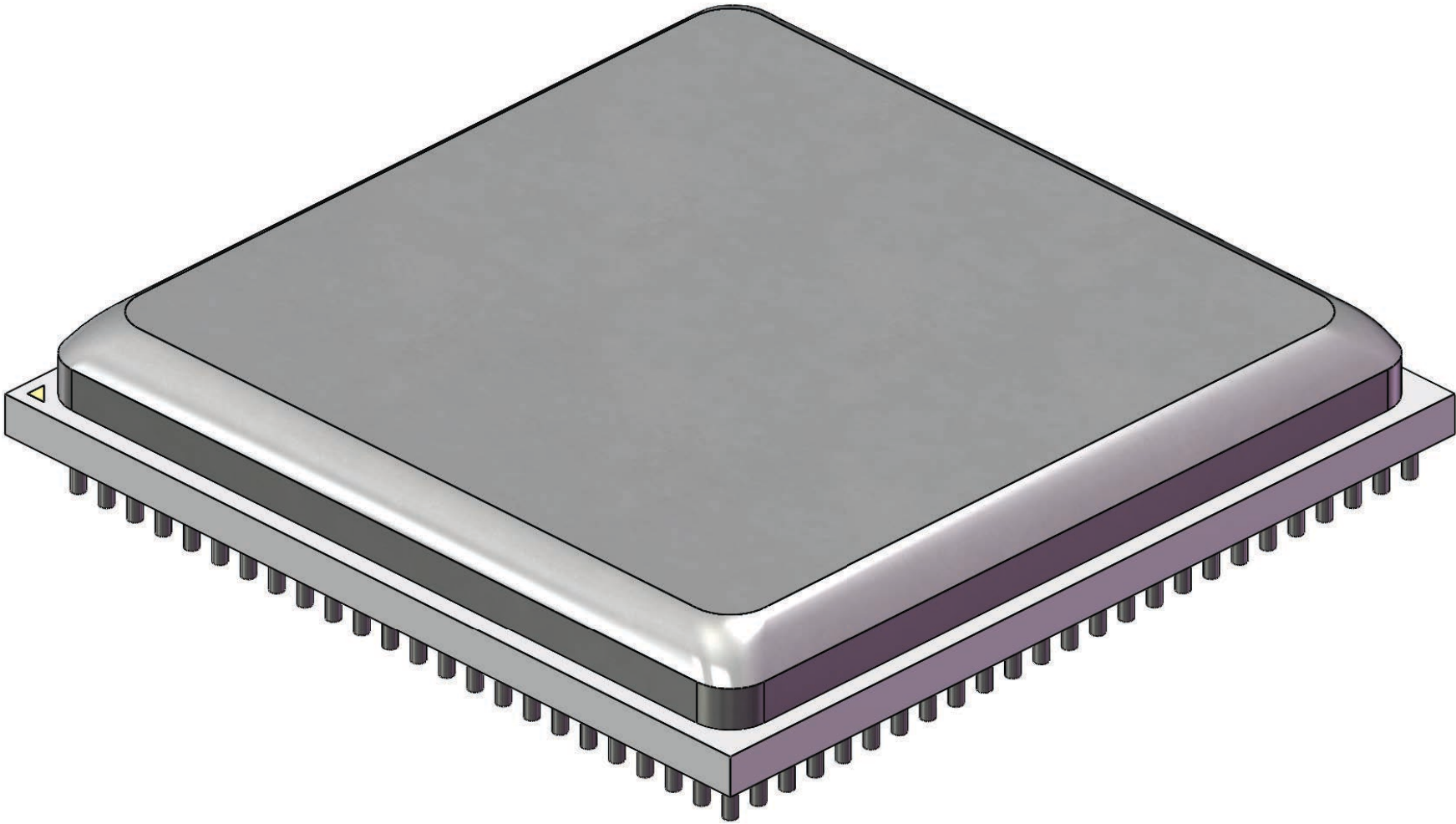


A  
 B  
 C  
 D  
 E  
 F  
 G  
 H  
 J  
 K  
 L  
 M  
 N  
 P  
 R  
 T  
 U  
 V  
 W  
 Y  
 AA  
 AB  
 AC  
 AD  
 AE



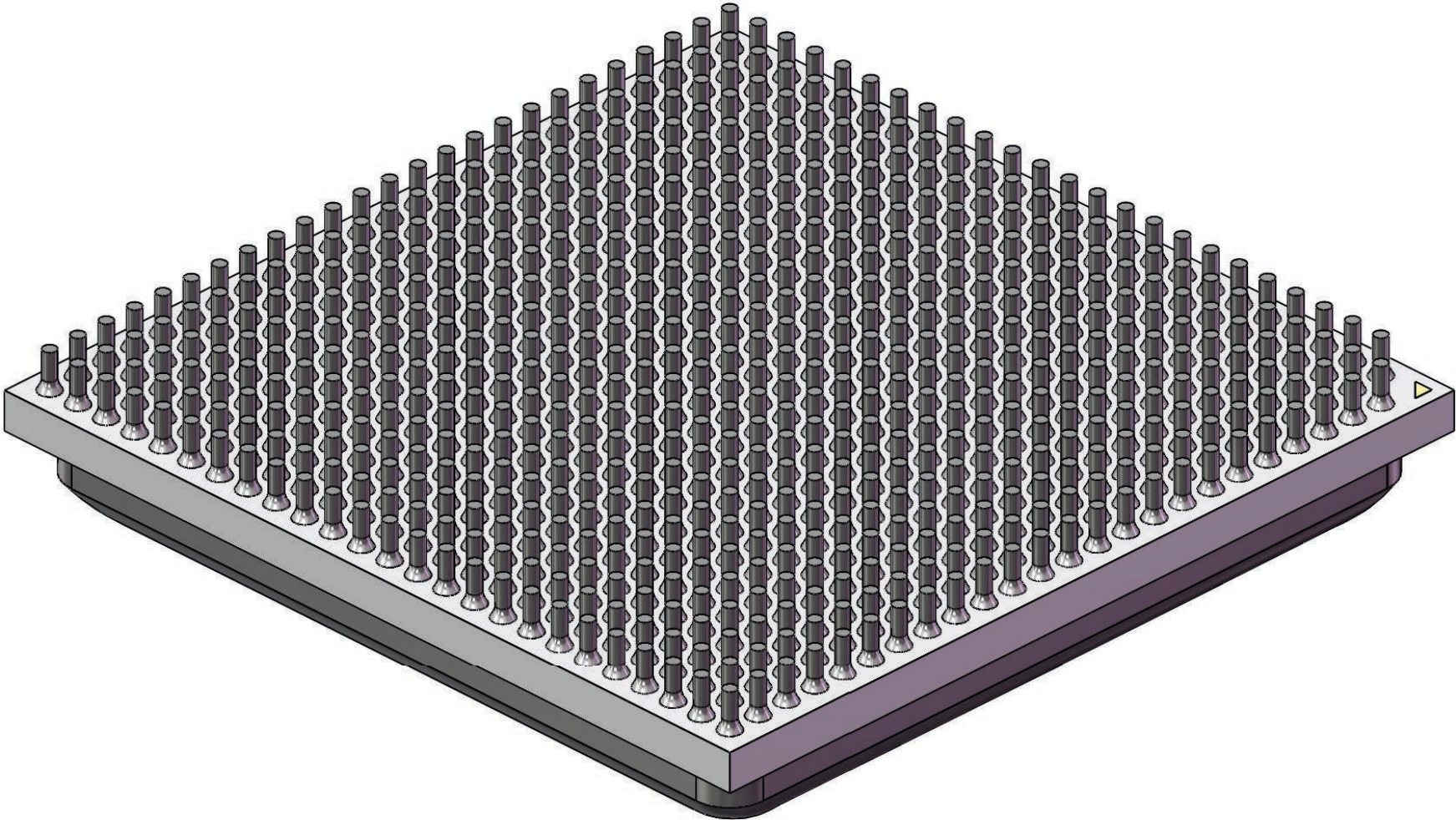
TITLE			
CCGA624T1.27A-D COLUMN GRID ARRAY			
SCALE	SIZE	DRAWING NO.	REV
3:1	A	160043	A
DO NOT SCALE DRAWING			SHEET 3 OF 5

MODEL  
CCGA624 - TOP



<b>TopLine<sup>®</sup></b>			
TITLE		CCGA624T1.27A-D COLUMN GRID ARRAY	
SCALE	SIZE	DRAWING NO.	REV
5:1	A	160043	A
DO NOT SCALE DRAWING			SHEET 4 OF 5

**MODEL  
CCGA624 - BOTTOM**



<b>TopLine®</b>			
TITLE		CCGA624T1.27A-D COLUMN GRID ARRAY	
SCALE	SIZE	DRAWING NO.	REV
5:1	A	160043	A
DO NOT SCALE DRAWING			SHEET 5 OF 5