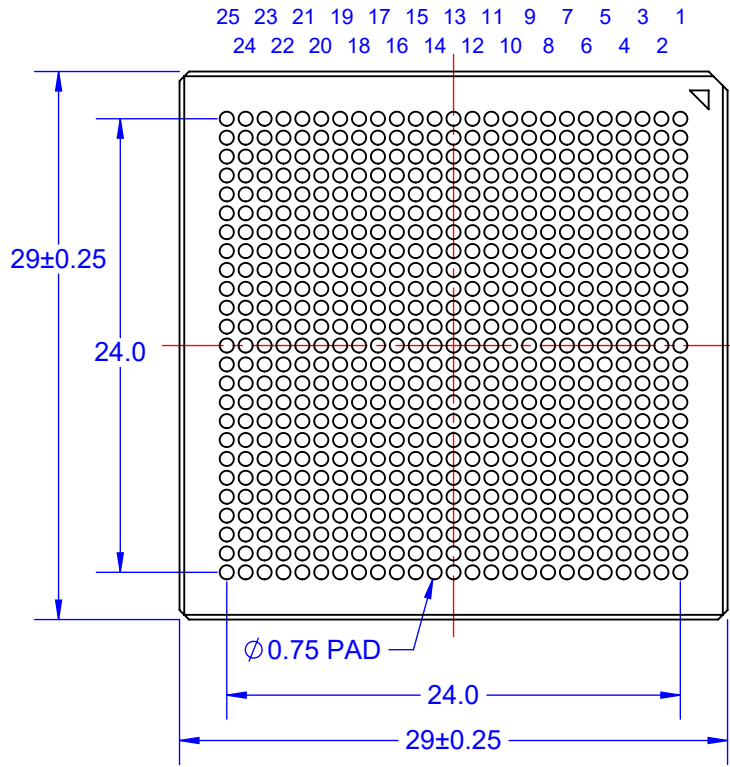
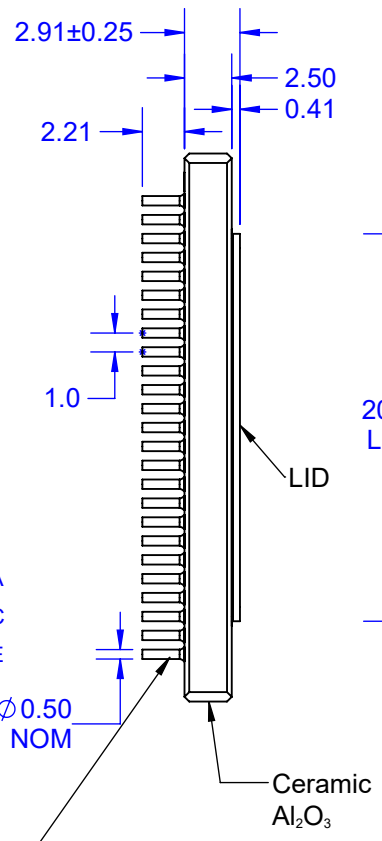


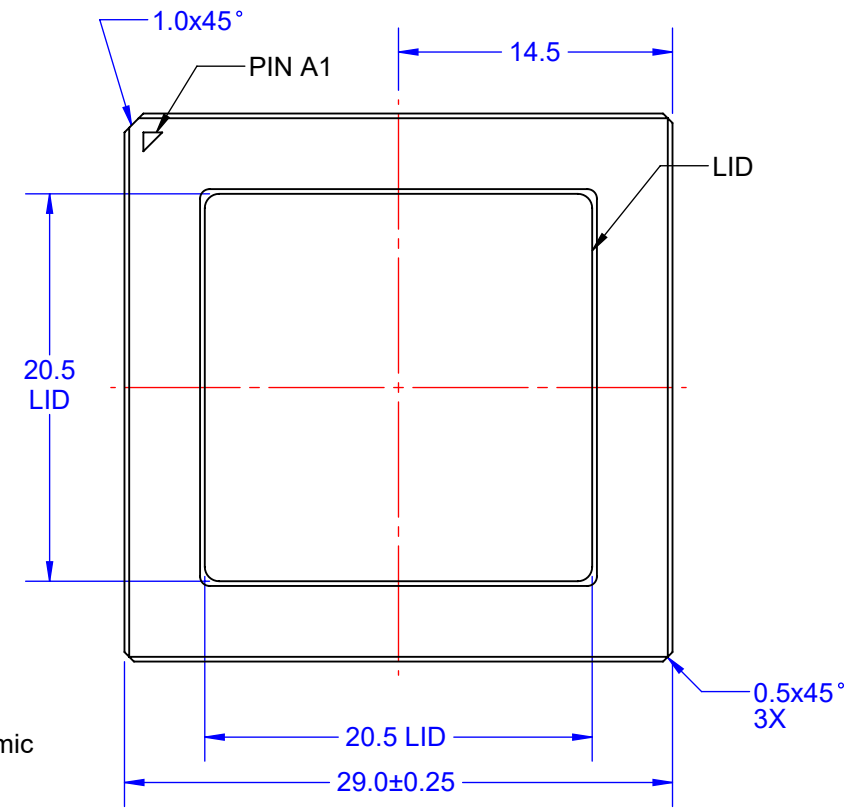
BOTTOM VIEW



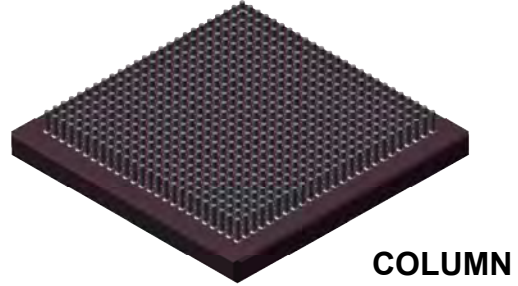
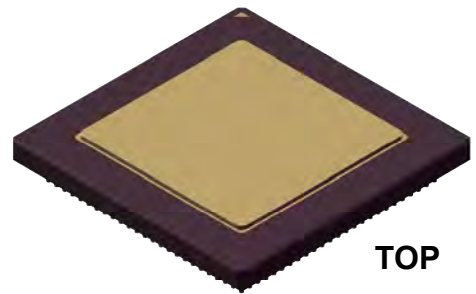
SIDE VIEW



TOP VIEW



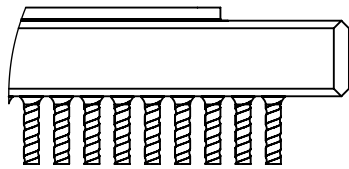
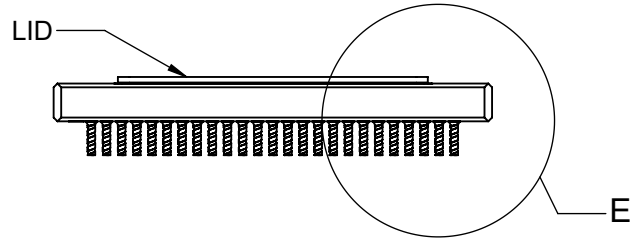
Pb90/Sn10
PLAIN COLUMNS



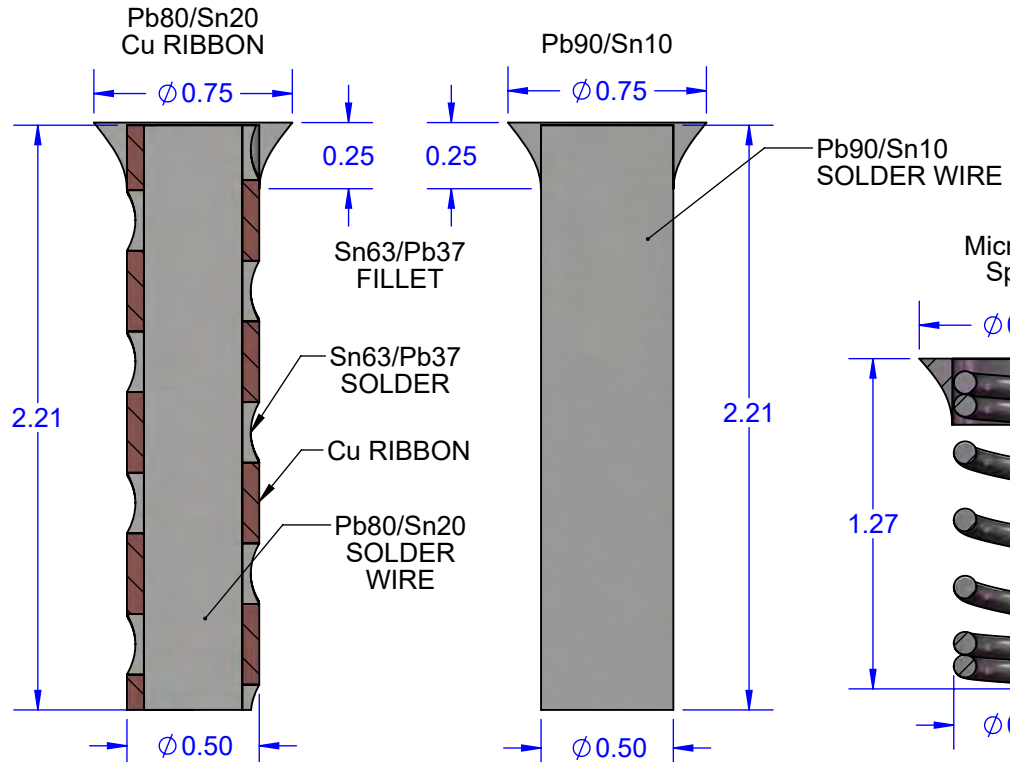
Notes: (Unless Otherwise Specified).
1) DIMENSIONS ARE IN mm.
2) CCGA625T1.0A-DC258D

APPROVALS	DATE	TopLine®			
DRAWN T. Au	2/6/2024				
ENG M. Hart	2/6/2024	TITLE CCGA625 PITCH 1.0mm COLUMN GRID ARRAY			
MFG		SCALE 2.5:1	SIZE A	DRAWING NO. 160097	REV A
QA		DO NOT SCALE DRAWING			SHEET 1 OF 6
CUST					
REVISED					

SOLDER PIN OPTIONS



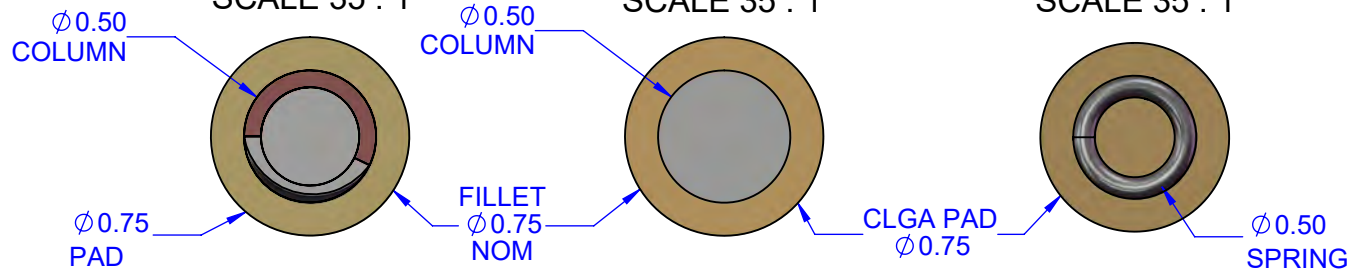
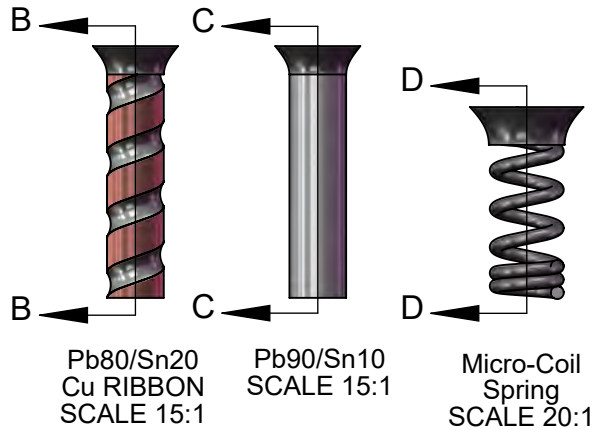
DETAIL E
SCALE 4 : 1



SECTION B-B
SCALE 35 : 1

SECTION C-C
SCALE 35 : 1

SECTION D-D
SCALE 35 : 1



TopLine[®]

TITLE CCGA625 PITCH 1.0mm
COLUMN GRID ARRAY

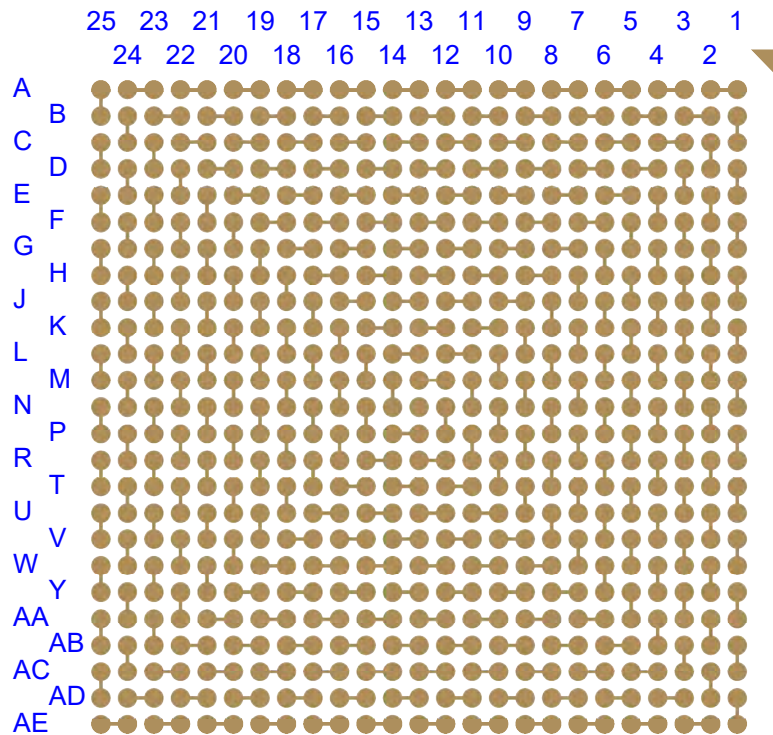
SCALE	SIZE	DRAWING NO.	REV
2:1	A	160097	A

DO NOT SCALE DRAWING

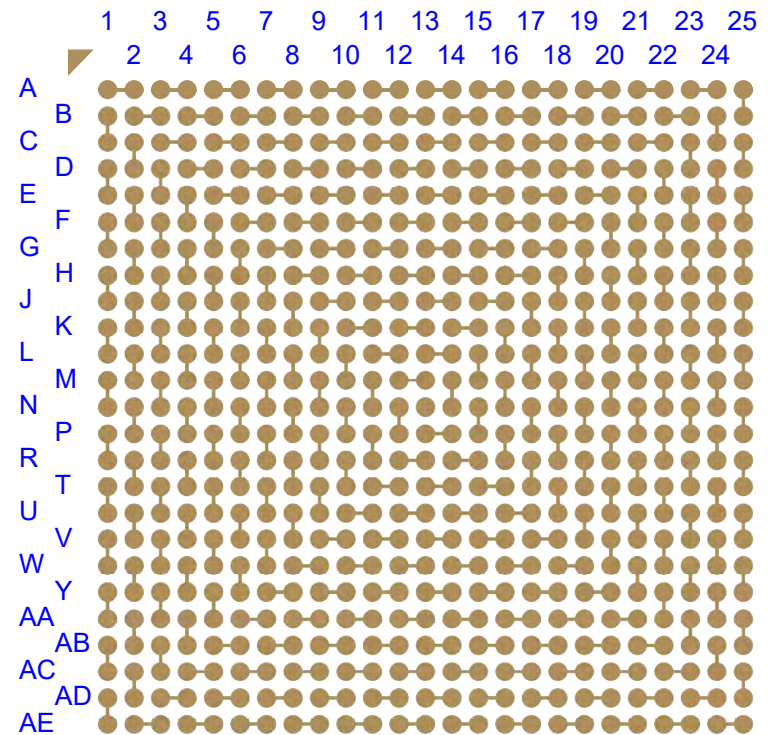
SHEET 2 OF 6

PAD PATTERN DC258 DAISY CHAIN

COLUMN (PAD) VIEW



BOTTOM X-RAY VIEWED FROM TOP



TopLine®

TITLE CCGA625 PITCH 1.0mm
 COLUMN GRID ARRAY

SCALE 3.5:1	SIZE A	DRAWING NO. 160097	REV A
----------------	-----------	-----------------------	----------

DO NOT SCALE DRAWING SHEET 3 OF 6

NET LIST DAISY CHAIN DC258

PAD	PAD
A1	A2
A3	A4
A5	A6
A7	A8
A9	A10
A11	A12
A13	A14
A15	A16
A17	A18
A19	A20
A21	A22
A23	A24
A25	B25
B1	C1
B2	B3
B4	B5
B6	B7
B8	B9
B10	B11
B12	B13
B14	B15
B16	B17
B18	B19
B20	B21
B22	B23
B24	C24
C2	D2
C3	C4
C5	C6
C7	C8
C9	C10
C11	C12
C13	C14
C15	C16
C17	C18
C19	C20
C21	C22
C23	D23
C25	D25
D1	E1

PAD	PAD
D3	E3
D4	D5
D6	D7
D8	D9
D10	D11
D12	D13
D14	D15
D16	D17
D18	D19
D20	D21
D22	E22
D24	E24
E2	F2
E4	F4
E5	E6
E7	E8
E9	E10
E11	E12
E13	E14
E15	E16
E17	E18
E19	E20
E21	F21
E23	F23
E25	F25
F1	G1
F3	G3
F5	G5
F6	F7
F8F	F9
F10	F11
F12	F13
F14	F15
F16	F17
F18	F19
F20	G20
F22	G22
F24	G24
G2	H2
G4	H4

PAD	PAD
K7	L7
K9	L9
K10	K11
K12	K13
K14	K15
K16	L16
K18	L18
K20	L20
K22	L22
K24	L24
L2	M2
L4	M4
L6	M6
L8	M8
L10	M10
L11	L12
L13	L14
L15	M15
L17	M17
L19	M19
L21	M21
L23	M23
L25	M25
M1	N1
M3	N3
M5	N5
M7	N7
M9	N9
M11	N11
M12	M13
M14	N14
M16	N16
M18	N18
M20	N20
M22	N22
M24	N24
N2	P2
N4	P4
N6	P6
N8	P8

PAD	PAD
N10	P10
N12	P12
N15	P15
N17	P17
N19	P19
N21	P21
N23	P23
N25	P25
P1	R1
P3	R3
P5	R5
P7	R7
P9	R9
P11	R11
P13	P14
P16	R16
P18	R18
P20	R20
P22	R22
P24	R24
R2	T2
R4	T4
R6	T6
R8	T8
R10	T10
R12	R13
R14	R15
R17	T17
R19	T19
R21	T21
R23	T23
R25	T25
T1	U1
T3	U3
T5	U5
T7	U7
T9	U9
T11	T12
T13	T14
T15	T16

PAD	PAD
T18	U18
T20	U20
T22	U22
T24	U24
U2	V2
U4	V4
U6	V6
U8	V8
U10	U11
U12	U13
U14	U15
U16	U17
U19	V19
U21	V21
U23	V23
U25	V25
V1	W1
V3	W3
V5	W5
V7	W7
V9	V10
V11	V12
V13	V14
V15	V16
V17	V18
V20	W20
V22	W22
V24	W24
W2	Y2
W4	Y4
W6	Y6
W8	W9
W10	W11
W12	W13
W14	W15
W16	W17
W18	W19
W21	Y21
W23	Y23
W25	Y25

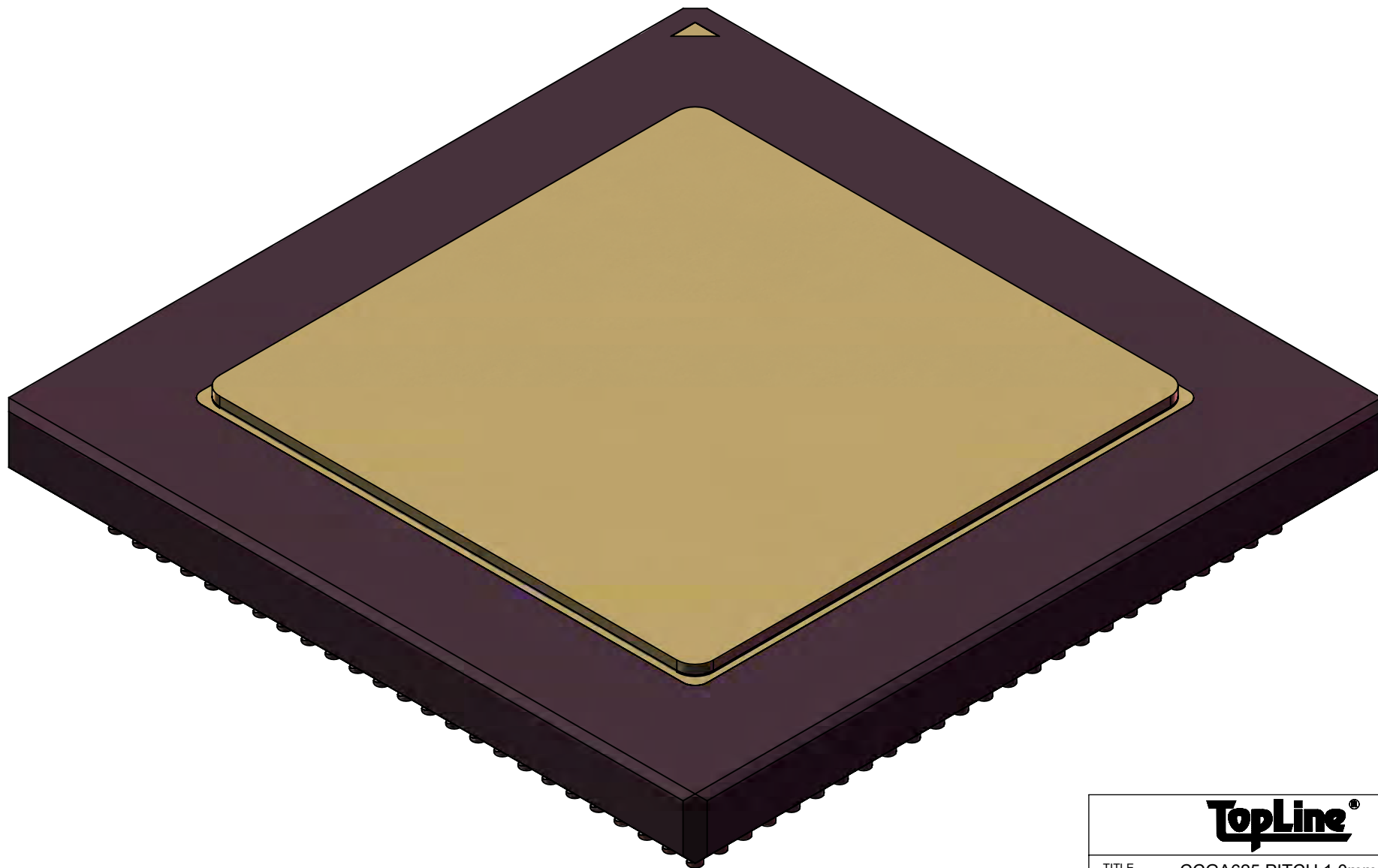
PAD	PAD
Y1	AA1
Y3	AA3
Y5	AA5
Y7	Y8
Y9	Y10
Y11	Y12
Y13	Y14
Y15	Y16
Y17	Y18
Y19	Y20
Y22	AA22
Y24	AA24
AA2	AB2
AA4	AB4
AA6	AA7
AA8	AA9
AA10	AA11
AA12	AA13
AA14	AA15
AA16	AA17
AA18	AA19
AA20	AA21
AA23	AB23
AA25	AB25
AB1	AC1
AB3	AC3
AB5	AB6
AB7	AB8
AB9	AB10
AB11	AB12
AB13	AB14
AB15	AB16
AB17	AB18
AB19	AB20
AB21	AB22
AB24	AC24
AC2	AD2
AC4	AC5
AC6	AC7
AC8	AC9

PAD	PAD
AC10	AC11
AC12	AC13
AC14	AC15
AC16	AC17
AC18	AC19
AC20	AC21
AC22	AC23
AC25	AD25
AD1	AE1
AD3	AD4
AD5	AD6
AD7	AD8
AD9	AD10
AD11	AD12
AD13	AD14
AD15	AD16
AD17	AD18
AD19	AD20
AD21	AD22
AD23	AD24
AE2	AE3
AE4	AE5
AE6	AE7
AE8	AE9
AE10	AE11
AE12	AE13
AE14	AE15
AE16	AE17
AE18	AE19
AE20	AE21
AE22	AE23
AE24	AE25

PAD
A1

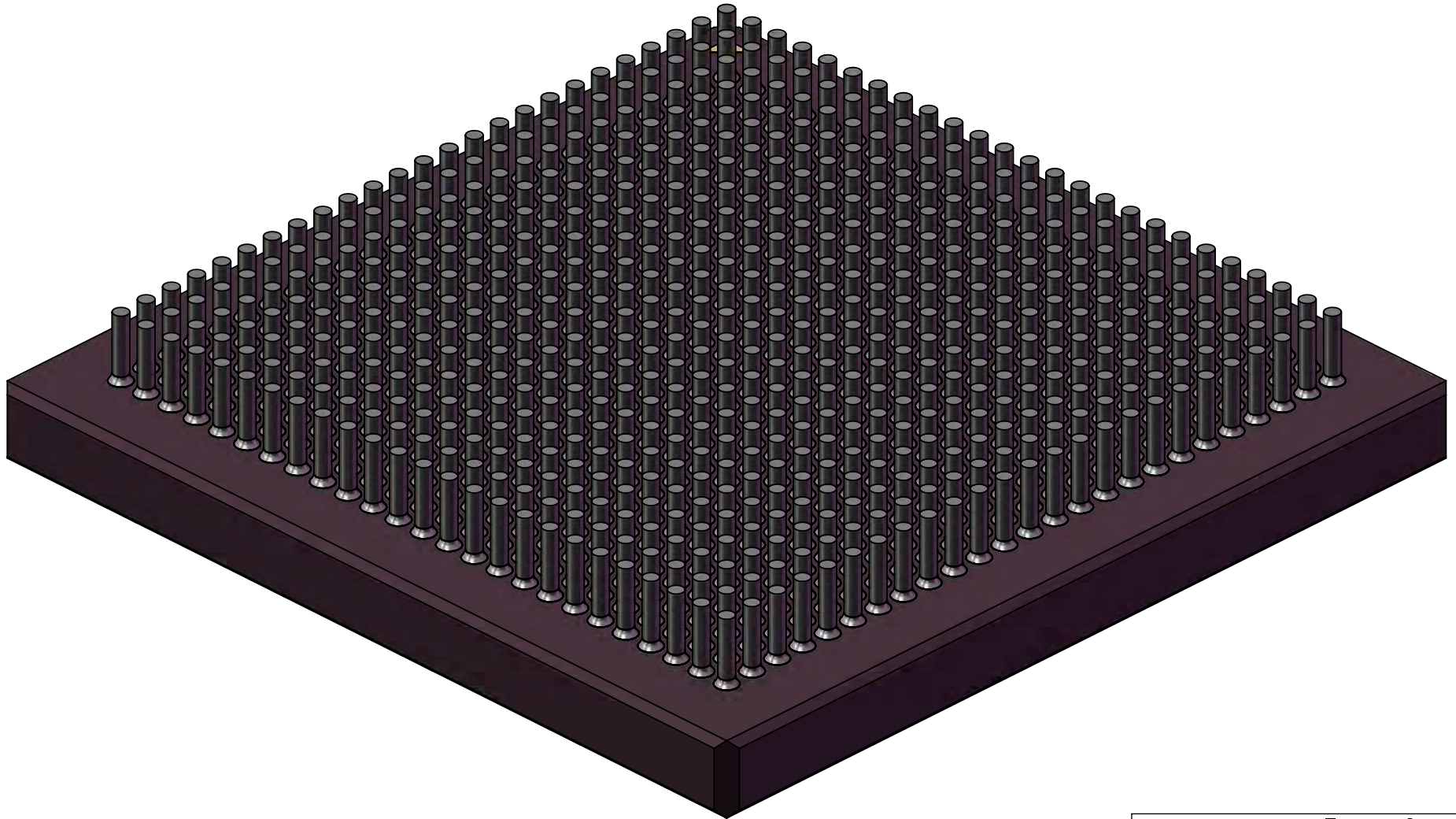
TopLine[®]			
TITLE		CCGA625 PITCH 1.0mm COLUMN GRID ARRAY	
SCALE	SIZE	DRAWING NO.	REV
NONE	A	160097	A
DO NOT SCALE DRAWING			SHEET 4 OF 6

**CCGA MODEL
WITH COLUMNS
TOP VIEW**



TopLine[®]			
TITLE		CCGA625 PITCH 1.0mm COLUMN GRID ARRAY	
SCALE	SIZE	DRAWING NO.	REV
6:1	A	160097	A
DO NOT SCALE DRAWING			SHEET 5 OF 6

**CCGA MODEL
Pb90 Sn10
PLAIN COLUMNS**



TopLine[®]

TITLE CCGA625 PITCH 1.0mm
COLUMN GRID ARRAY

SCALE 6:1	SIZE A	DRAWING NO. 160097	REV A
--------------	-----------	-----------------------	----------

DO NOT SCALE DRAWING SHEET 6 OF 6