

1.27 X 45°

0.40 X 45°
3 PLACES

PIN 1

0.635
[.025]
PITCH

0.203
[.008]
LEAD WIDTH
AFTER TRIM

BODY
ALLOY 42

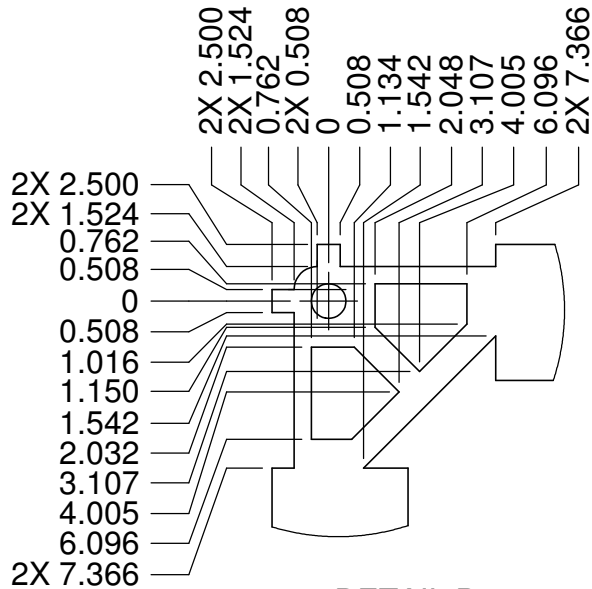
LEAD FRAME
ALLOY 42

2.30
2.70 MAX (INCLUDING LID)
SECTION A-A

- Notes: (Unless Otherwise Specified).
- 1) DIMENSIONS: MM [INCH]
 - 2) FLAT LEADS ON TIE BAR ALLOY 42.
 - 3) ALL EXPOSED METAL GOLD PLATED (Au).
 - 4) PINS = 100, METRIC LEAD PITCH = 0.635mm [0.025"].

| TOLERANCE UNLESS NOTED | | APPROVALS | DATE | | | | |
|---|-----------|----------------|-----------|--|------|-------------|-----|
| X.X | +/- 0.3 | DRAWN J. Hines | 2/11/2011 | TITLE CERQUAD100F25A-25X34 100 PIN - 0.025 INCH PITCH | | | |
| X.XX | +/- 0.03 | | | | | | |
| X.XXX | +/- 0.003 | | | | | | |
| ANGLES +/- 0.5° | | ENG | | SCALE | SIZE | DRAWING NO. | REV |
| ALL DIMENSIONS IN | | MFG | | 1.75:1 | A | 132100 | A |
| <input type="checkbox"/> INCHES <input checked="" type="checkbox"/> MILLIMETERS | | QA | | DO NOT SCALE DRAWING | | | |
| THIRD ANGLE PROJECTION | | CUST | | | | | |
| | | REVISED | | | | | |
| | | | | SHEET 1 OF 4 | | | |

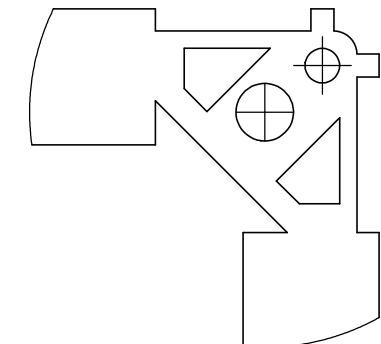
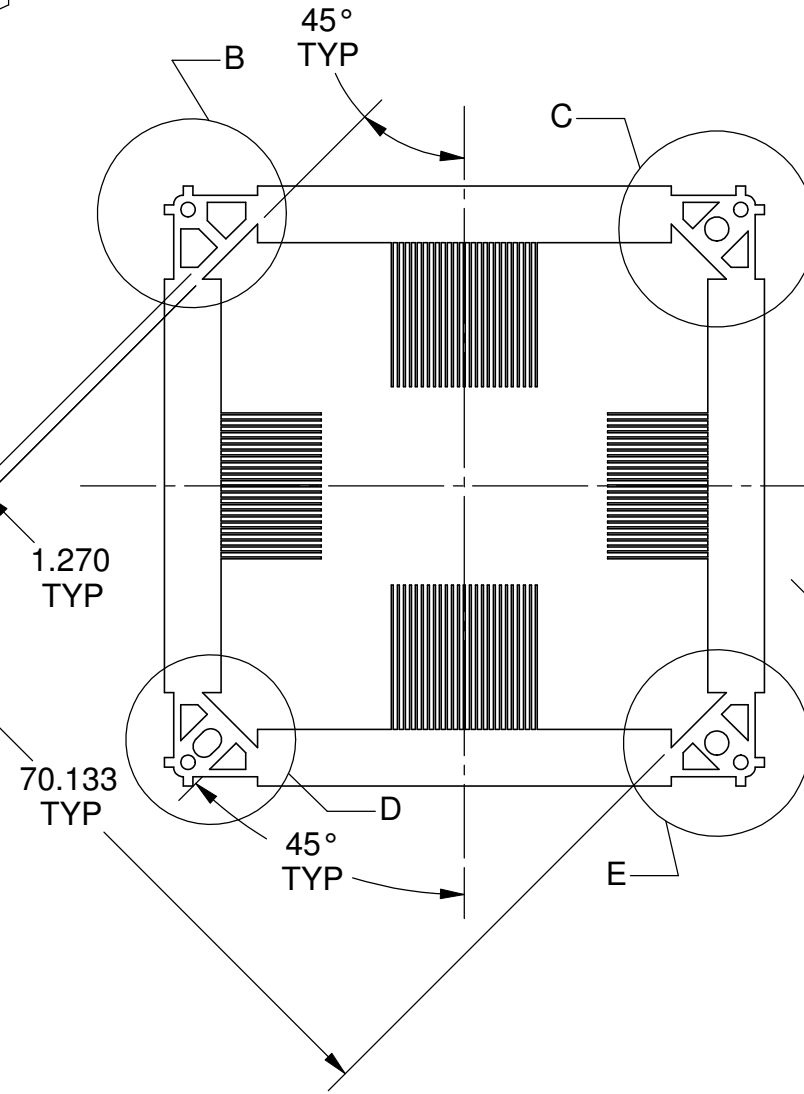
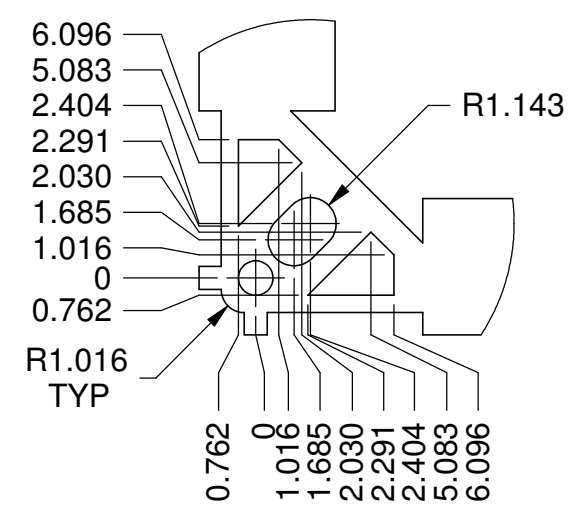
CERQUAD LEAD FRAME



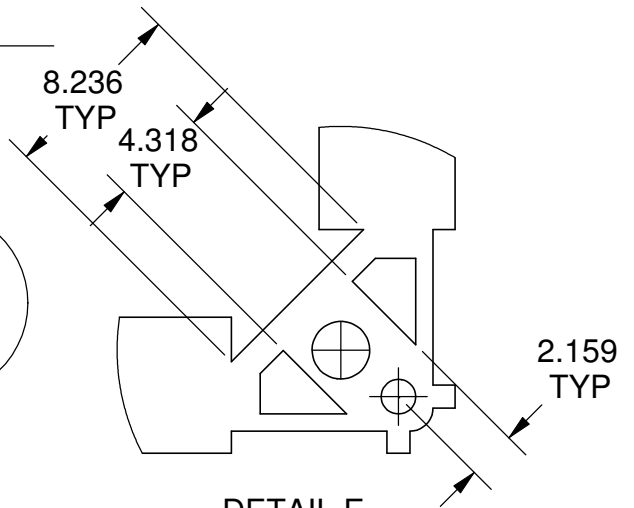
DETAIL B
SCALE 3 : 1

DETAIL D
SCALE 3 : 1

TYPICAL CORNER CUTOUTS
DIMENSIONED IN THIS DETAIL



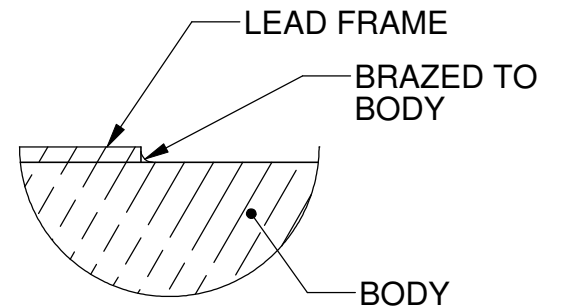
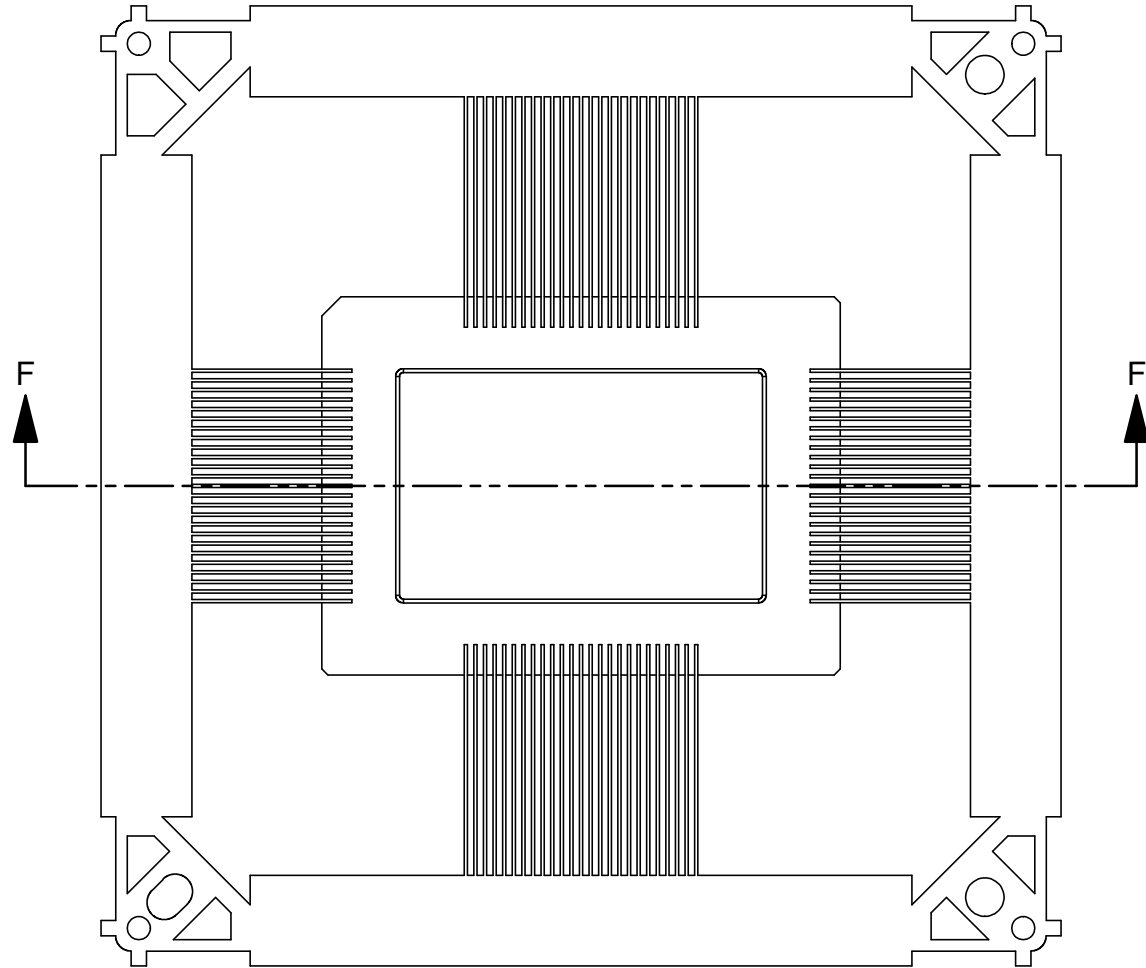
DETAIL C
SCALE 3 : 1



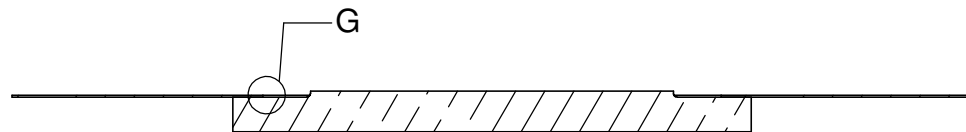
DETAIL E
SCALE 3 : 1

| | | | |
|--|-----------|-----------------------|----------|
| TopLine ® | | | |
| TITLE CERQUAD100F25A-25X34 100 PIN - 0.025 INCH PITCH | | | |
| SCALE 1.25:1 | SIZE A | DRAWING NO. 132100 | REV A |
| DO NOT SCALE DRAWING | | SHEET 2 OF 4 | |

CERQUAD LEAD FRAME



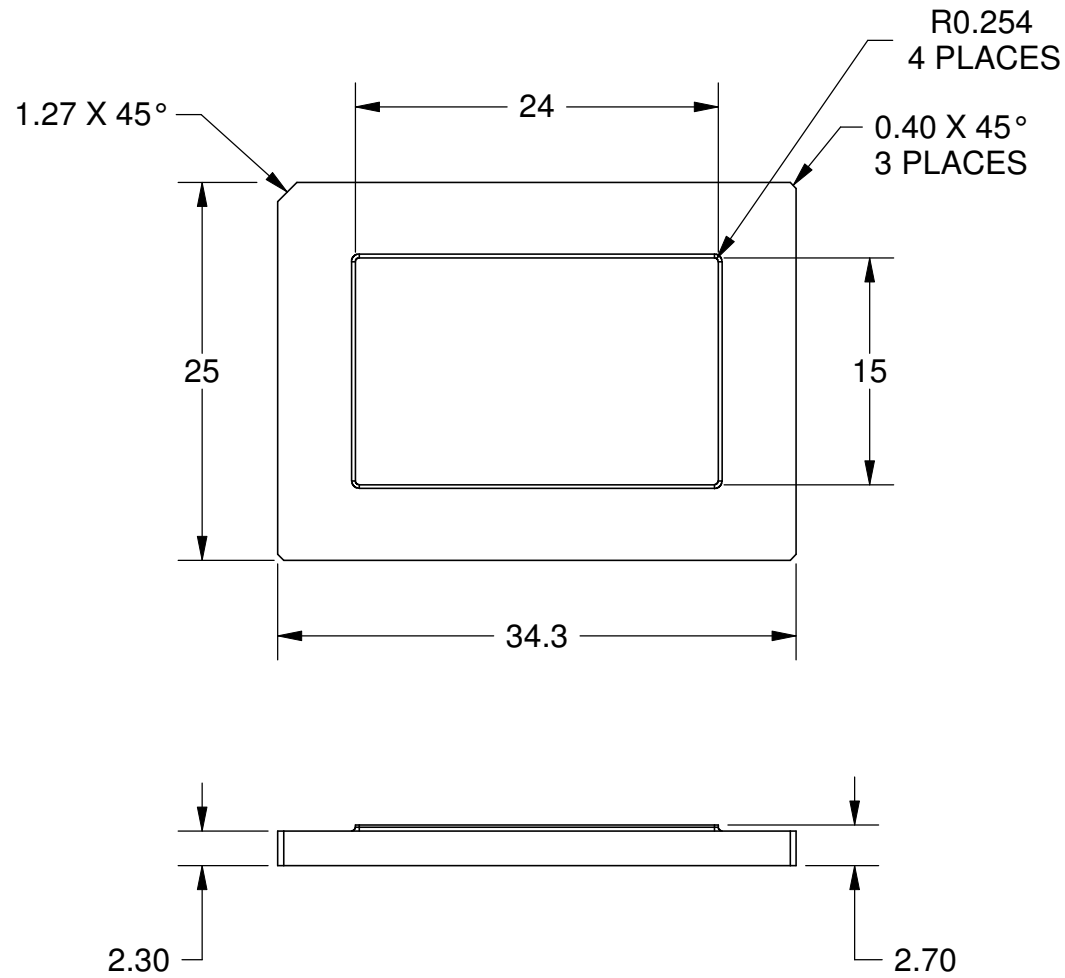
DETAIL G
SCALE 16 : 1



SECTION F-F

| | | | |
|--|-----------|-----------------------|----------|
| TopLine [®] | | | |
| TITLE CERQUAD100F25A-25X34 100 PIN - 0.025 INCH PITCH | | | |
| SCALE 2:1 | SIZE A | DRAWING NO. 132100 | REV A |
| DO NOT SCALE DRAWING | | SHEET 3 OF 4 | |

CERQUAD BODY



TopLine®

TITLE CERQUAD100F25A-25X34
100 PIN - 0.025 INCH PITCH

| SCALE | SIZE | DRAWING NO. | REV |
|-------|------|-------------|-----|
| 2:1 | A | 132100 | A |

DO NOT SCALE DRAWING

SHEET 4 OF 4