
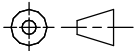
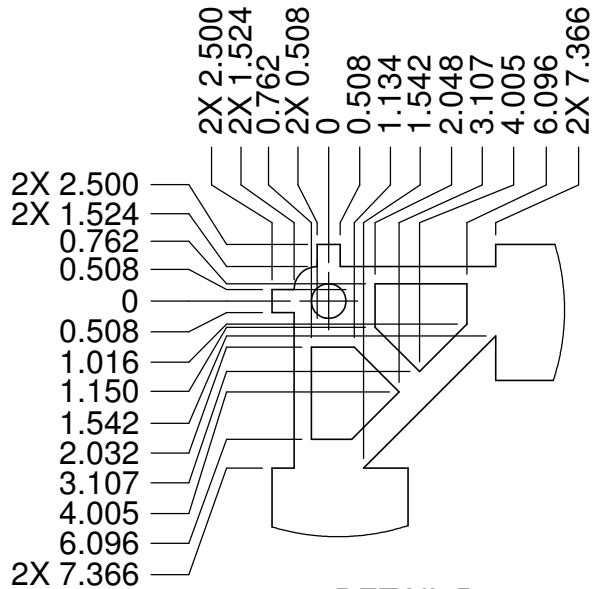


- Notes: (Unless Otherwise Specified).
- 1) DIMENSIONS: MM [INCH]
 - 2) FLAT LEADS ON ALLOY 42 TIE BAR.
 - 3) ALL EXPOSED METAL GOLD PLATED (Au).
 - 4) PINS = 196, METRIC LEAD PITCH = 0.635mm [0.025"].

TOLERANCE UNLESS NOTED		APPROVALS	DATE				
X.X	+/- 0.3	DRAWN J. Hines	11/12/2010				
X.XX	+/- 0.03						
X.XXX	+/- 0.003						
ANGLES +/- 0.5°		ENG		SCALE 1.75:1 SIZE A DRAWING NO. 132196 REV A			
ALL DIMENSIONS IN		MFG					
<input type="checkbox"/> INCHES <input checked="" type="checkbox"/> MILLIMETERS		QA		DO NOT SCALE DRAWING SHEET 1 OF 4			
		CUST					
		REVISED					

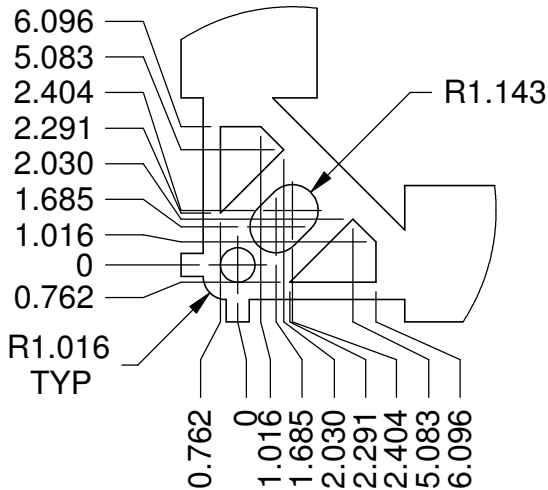
CERQUAD LEAD FRAME



DETAIL B
SCALE 3 : 1

DETAIL D
SCALE 3 : 1

TYPICAL CORNER CUTOUTS
DIMENSIONED IN THIS DETAIL

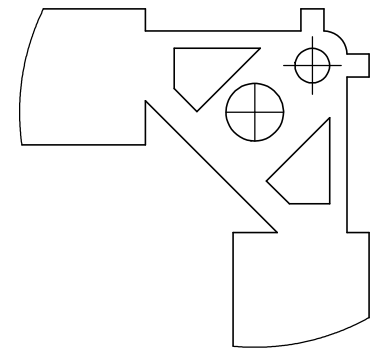


1.270
TYP

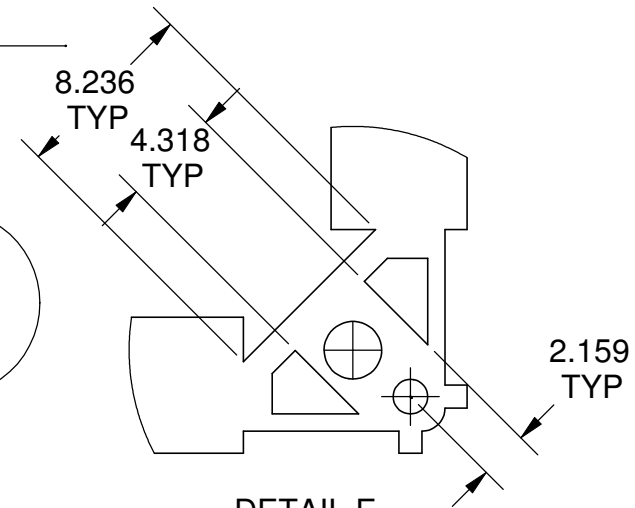
70.133
TYP

45°
TYP

45°
TYP



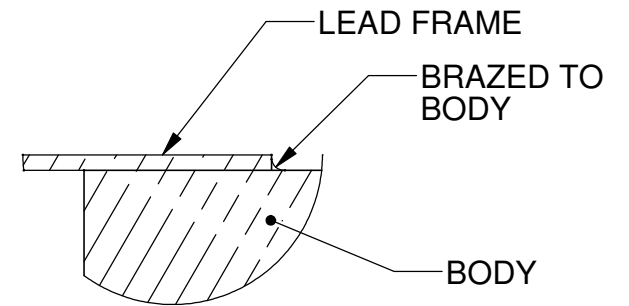
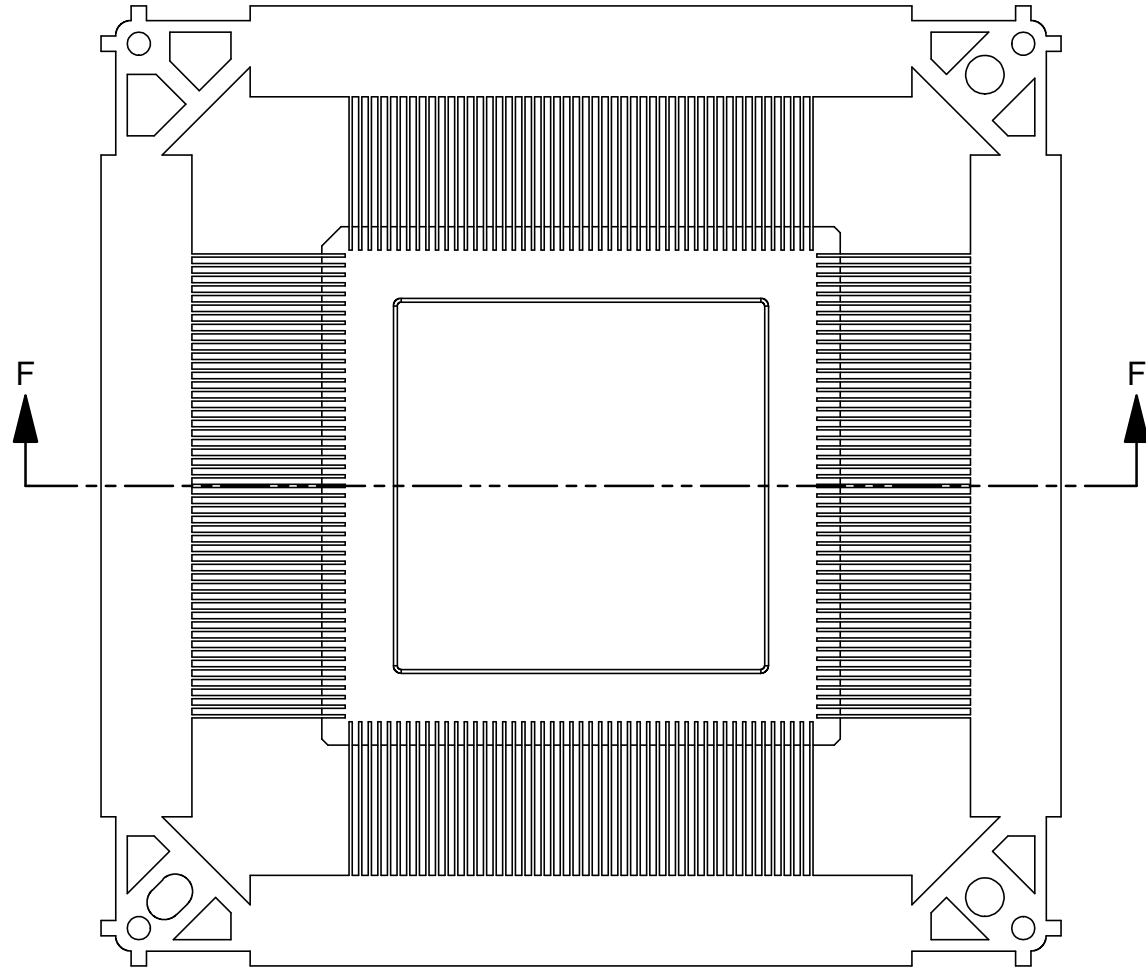
DETAIL C
SCALE 3 : 1



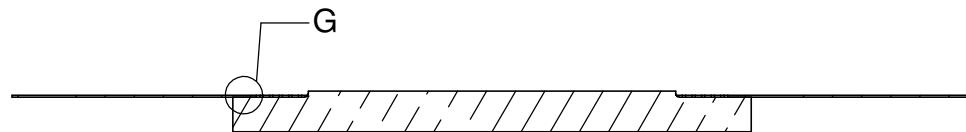
DETAIL E
SCALE 3 : 1

TopLine ®			
TITLE CERQUAD196F25A DUMMY 196 PIN - 0.025 INCH PITCH			
SCALE 1.25:1	SIZE A	DRAWING NO. 132196	REV A
DO NOT SCALE DRAWING		SHEET 2 OF 4	

CERQUAD LEAD FRAME



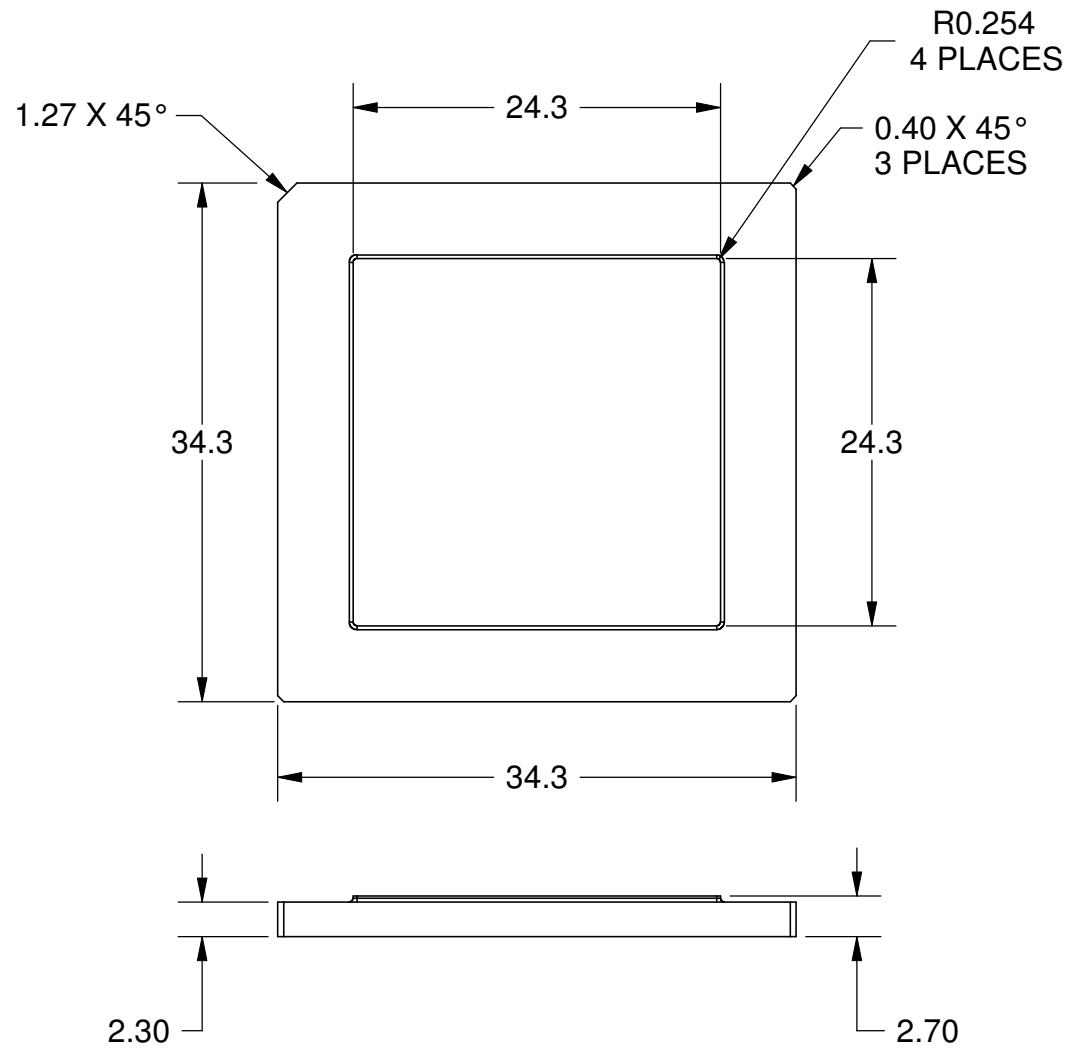
DETAIL G
SCALE 16 : 1



SECTION F-F

TopLine [®]			
TITLE CERQUAD196F25A DUMMY 196 PIN - 0.025 INCH PITCH			
SCALE 2:1	SIZE A	DRAWING NO. 132196	REV A
DO NOT SCALE DRAWING			SHEET 3 OF 4

CERQUAD BODY



TopLine®

TITLE CERQUAD196F25A DUMMY
196 PIN - 0.025 INCH PITCH

SCALE	SIZE	DRAWING NO.	REV
2:1	A	132196	A

DO NOT SCALE DRAWING

SHEET 4 OF 4