

1.27 X 45°

PIN 1

SECTION A-A

0.127  
[.005]

4.500

9

38

43.7

48

66

70

75

38

BODY  
ALLOY 42

LEAD FRAME  
ALLOY 42

2.30

2.70 MAX (INCLUDING LID)

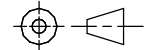
0.40 X 45°  
3 PLACES

0.50  
[.019685]  
PITCH

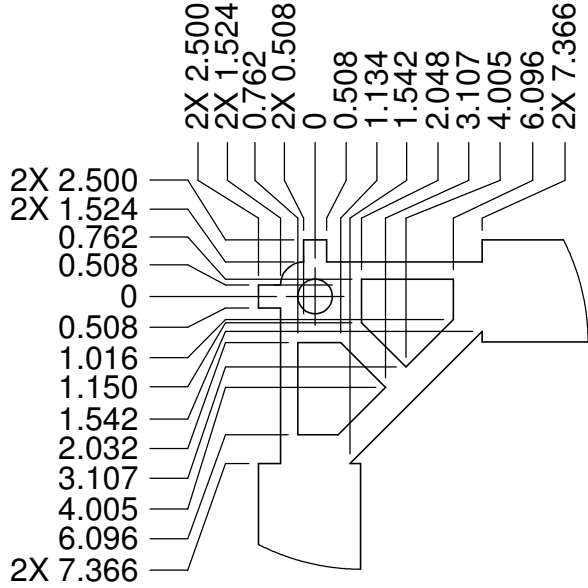
0.203  
[.008]  
LEAD WIDTH  
AFTER TRIM

- Notes: (Unless Otherwise Specified).
- 1) DIMENSIONS: MM [INCH]
  - 2) FLAT LEADS ON ALLOY 42 TIE BAR.
  - 3) ALL EXPOSED METAL GOLD PLATED (Au).
  - 4) PINS: 352, METRIC LEAD PITCH 0.5mm.

TOLERANCE UNLESS NOTED		APPROVALS	DATE	<b>TopLine</b> <sup>®</sup>			
X.X	+/- 0.3	DRAWN J. Hines	10/15/2010				
X.XX	+/- 0.03	ENG		352 PIN - 0.5mm PITCH			
X.XXX	+/- 0.003	MFG		SCALE	SIZE	DRAWING NO.	REV
ANGLES +/- 0.5°		QA		1.5:1	A	132352	A
ALL DIMENSIONS IN		CUST		DO NOT SCALE DRAWING			
<input type="checkbox"/> INCHES <input checked="" type="checkbox"/> MILLIMETERS		REVISED		SHEET 1 OF 4			
THIRD ANGLE PROJECTION							



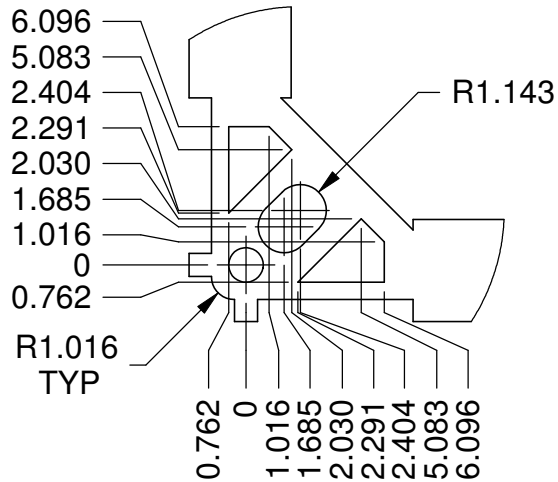
CERQUAD LEAD FRAME



DETAIL B  
SCALE 3 : 1

DETAIL D  
SCALE 3 : 1

TYPICAL CORNER CUTOUTS  
DIMENSIONED IN THIS DETAIL

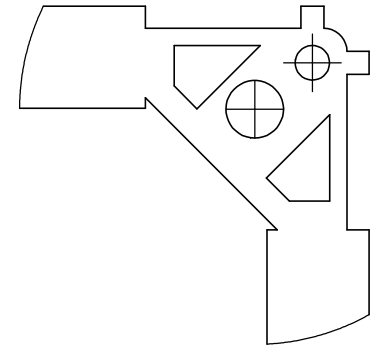


1.270  
TYP

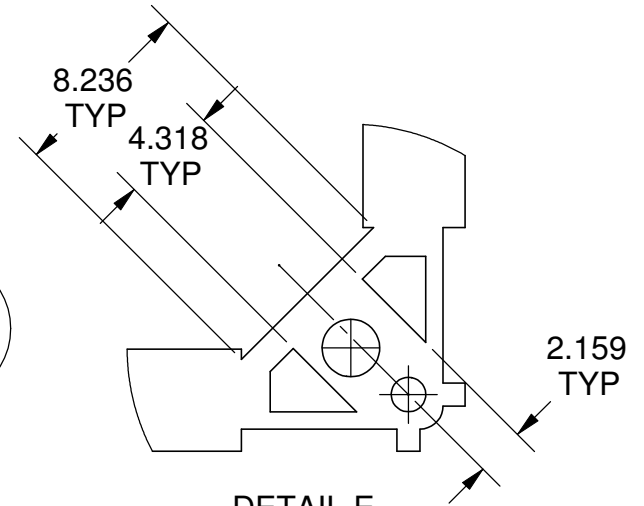
86.397  
TYP

45°  
TYP

45°  
TYP



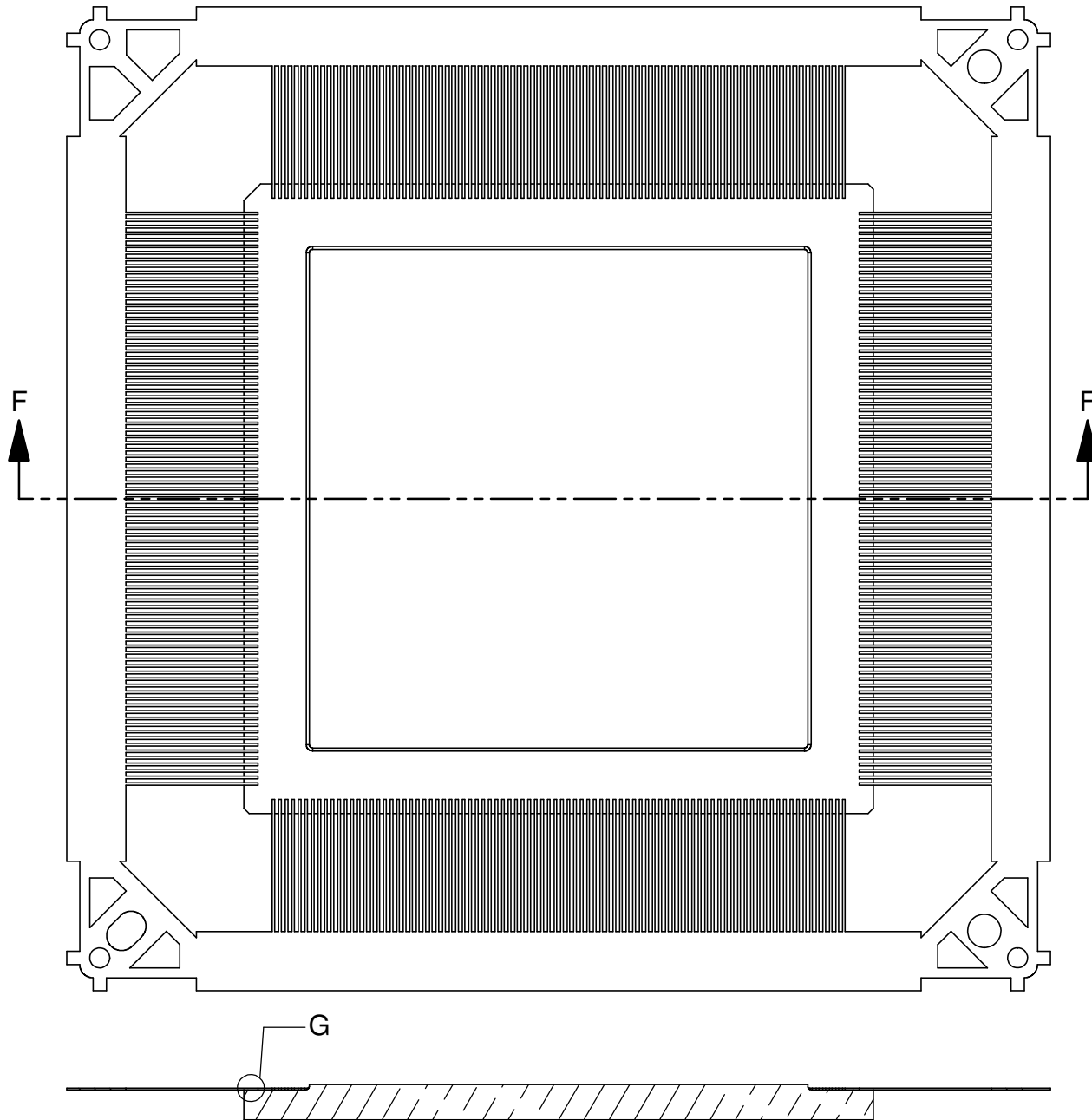
DETAIL C  
SCALE 3 : 1



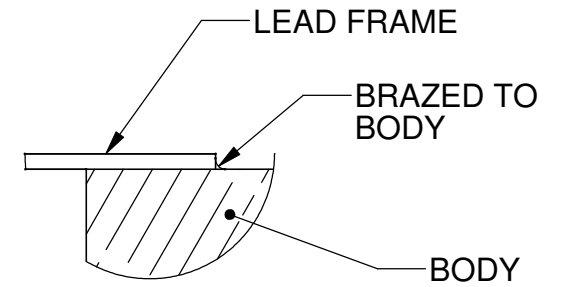
DETAIL E  
SCALE 3 : 1

<b>TopLine</b> <sup>®</sup>			
TITLE CERQUAD352F19.7A DUMMY 352 PIN - 0.5mm PITCH			
SCALE 1:1	SIZE A	DRAWING NO. 132352	REV A
DO NOT SCALE DRAWING		SHEET 2 OF 4	

# CERQUAD LEAD FRAME

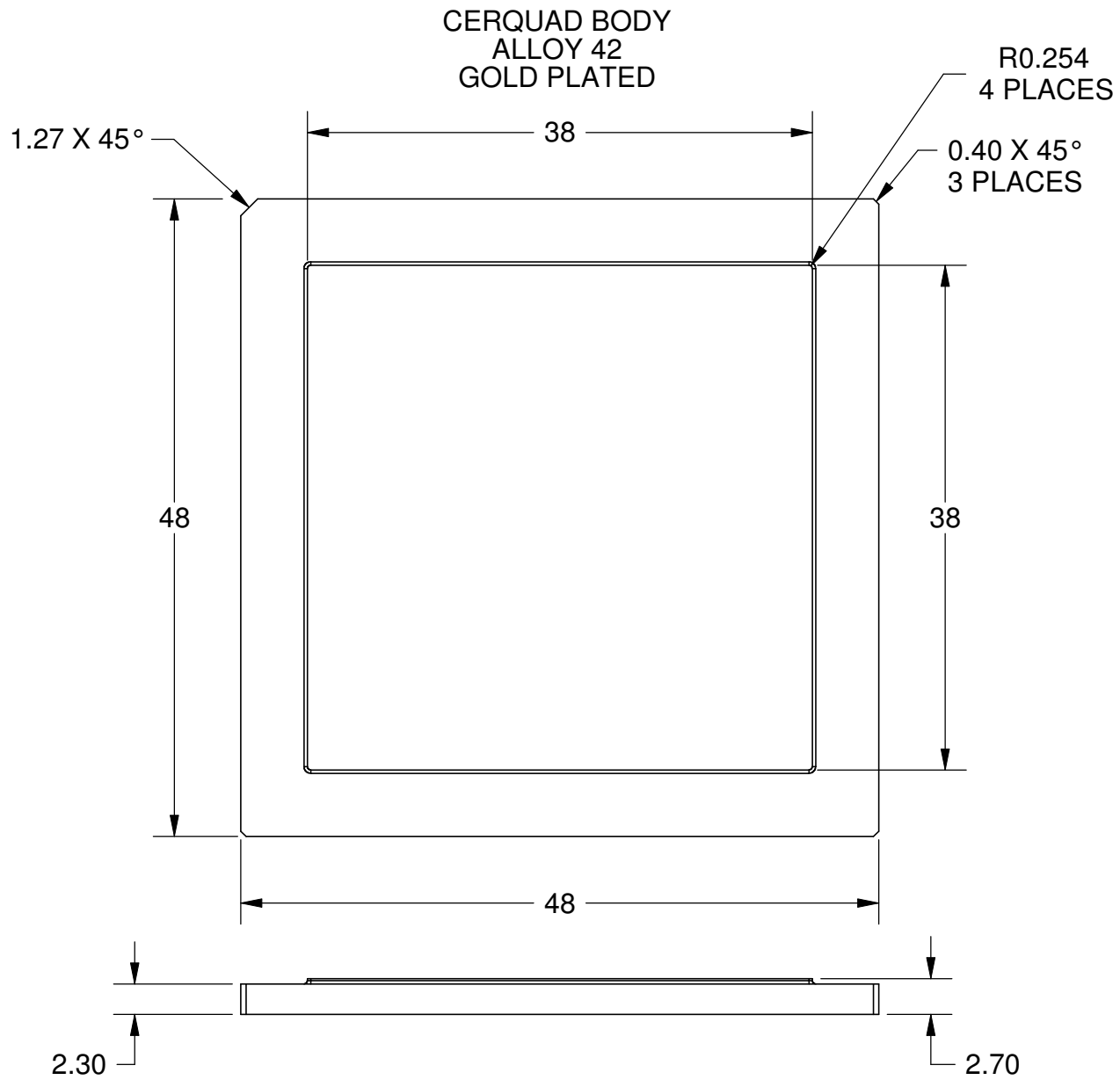


SECTION F-F



DETAIL G  
SCALE 16 : 1

<b>TopLine</b> <sup>®</sup>			
TITLE CERQUAD352F19.7A DUMMY 352 PIN - 0.5mm PITCH			
SCALE 2:1	SIZE A	DRAWING NO. 132352	REV A
DO NOT SCALE DRAWING		SHEET 3 OF 4	



<b>TopLine</b> ®			
TITLE CERQUAD352F19.7A DUMMY 352 PIN - 0.5mm PITCH			
SCALE 2:1	SIZE A	DRAWING NO. 132352	REV A
DO NOT SCALE DRAWING		SHEET 4 OF 4	