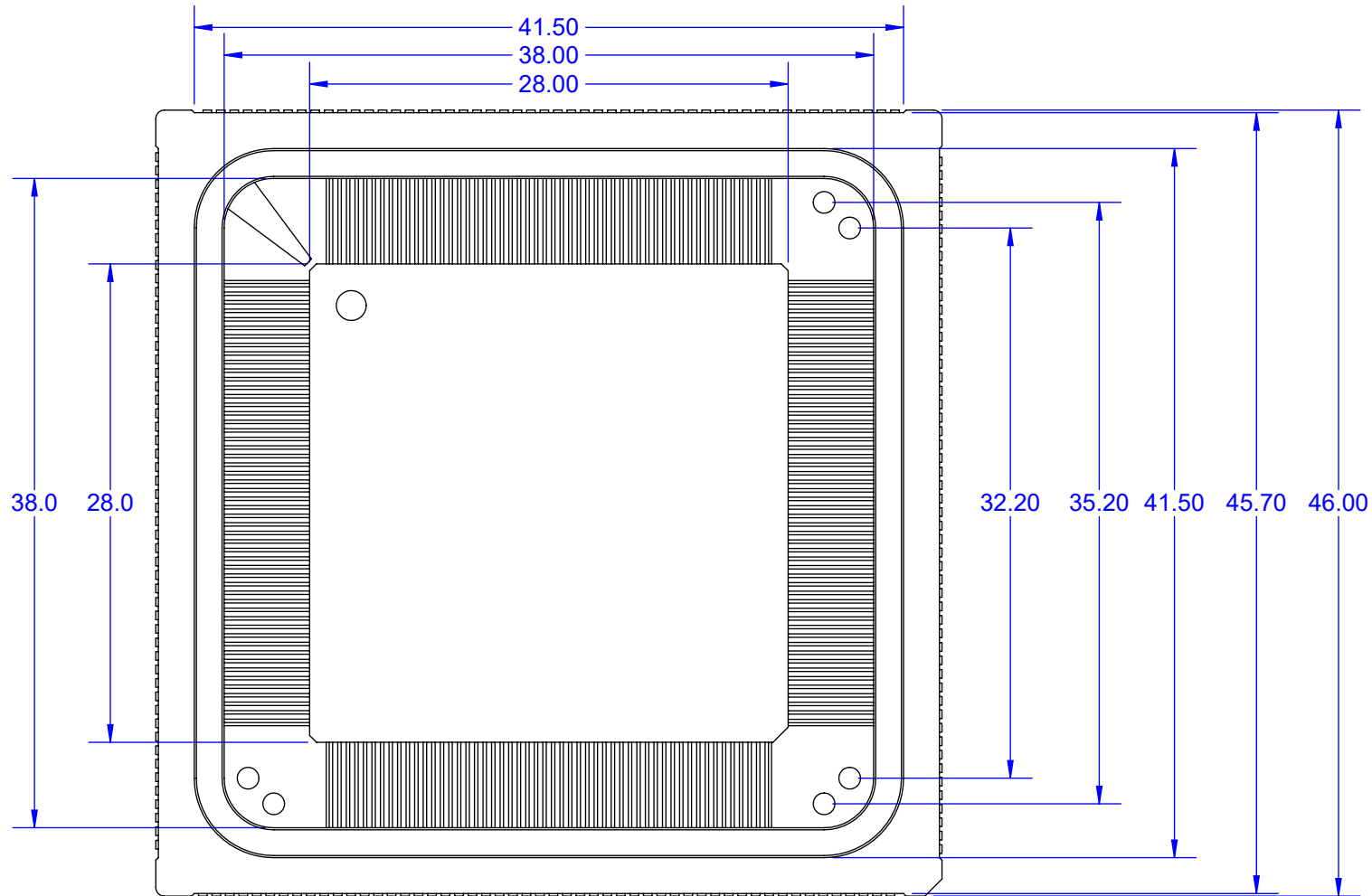
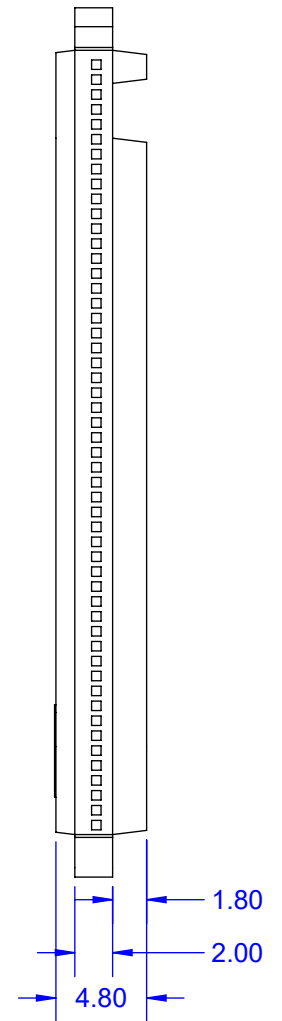


### TOP VIEW



### SIDE VIEW

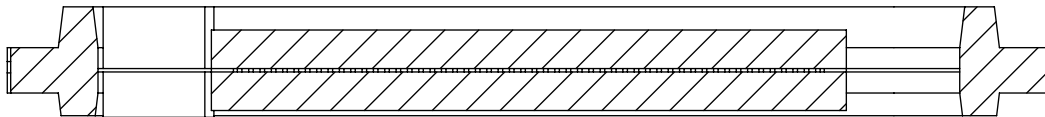
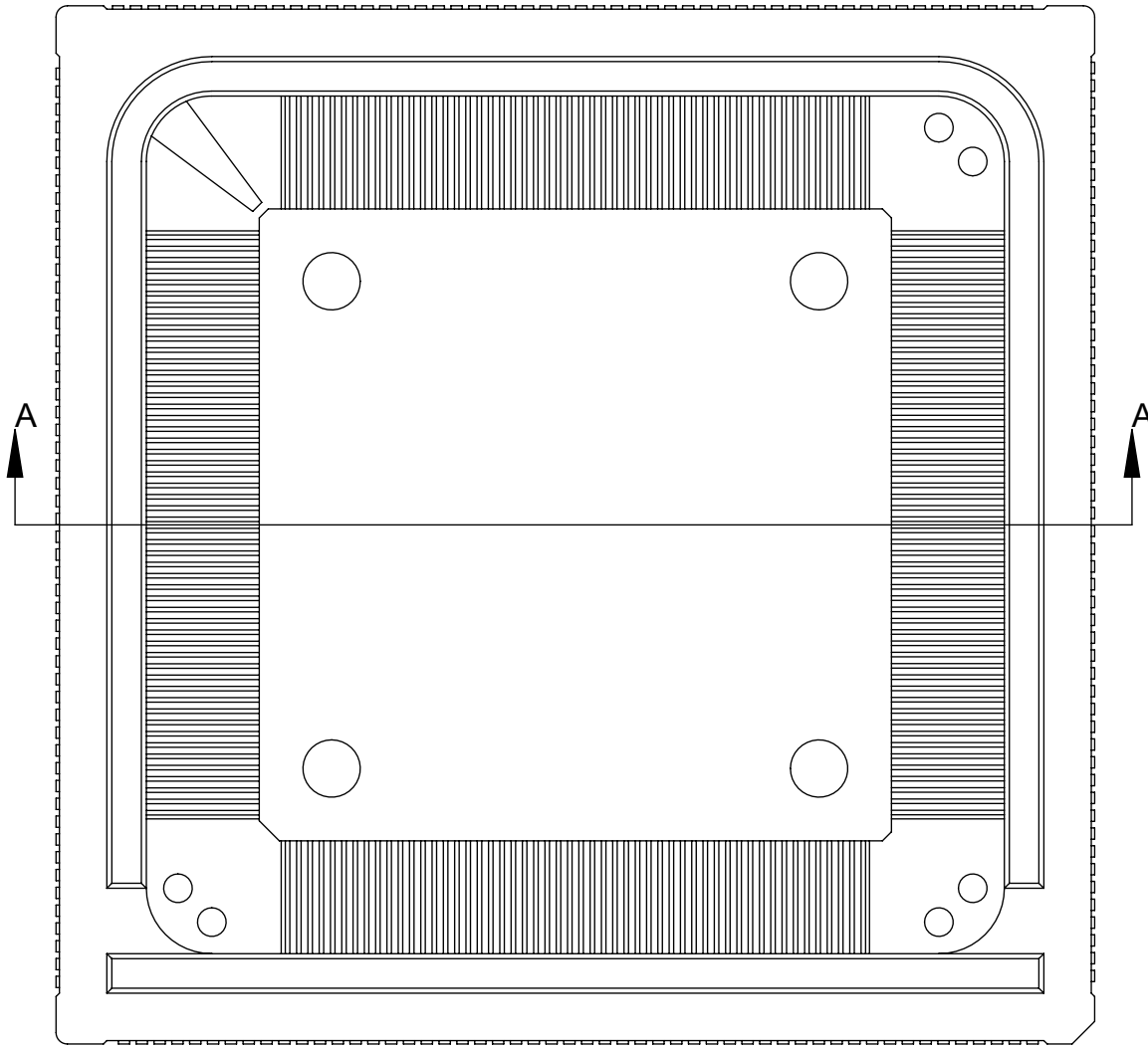


Notes: (Unless Otherwise Specified).

- 1) DIMENSIONS: MM [INCH].
- 2) COPPER A194 FLAT LEADS ON MOLDED BODY AND CARRIER RING.
- 3) ALL EXPOSED METAL PLATED Sn85/Pb15.

APPROVALS	DATE	<b>TopLine®</b>			
DRAWN T. Au	02/25/16				
ENG M. Hart	02/25/16	TITLE MCR208F19.7 208 PIN - 0.5mm PITCH			
MFG		SCALE	SIZE	DRAWING NO.	REV
QA		2.5:1	A	134208	A
CUST		DO NOT SCALE DRAWING			SHEET 1 OF 4
REVISED					

# BOTTOM VIEW



## SECTION A-A

**TopLine®**

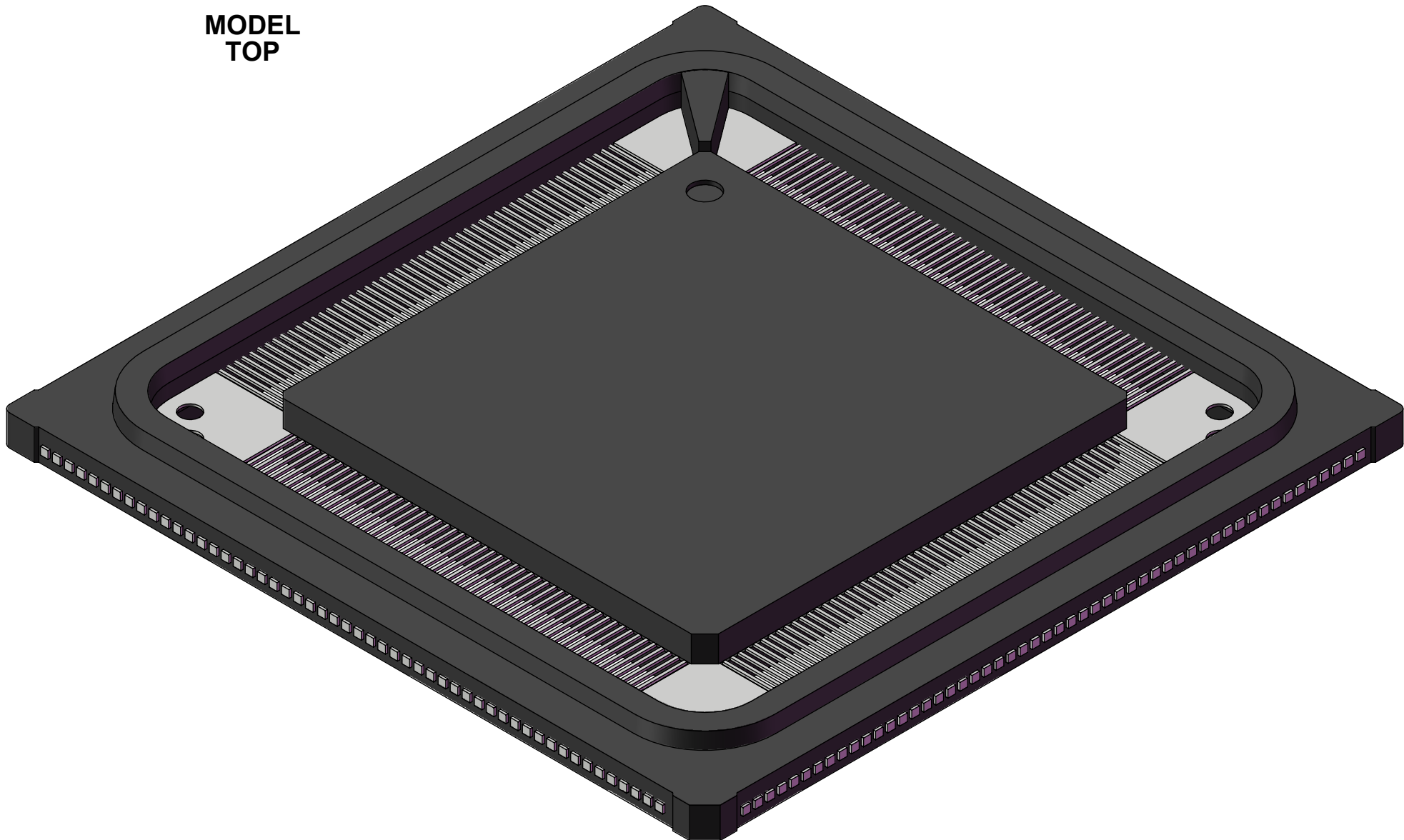
TITLE MCR208F19.7  
208 PIN - 0.5mm PITCH

SCALE	SIZE	DRAWING NO.	REV
3:1	A	134208	A

DO NOT SCALE DRAWING

SHEET 2 OF 4

MODEL  
TOP



**TopLine<sup>®</sup>**

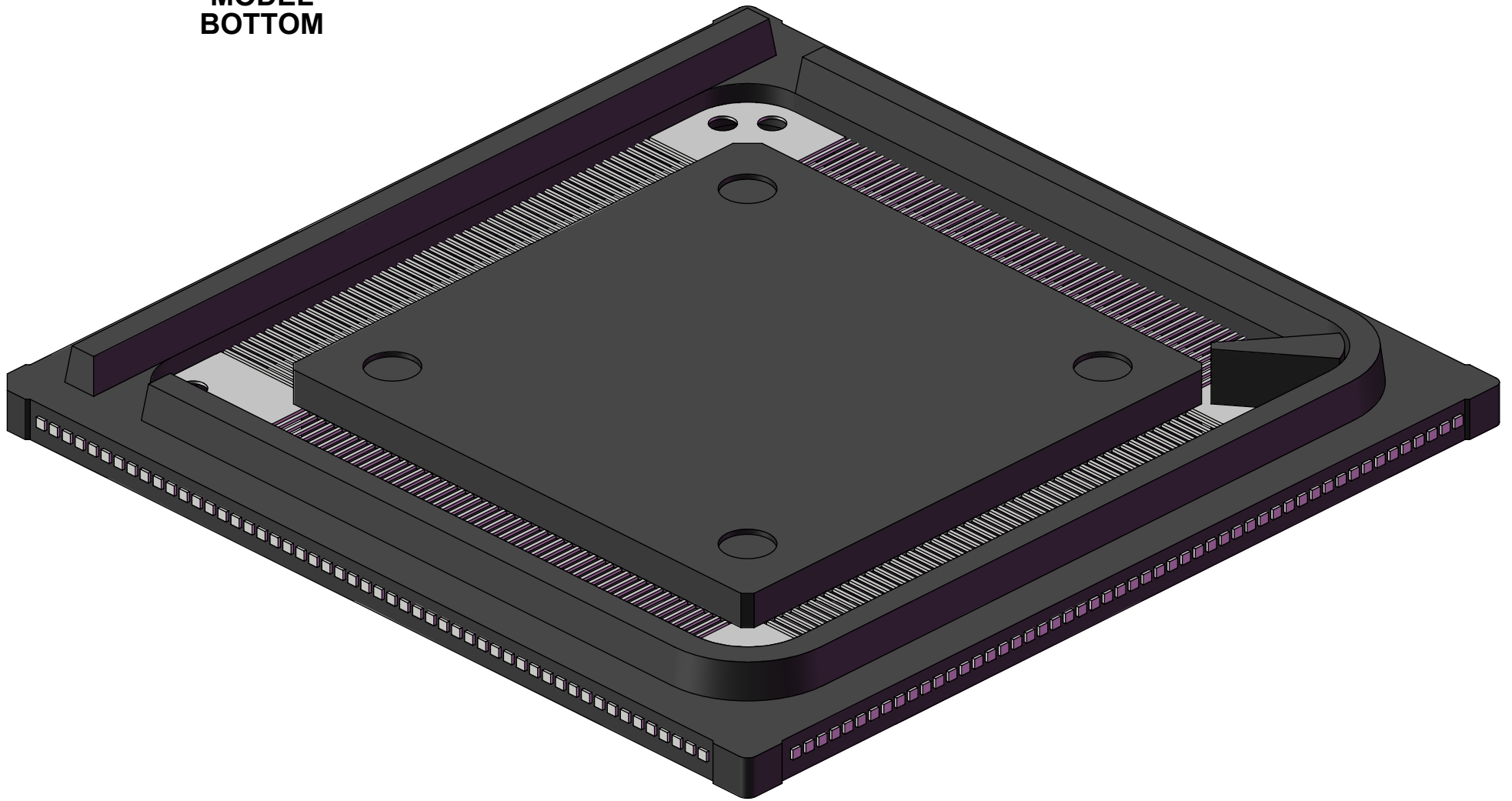
TITLE MCR208F19.7  
208 PIN - 0.5mm PITCH

SCALE 4:1	SIZE A	DRAWING NO. 134208	REV A
--------------	-----------	-----------------------	----------

DO NOT SCALE DRAWING

SHEET 3 OF 4

MODEL  
BOTTOM



**TopLine®**

TITLE MCR208F19.7  
208 PIN - 0.5mm PITCH

SCALE 3:1	SIZE A	DRAWING NO. 134208	REV A
--------------	-----------	-----------------------	----------

DO NOT SCALE DRAWING SHEET 4 OF 4