

SECTION A-A

D5 FH'BI A69F'H56 @

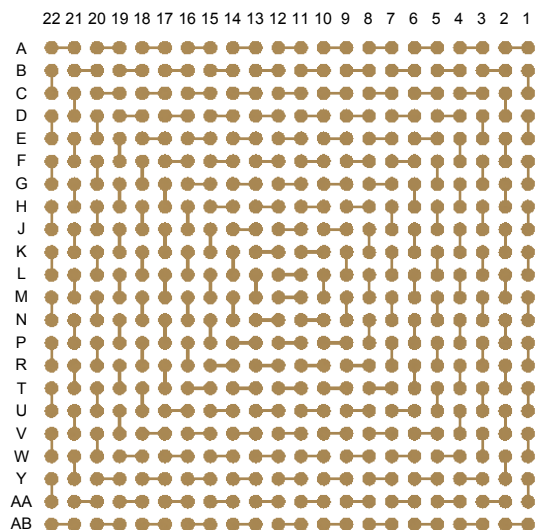
| | | | | |
|----------------------|--------------------|-------------------|----------------|--------------|
| D5 FH'BI A69F | 65 @05 @CM | 65 @05 @CM | Fc<G | G'8-9 |
| SBGA484T1.0C-DC229AD | Sn96.5/Ag3.0/Cu0.5 | SAC305 | YES | YES |
| SBGA484T1.0-DC229AD | Sn63/Pb37 | Sn63 | NO | YES |

Notes: (Unless Otherwise Specified).

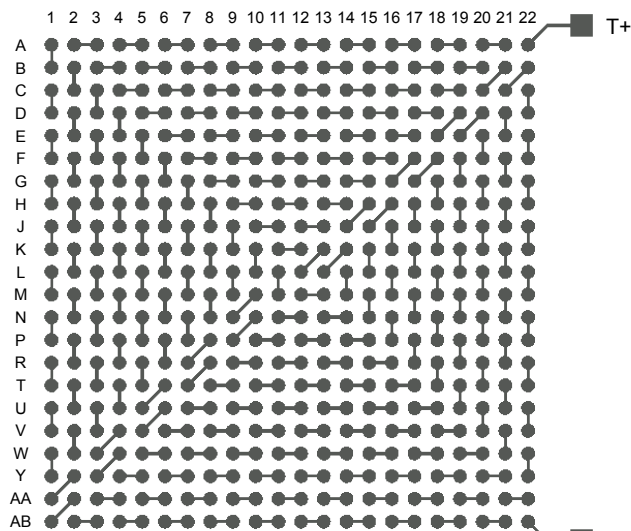
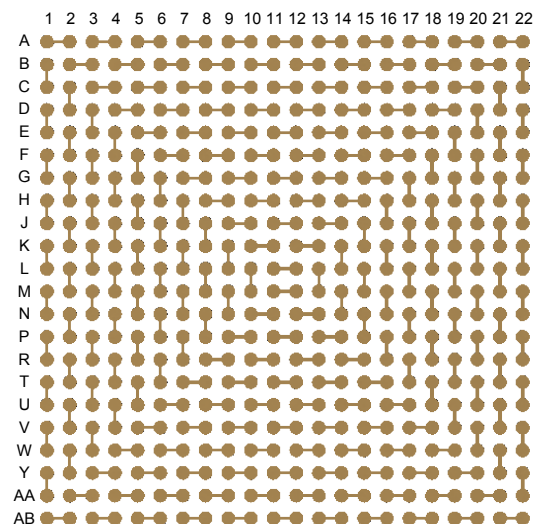
- 1) ALL DIMENSIONS ARE IN MM.
- 2) SOLDER BALL ALLOY: SEE PART NUMBER TABLE.
- 3) BALL DIAMETER (BEFORE REFLOW): 0.636mm [25 MIL].
- 4) SOLDER MASK DEFINED PAD OPENING: 0.508mm [20 MIL].
- 5) PAD Cu DIAMETER: 0.636mm [25 MIL].
- 6) SUBSTRATE MATERIAL: FR4 (ALTERNATE BT).
- 7) DUMMY DIE IS OPTIONAL.
- 8) DAISY CHAIN PATTERN (SEE PAGE 2).
- 9) MSL-3 RECOMMENDED BAKING 24 HOURS @ 125°C TO REMOVE MOISTURE PRIOR TO SOLDERING TO PC BOARD.

| | | | | | |
|-------------|-----------|---|------|-------------|--------------|
| APPROVALS | DATE | TopLine® | | | |
| DRAWN T. Au | 9/26/2017 | | | | |
| ENG M. Hart | 9/26/2017 | TITLE SBGA484T1.0C-DC229AD DAISY CHAIN DUMMY | | | |
| MFG | | SCALE | SIZE | DRAWING NO. | REV |
| QA | | 3.5:1 | A | 512295 | A |
| CUST | | DO NOT SCALE DRAWING | | | SHEET 1 OF 5 |
| REVISED | | | | | |

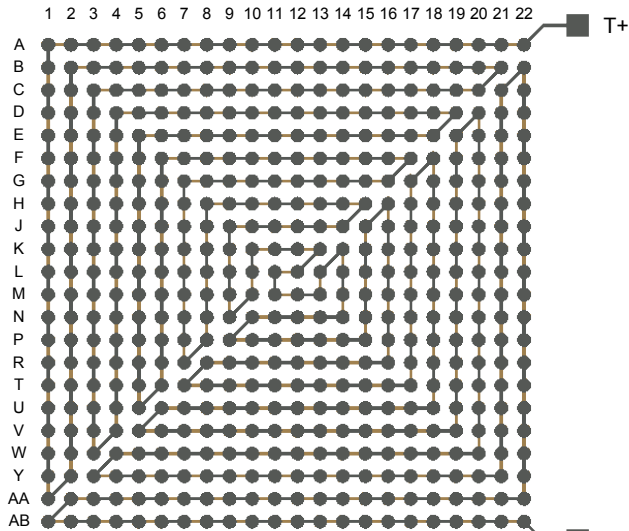
BALL VIEW



BOTTOM SIDE (TOP X-RAY VIEW)



TEST VEHICLE BOARD



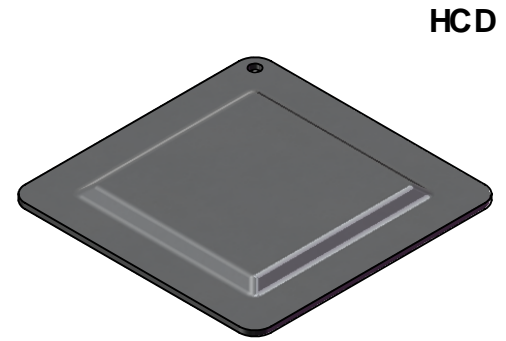
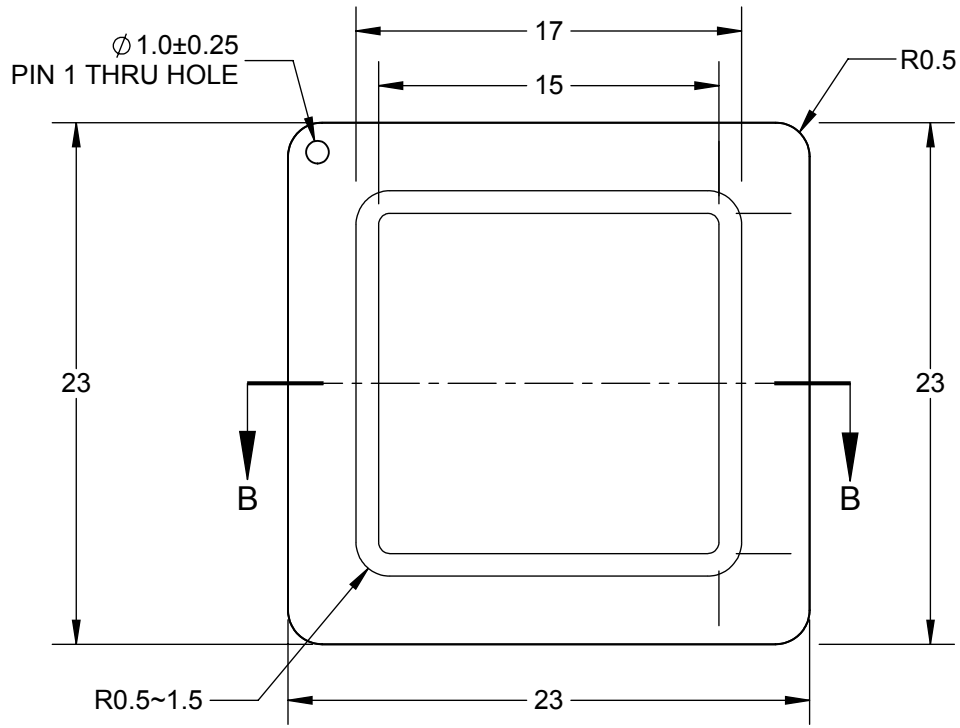
AFTER MOUNTING

Notes:

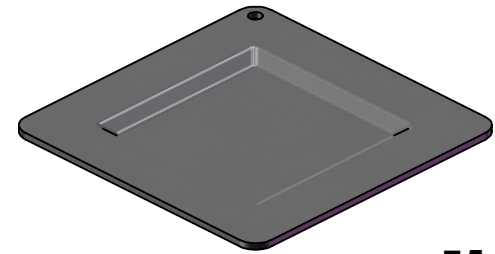
- 1) PCB BOARD DIMENSIONS ARE PRESENTED ONLY AS A GUIDELINE. DESIGNERS SHOULD USE THEIR OWN EXPERIENCE WHEN DESIGNING PCB.
- 2) PCB Cu BALL PAD DIAMETER 0.636mm [25 MIL].
- 3) PCB DAISY CHAIN TRACING LINE WIDTH 0.152mm [6 MIL].
- 4) SMD (SOLDER MASK DEFINED) PAD OPENING 0.33mm [13 MIL].



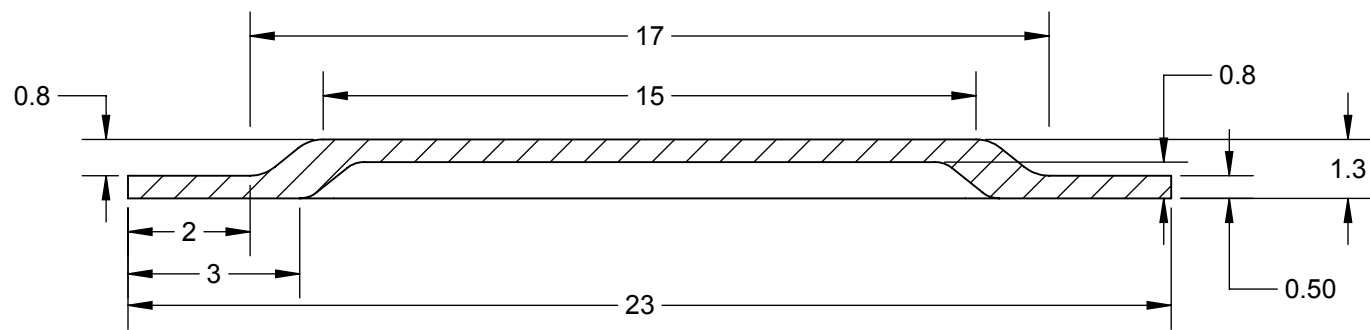
| | | | |
|---|------|-------------|--------------|
| TITLE | | | |
| SBGA484T1.0C-DC229AD DAISY CHAIN DUMMY | | | |
| SCALE | SIZE | DRAWING NO. | REV |
| 3:1 | A | 512295 | A |
| DO NOT SCALE DRAWING | | | SHEET 2 OF 5 |



AC89@



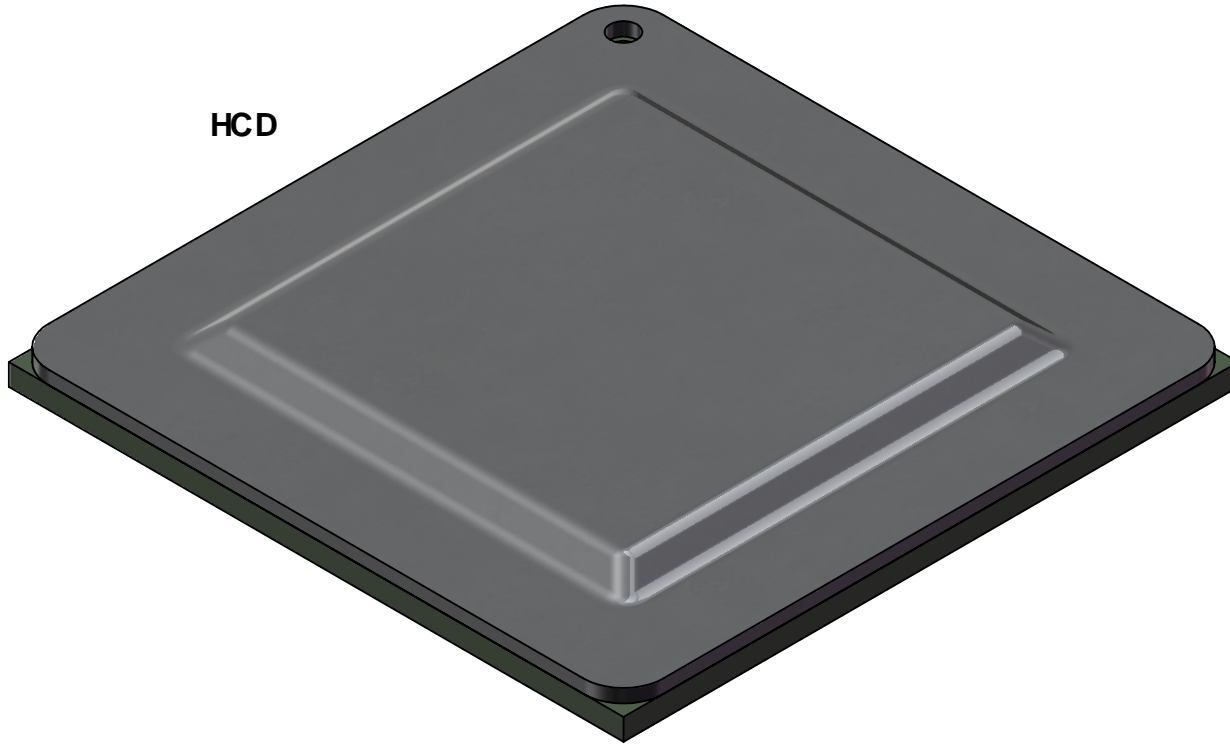
75J+M



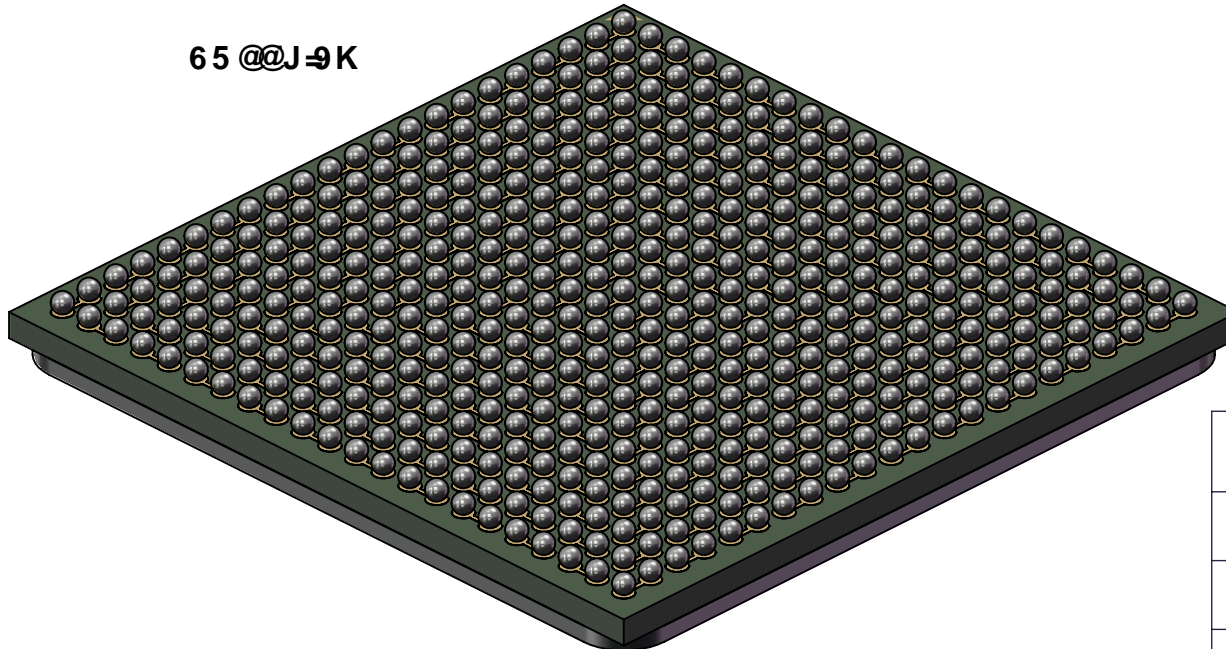
SECTION B-B
SCALE 6 : 1

| | | | |
|----------------------|------|---|--------------|
| TopLine® | | | |
| TITLE | | SBGA484T1.0C-DC229AD DAISY CHAIN DUMMY | |
| SCALE | SIZE | DRAWING NO. | REV |
| | A | 512295 | A |
| DO NOT SCALE DRAWING | | | SHEET 3 OF 5 |

HCD



65 @@J-K



TopLine[®]

TITLE SBGA484T1.0C-DC229AD
DAISY CHAIN DUMMY

| | | | |
|-------|-----------|-----------------------|----------|
| SCALE | SIZE A | DRAWING NO. 512295 | REV A |
|-------|-----------|-----------------------|----------|

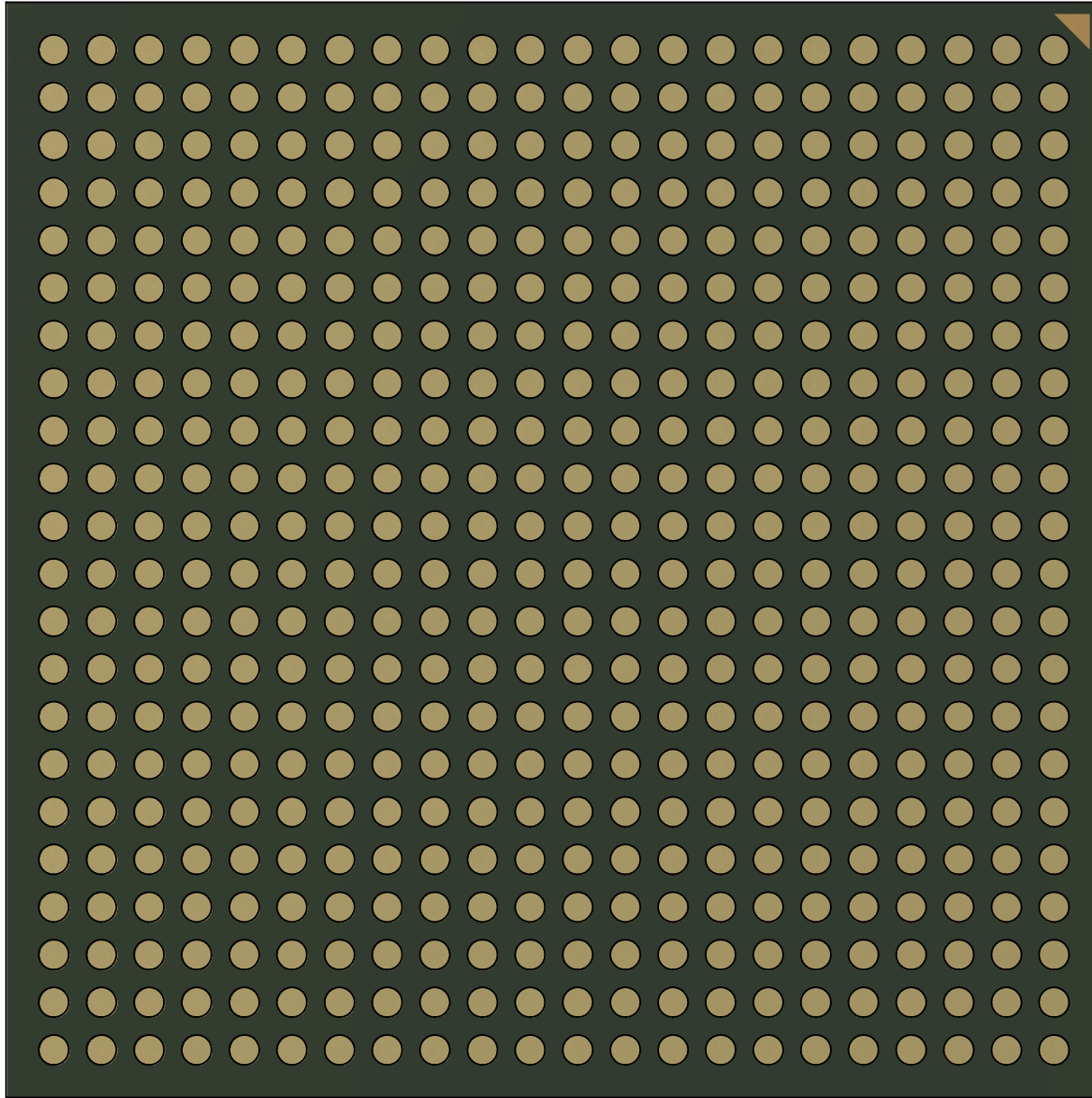
DO NOT SCALE DRAWING

SHEET 4 OF 5

6 CHHCA GC @ 9F A5 G?
fF > < HF958 B; L

22 21 20 19 18 17 16 15 14 13 12 11 10 9 8 7 6 5 4 3 2 1

A
B
C
D
E
F
G
H
J
K
L
M
N
P
R
T
U
V
W
Y
AA
AB



| | | | |
|----------------------|------|---|--------------|
| TopLine® | | | |
| TITLE | | SBGA484T1.0C-DC229AD DAISY CHAIN DUMMY | |
| SCALE | SIZE | DRAWING NO. | REV |
| 7:1 | A | 512295 | A |
| DO NOT SCALE DRAWING | | | SHEET 5 OF 5 |