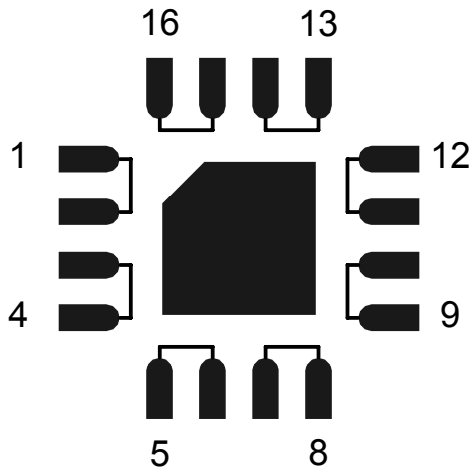


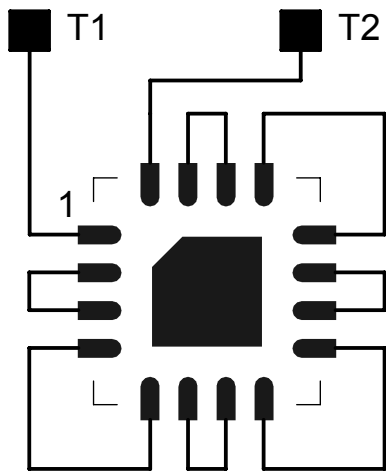
16L QFN DAISY CHAIN TOP VIEW

QFN DAISY CHAIN
INTERNAL CONNECTIONS

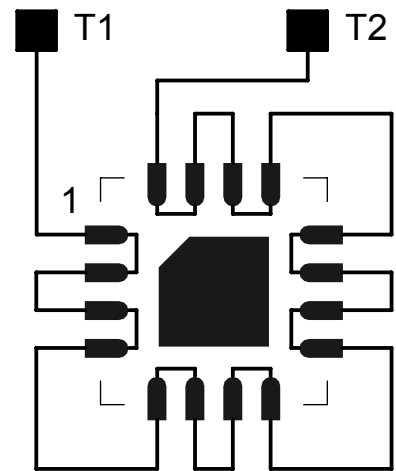


DAISY CHAIN
NET LIST

PINS	PINS
1 ~ 2	3 ~ 4
5 ~ 6	7 ~ 8
9 ~ 10	11 ~ 12
13 ~ 14	15 ~ 16



RECOMMENDED
PCB PADS



AFTER MOUNTING
ON PCB

NOTES:

1. DAISY CHAIN WIRE BONDED TO INTERNAL PADS.
2. SEE NET LIST FOR CONNECTIONS BETWEEN PINS.
3. DRAWING NOT TO SCALE.

TopLine®

TITLE 16L QFN - DAISY CHAIN
PIN CONNECTIONS

SCALE	SIZE	DRAWING NO.	REV
	A	121617	A

DO NOT SCALE DRAWING

SHEET 1 OF 1