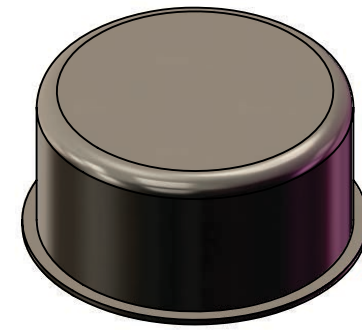
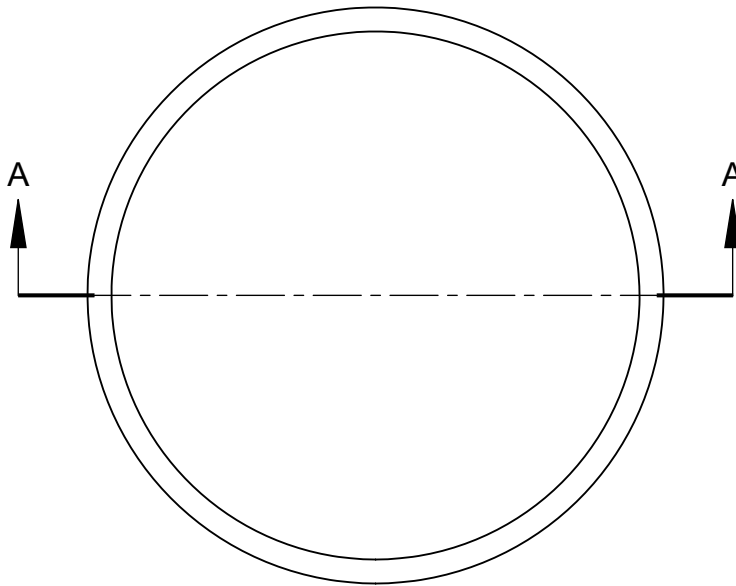
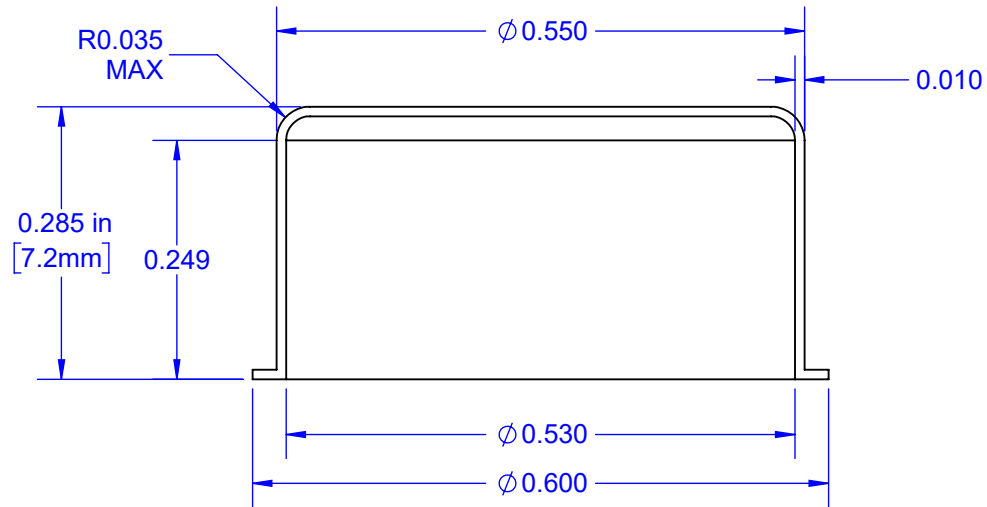


### SECTION A-A



**MODEL**

Notes: (Unless Otherwise Specified)

- 1) CAN - CAP LID FOR TO-8.
- 2) NICKEL PLATED KOVAR.
- 3) WITHOUT WELD PROJECTION.
- 4) DIMENSIONS IN INCH.

APPROVALS	DATE	<b>TopLine<sup>®</sup></b>			
DRAWN T. Au	3/23/2022				
ENG M. Hart	3/23/2022	TITLE TO-8 CAN 0.285" HIGH			
MFG		SCALE	SIZE	DRAWING NO.	REV
QA		5:1	A	167451	A
CUST		DO NOT SCALE DRAWING			SHEET 1 OF 1
REVISED					