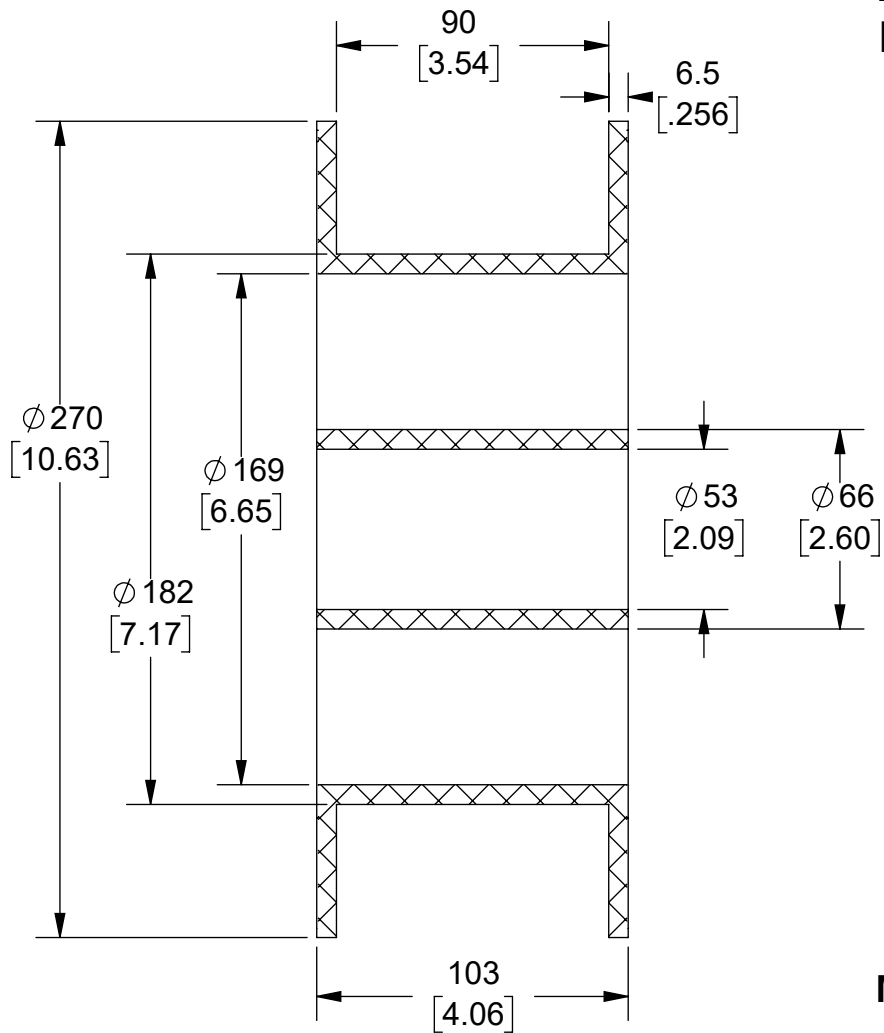
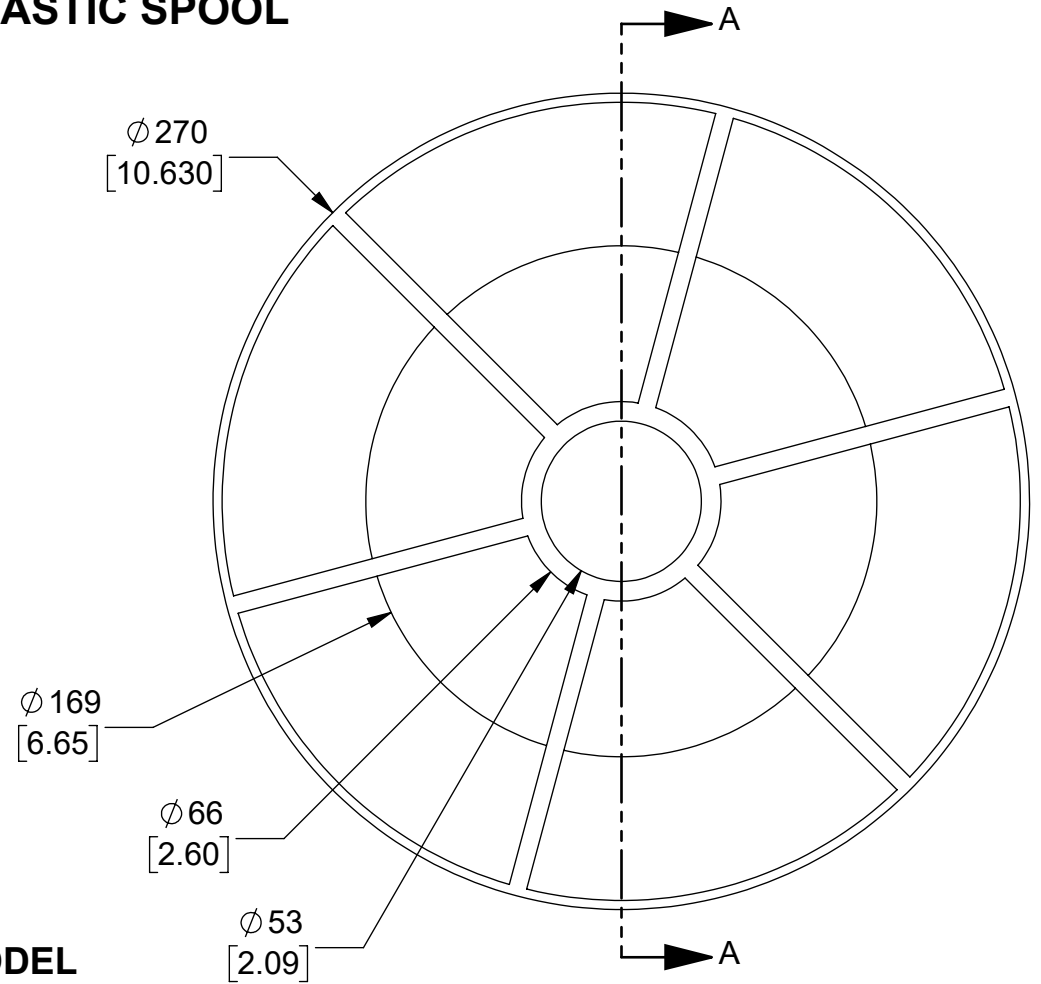
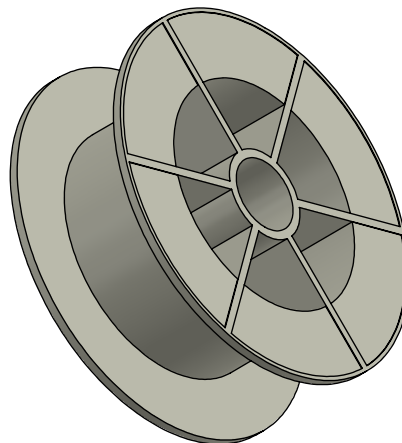


# TANAKA X00010 PLASTIC SPOOL




SECTION A-A  
SCALE 1 : 2.5

MODEL



- NOTES: (UNLESS OTHERWISE SPECIFIED).  
 1) DIMENSIONS: MM [INCH].  
 2) MATERIAL: ABS RESIN.  
 3) COLOR: WHITE.

APPROVALS		DATE				
DRAWN	T. Au	10/27/2019				
ENG	M. Hart	10/27/2019	SCALE		SIZE	DRAWING NO.
MFG			1:1	A	400145	REV
QA						A
CUST						
REVISED			DO NOT SCALE DRAWING			SHEET 1 OF 1