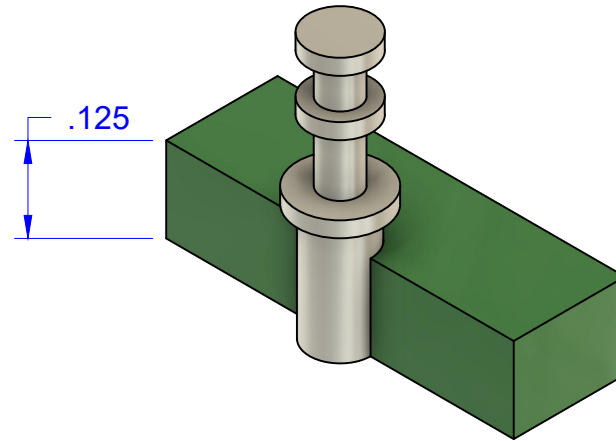
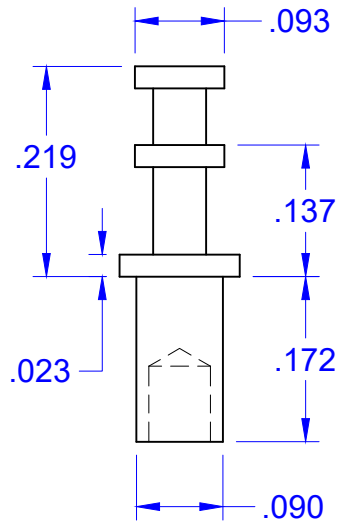
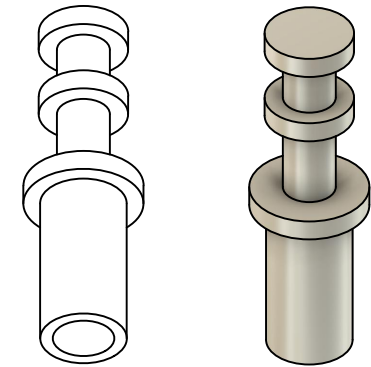
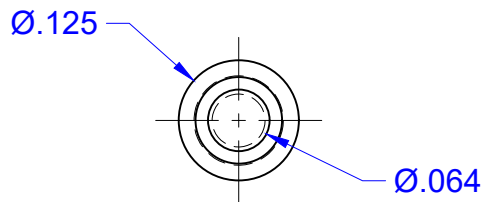


TURRET TERMINAL A 0.125" THICK BOARD

MODELS




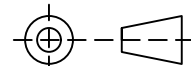
MOUNTED ON BOARD



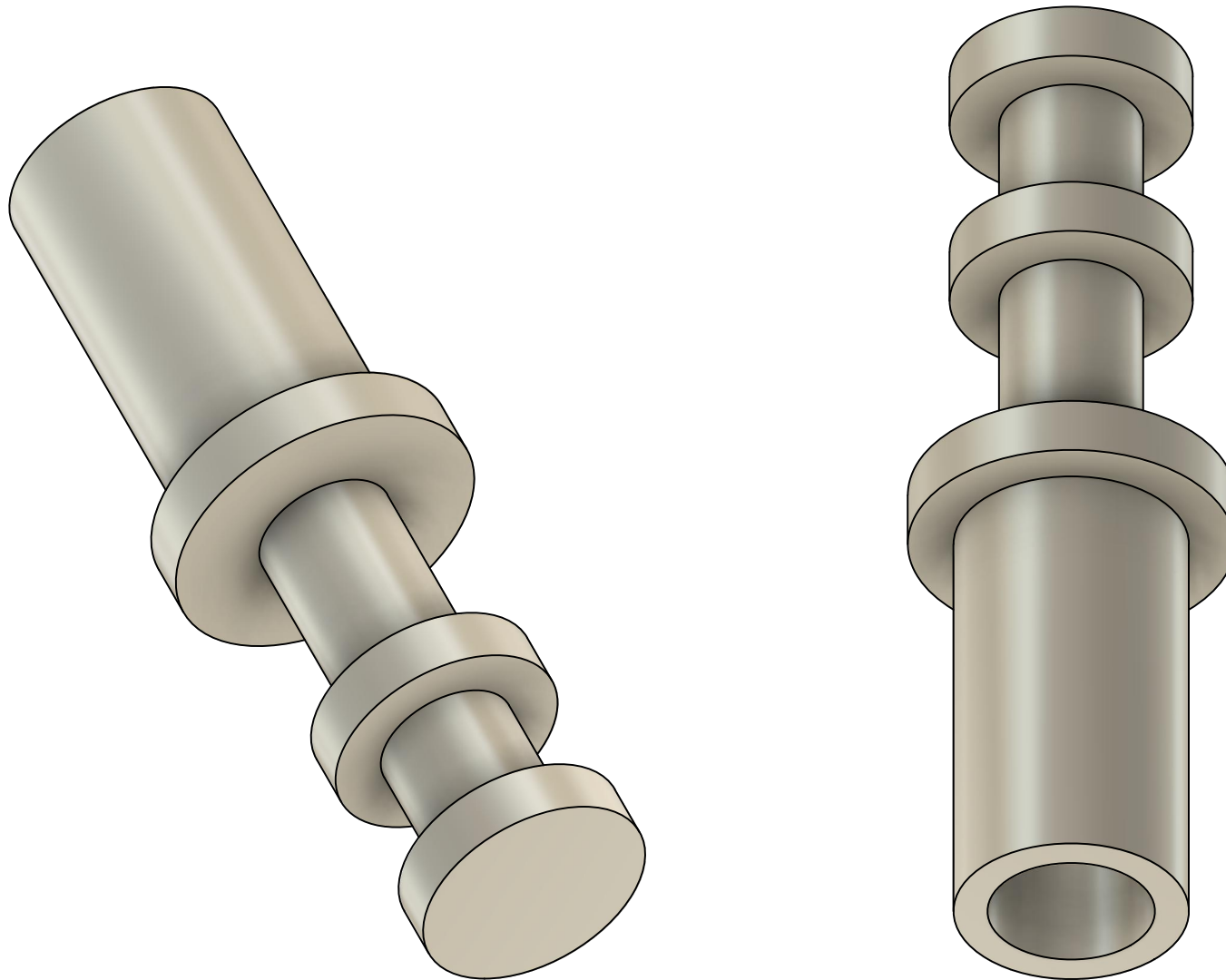
ORDER NUMBER TABLE	
ORDER NUMBER	STANDARD PACKAGE QTY
107000	1
107005	5
107025	25
107100	100
107500	500
107999	1000

NOTES: (UNLESS OTHERWISE SPECIFIED)

1. DIMENSION INCH [mm]
2. MATERIAL: BRASS ASTM-B16
3. PLATING: ELECRO-TIN PER MIL-T-10727 Type 1

APPROVAL	DATE				
DRAWN W. Pegues	3/19/2023				
ENG					
MFG					
QA					
CUST		TITLE			
REVISED J. Dietrich	6/21/2023	TURRET TERMINAL 107XXX SERIES			
THIRD ANGLE PROJECTION		SCALE	SIZE	DWG NO	REV
		5:1	A	107000	A
DO NOT SCALE					SHEET 1 OF 3

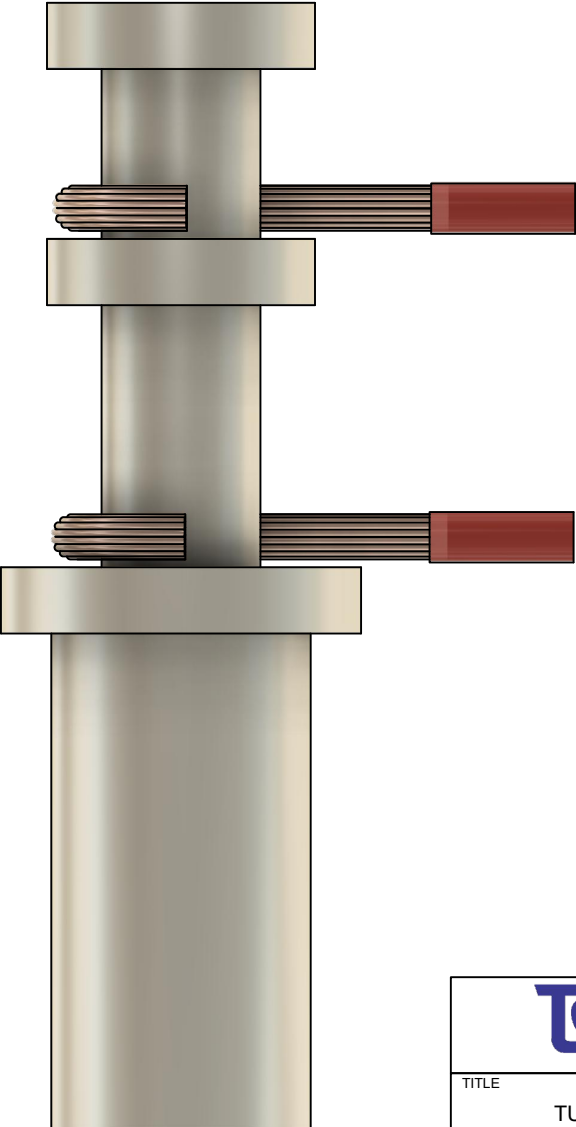
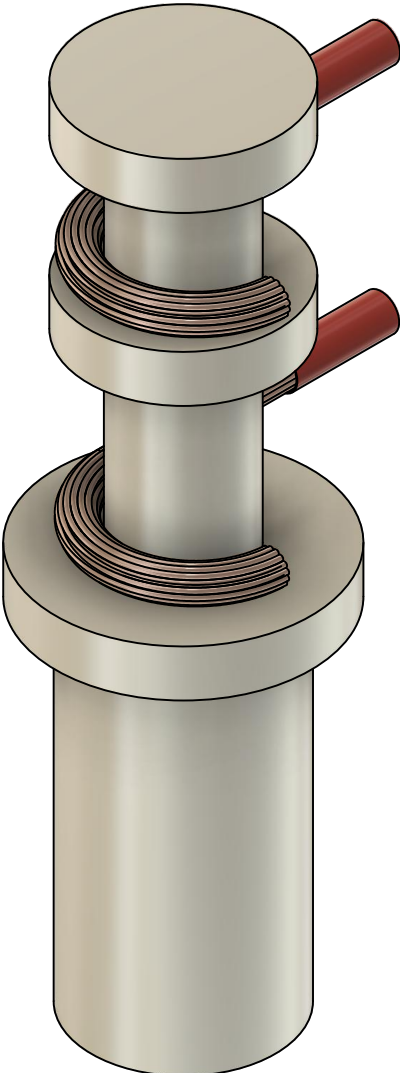
MODEL TURRET TERMINAL A



TopLine[®]

TITLE			
TURRET TERMINAL 107XXX SERIES			
SCALE 15:1	SIZE A	DWG NO 107000	REV A
DO NOT SCALE			SHEET 2 OF 3

EXAMPLE WORKMANSHIP TURRET TERMINAL A



TopLine[®]			
TITLE TURRET TERMINAL 107XXX SERIES			
SCALE 15:1	SIZE A	DWG NO 107000	REV A
DO NOT SCALE			SHEET 3 OF 3