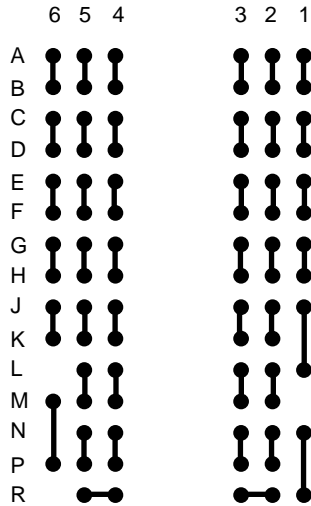
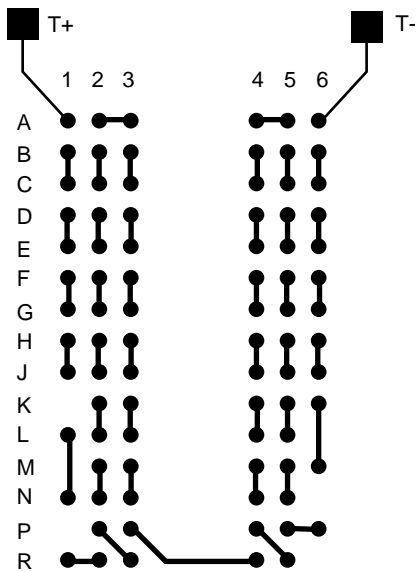
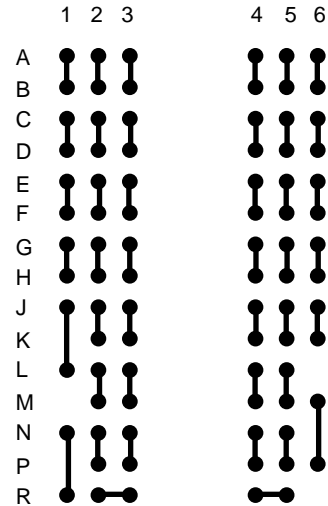


<u>BALLS</u>	<u>PITCH</u>	<u>SIZE</u>	<u>MATRIX</u>	<u>ROWS</u>	<u>CENTER</u>	<u>MAT'L</u>
84	0.8mm	12 x 12.5mm	6 x 15	Asymmetric	DDR2	BT

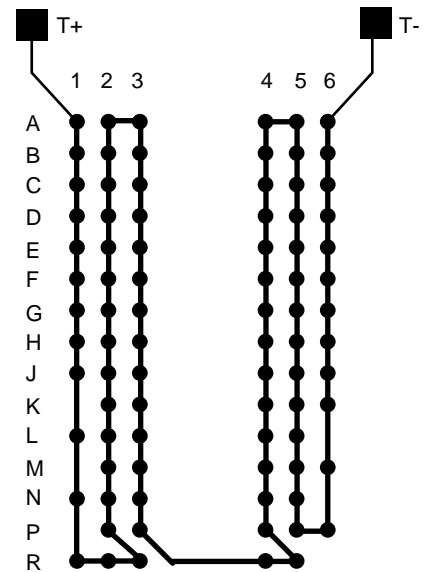
### BALL VIEW



### BOTTOM SIDE (TOP X-RAY VIEW)



TEST VEHICLE BOARD



AFTER MOUNTING TO TEST BOARD

# LBGA84T.8C-DC655 Lead Free

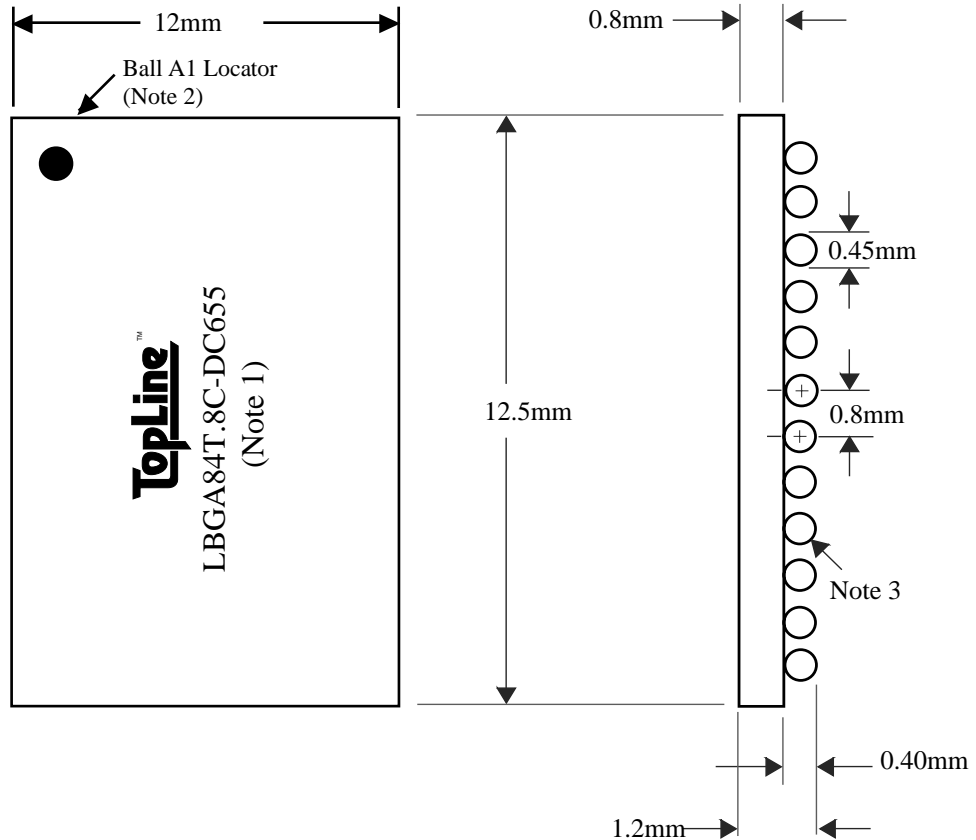


TEL 1-714-898-3830  
sales@topline.tv

<u>BALLS</u>	<u>PITCH</u>	<u>SIZE</u>	<u>MATRIX</u>	<u>ROWS</u>	<u>CENTER</u>	<u>MAT'L</u>
84	0.8mm	12 x 12.5mm	6 x 15	Asymetric	DDR2	BT

**TOP VIEW**

**SIDE VIEW**



<b>notes</b>		<b>revisions</b>		
Note 1	Logo and part number centered White ink on black solder mask	<u>Rev</u>	<u>Date</u>	<u>Changes</u>
Note 2	Ball A1 locator mark positioned in corner			
Note 3	Ball Material: Sn96.5/Ag3.0/Cu0.5			
Note 4	Substrate Material: BT			
		<b>packaging trays</b>		
		Tray BGATRAY12x12.5 Tray Quantity ___		