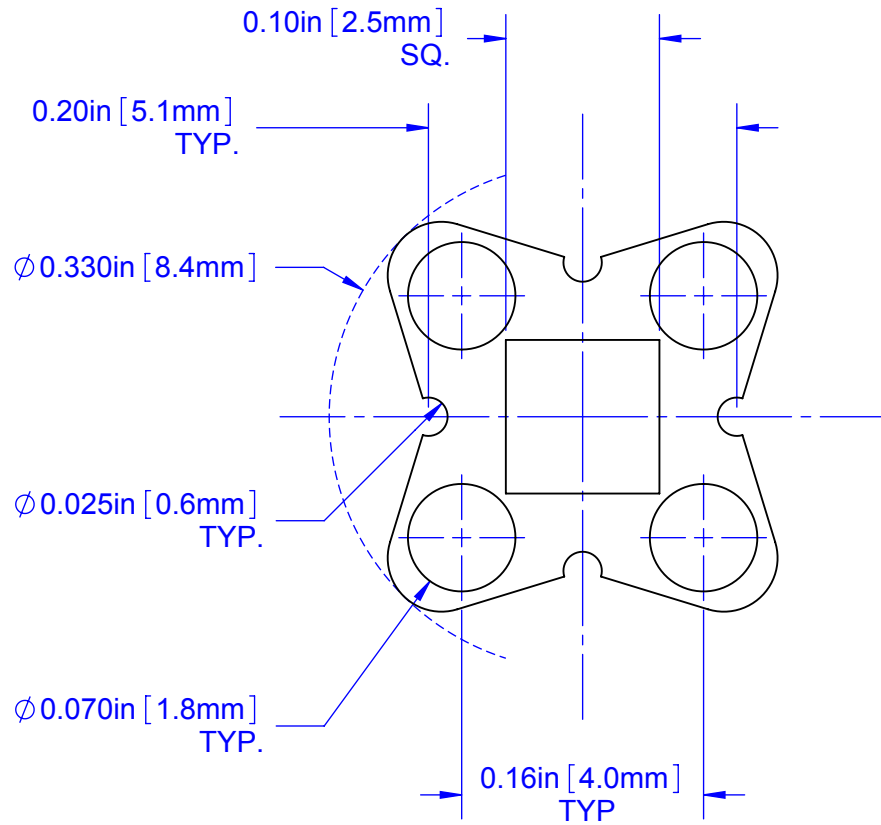
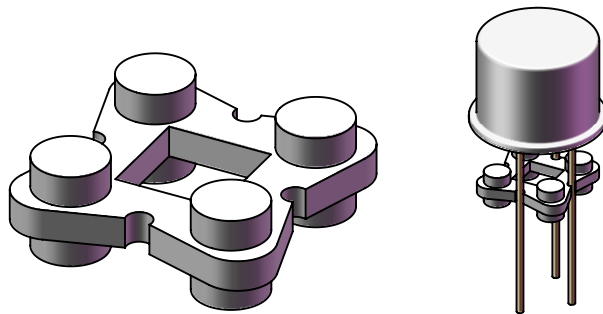
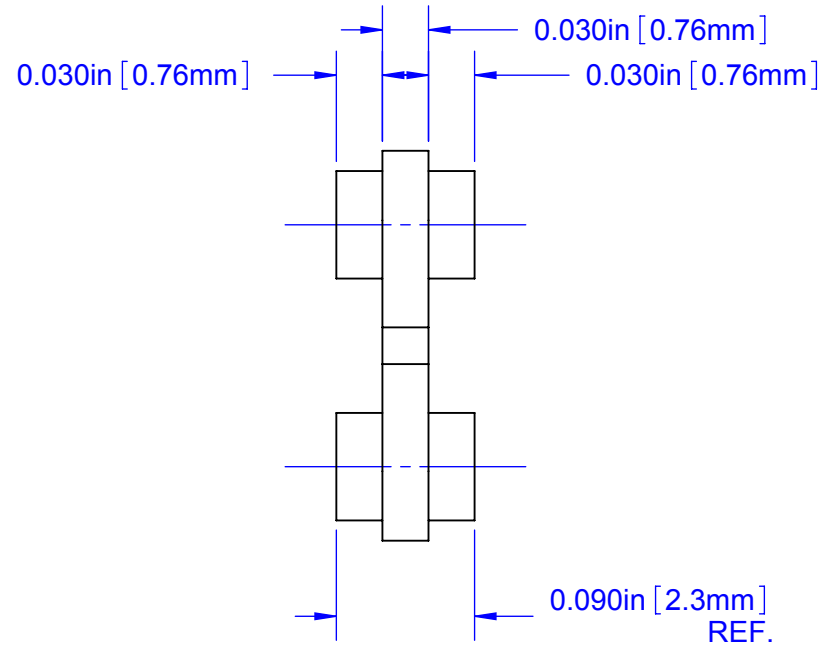


TOP VIEW



SIDE VIEW



MODEL

APPROVALS	DATE	TopLine®			
DRAWN T. Au	07/26/13				
ENG M. Hart	07/26/13	TITLE TO-5 STANDOFF			
MFG		SCALE 8:1	SIZE A	DRAWING NO. 126090	REV A
QA					
CUST		DO NOT SCALE DRAWING			SHEET 1 OF 1
REVISED					

