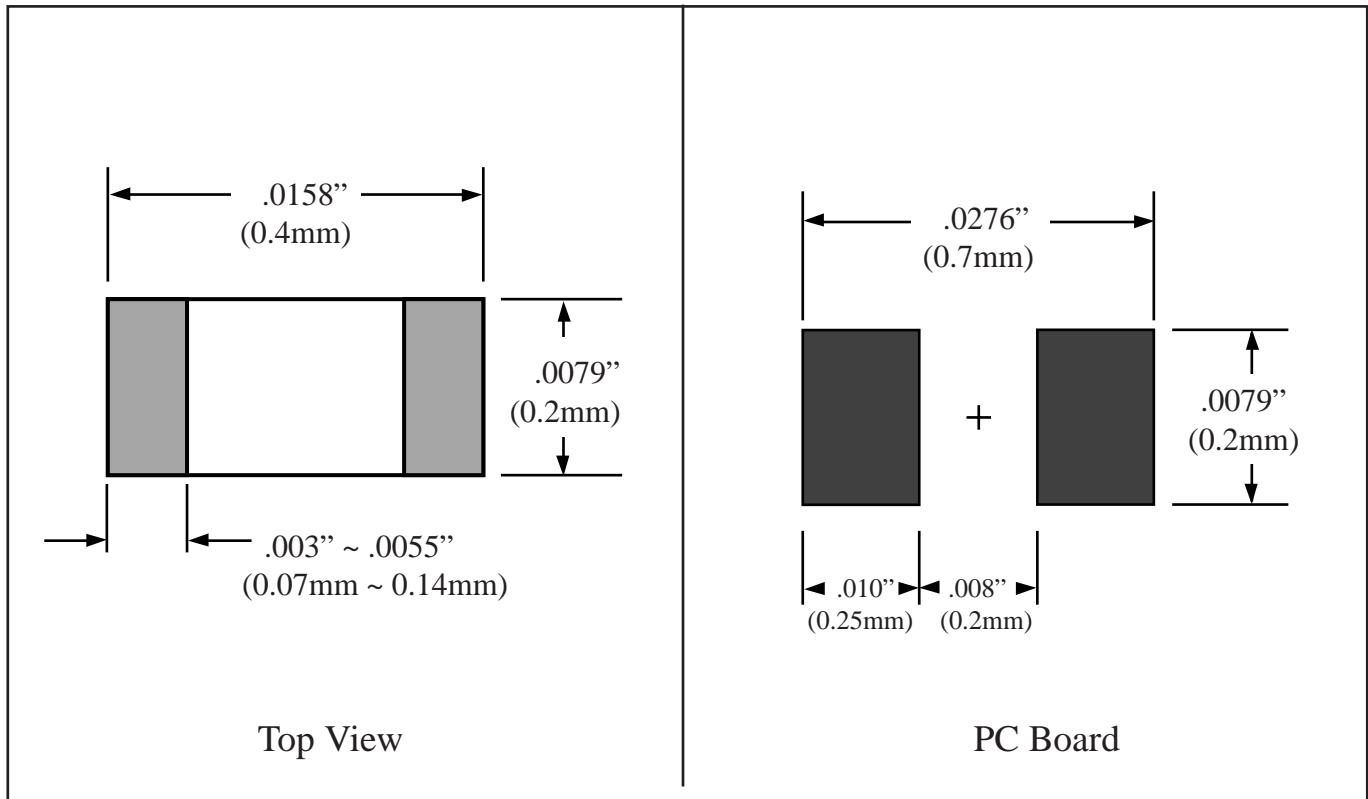
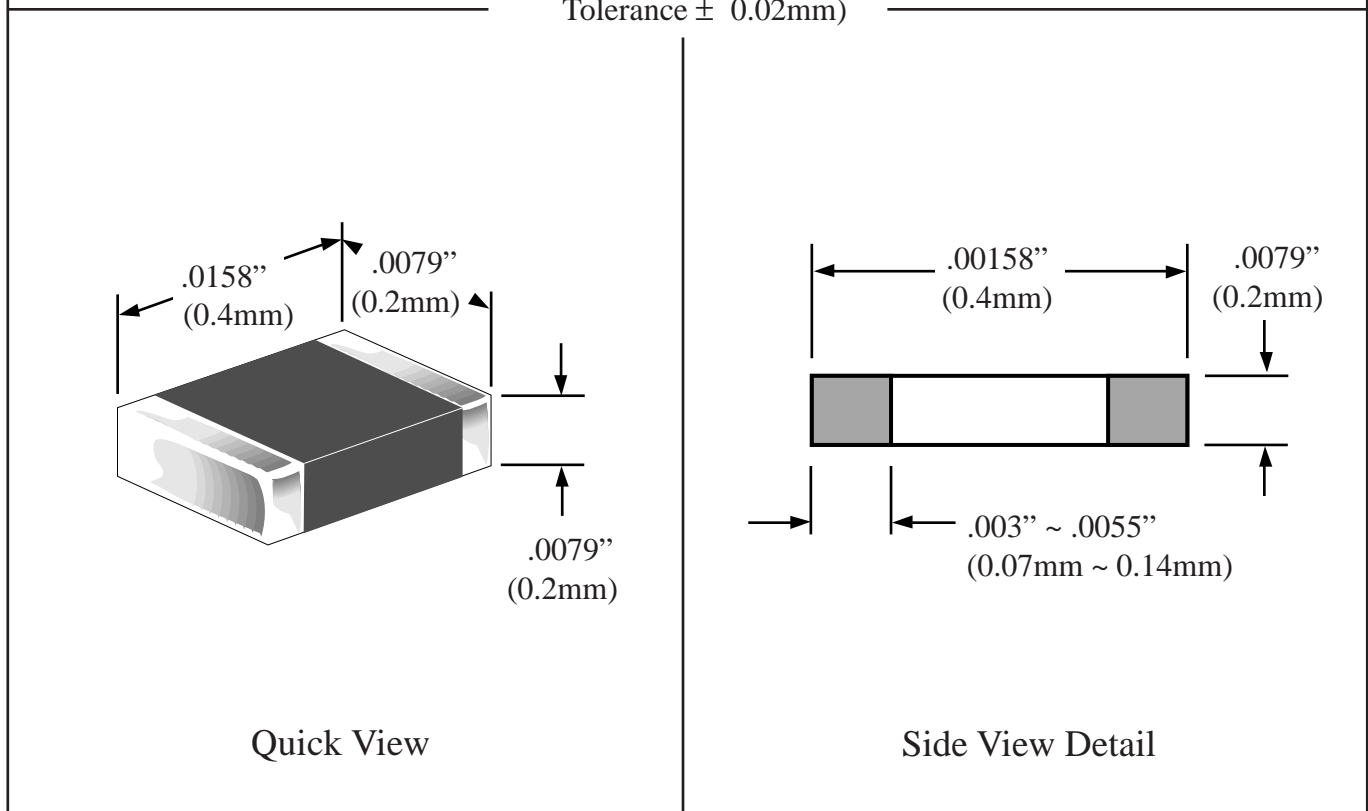


Part # **SC01005**
Chip Ceramic Capacitor
 Body Size **01005 (Metric 0402)**

TopLine™
 Tel 1-714-898-3830
 info@topline.tv



Tolerance $\pm 0.02\text{mm}$



Part # **SR01005**

Chip Resistor

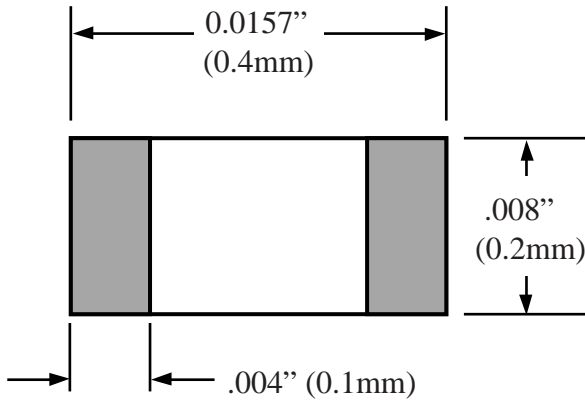
Body Size **01005 (Metric 0402)**

Dwg SR01005.pdf

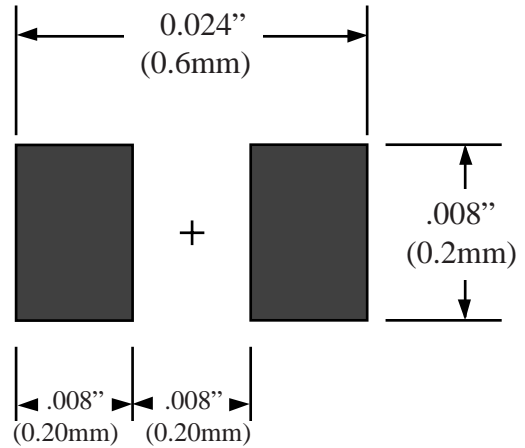
TopLine™

Tel 1-714-898-3830

info@topline.tv

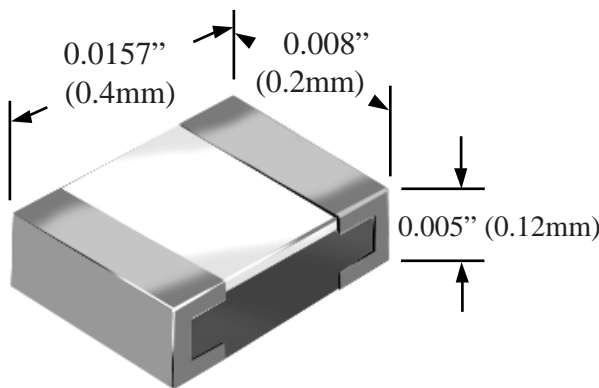


Top View



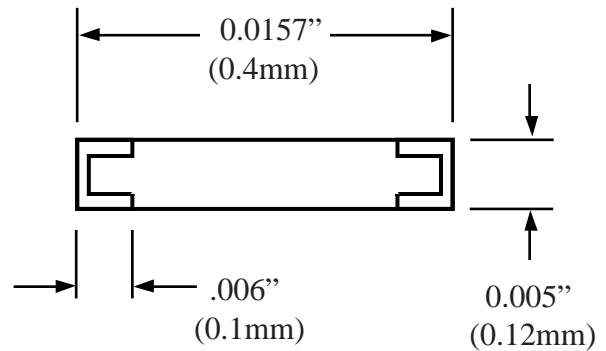
PC Board

Tolerance $\pm .0008''$ ($\pm .02\text{mm}$)



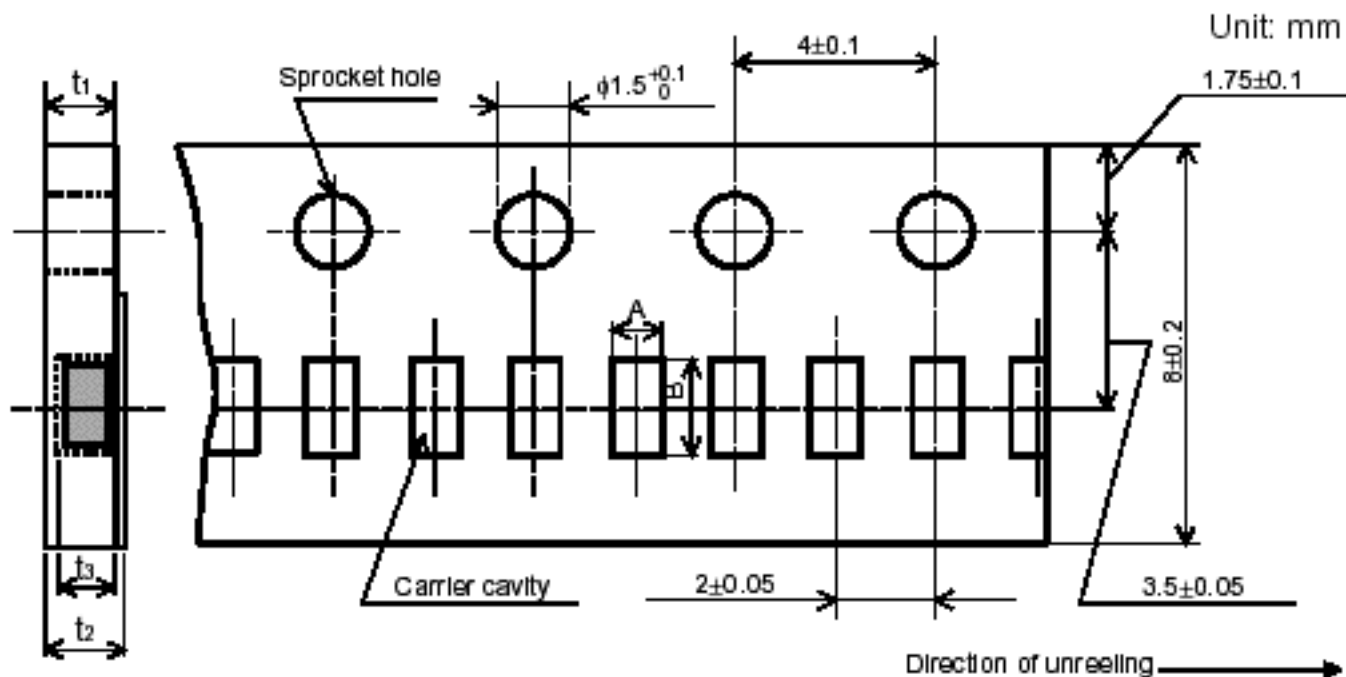
Tape Pocket: 0.45mm x 0.25mm x 0.17mm

Quick View



Side View Detail

Press pocket taping (Paper taping, 8mm width, 2mm pitches)



Unit: mm

A	B	t_1	t_2	t_3
0.25 ± 0.03	0.45 ± 0.03	0.31 ± 0.02	0.42max.	0.15 ± 0.02