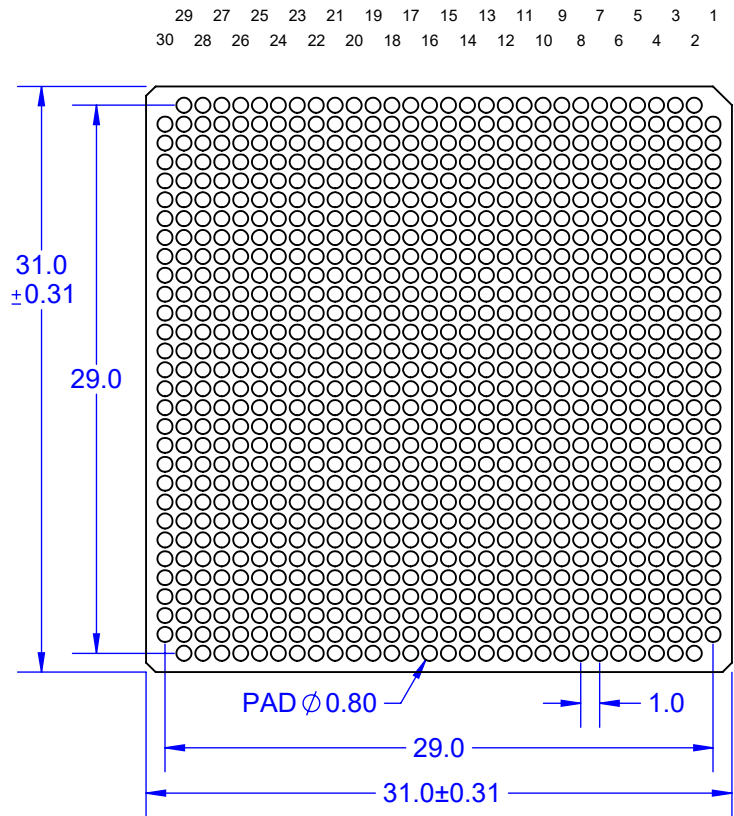
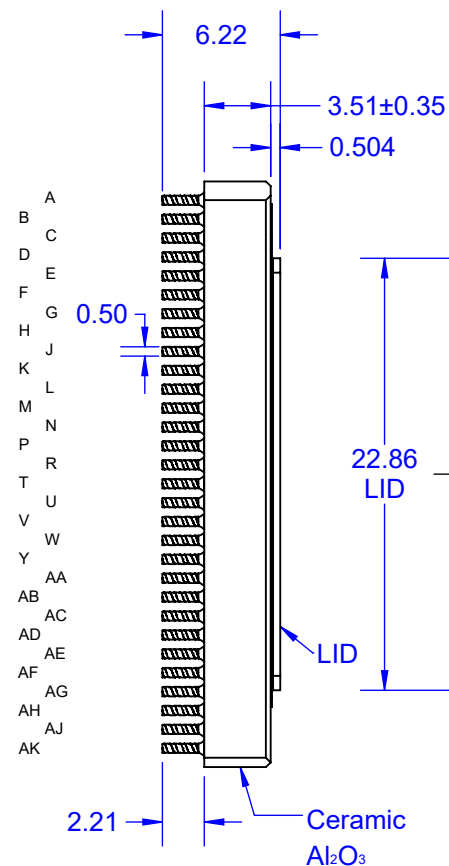


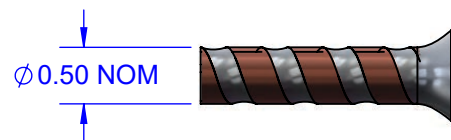
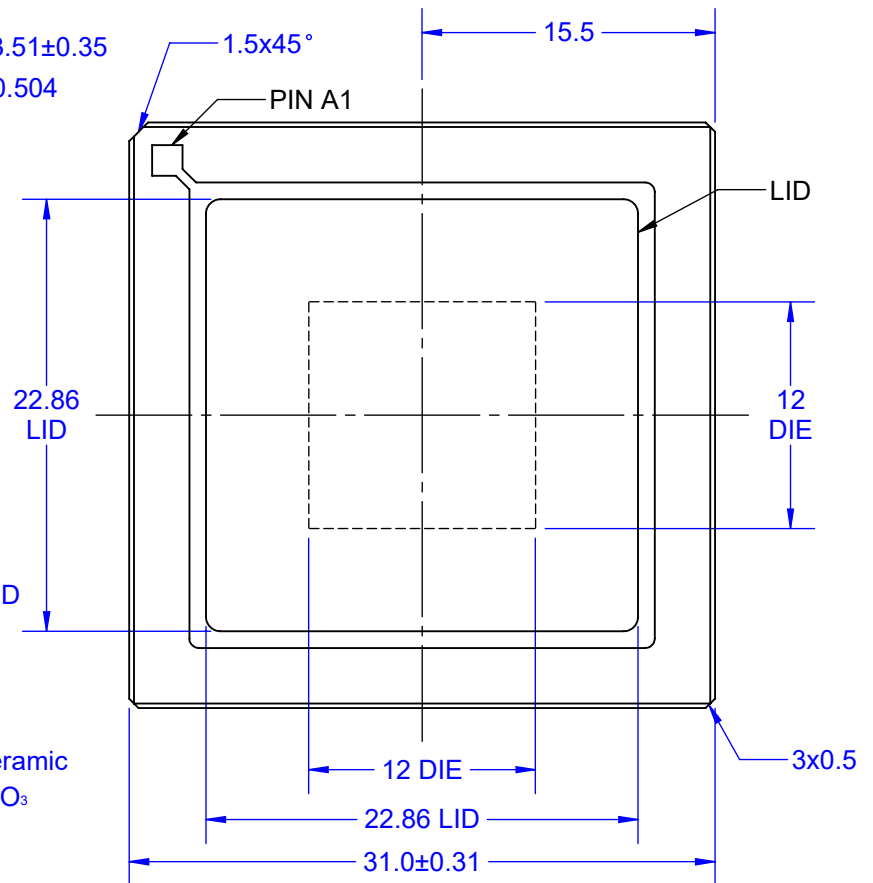
BOTTOM VIEW



SIDE VIEW



TOP VIEW



**Pb80/Sn20
Cu RIBBON
COLUMNS**

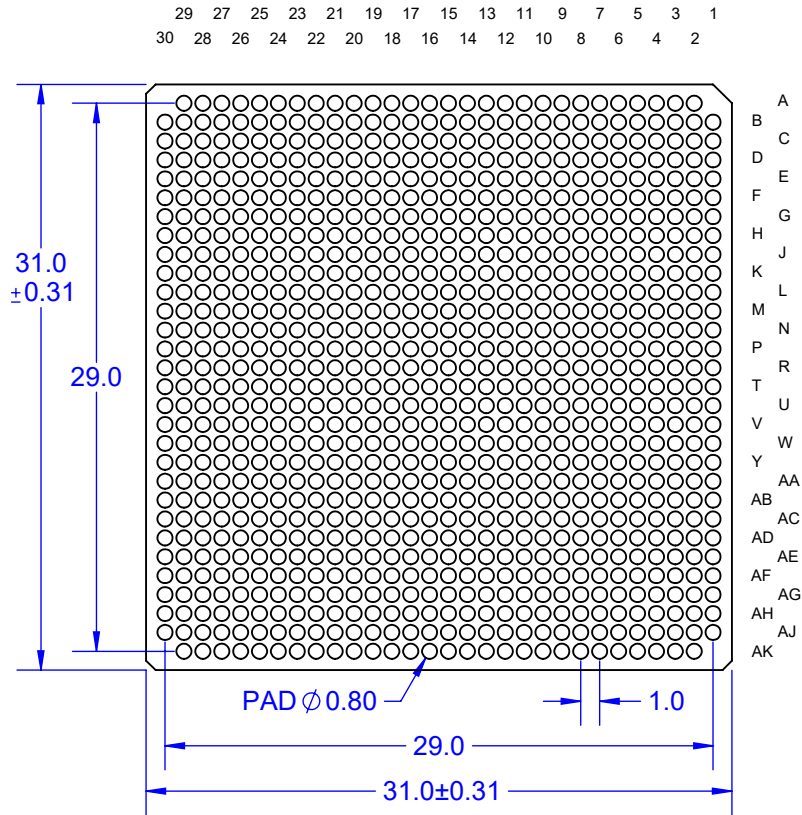
Notes: (Unless Otherwise Specified).

- 1) DIMENSIONS ARE IN mm.
- 2) SHOWN WITH COLUMNS.
- 3) SHOWN WITH LID COVER ATTACHED.
- 4) PART NUMBER CCGA896T1.0-DC308D.

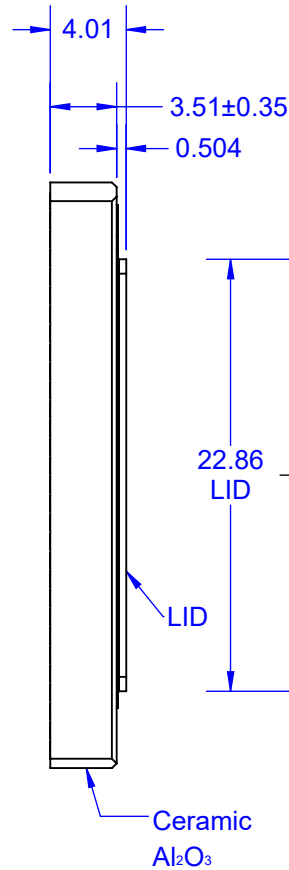
PART NUMBER OPTIONS			
PART NUMBER	DUMMY DIE	SOLDER PIN	LID
CCGA896T1.0-DC308D	YES	YES	YES

APPROVALS	DATE	TopLine®			
DRAWN T. Au	3/27/2022				
ENG M. Hart	3/27/2022	TITLE CCGA896T1.0-DC308D DUMMY COLUMN GRID ARRAY			
MFG		SCALE	SIZE	DRAWING NO.	REV
QA		2.5:1	A	160112	A
CUST		DO NOT SCALE DRAWING			SHEET 1 OF 9
REVISED					

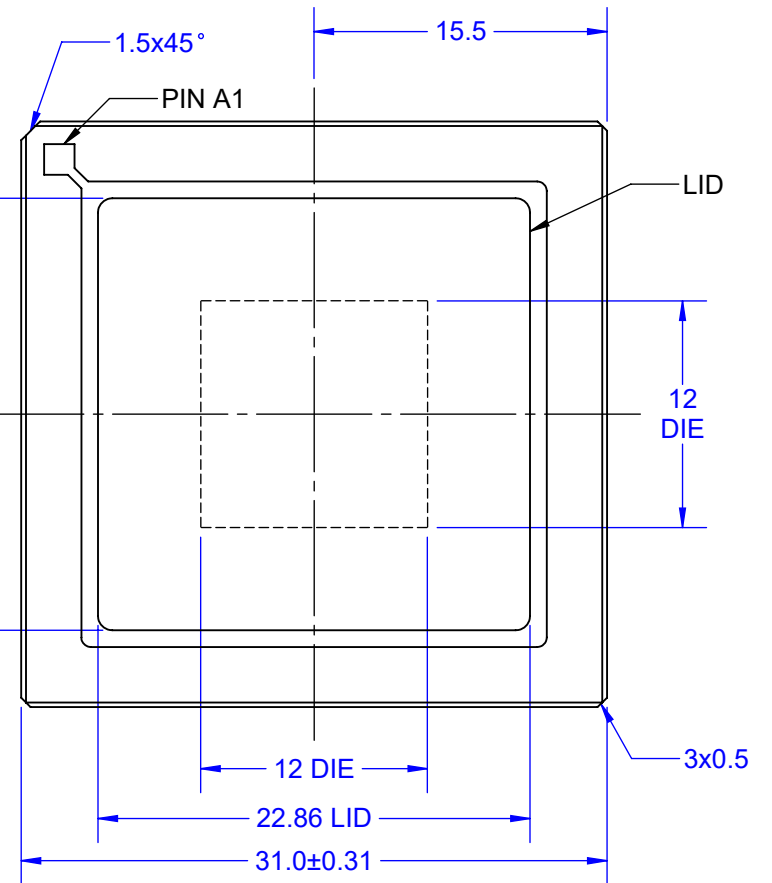
BOTTOM VIEW



SIDE VIEW




TOP VIEW



Notes: (Unless Otherwise Specified).

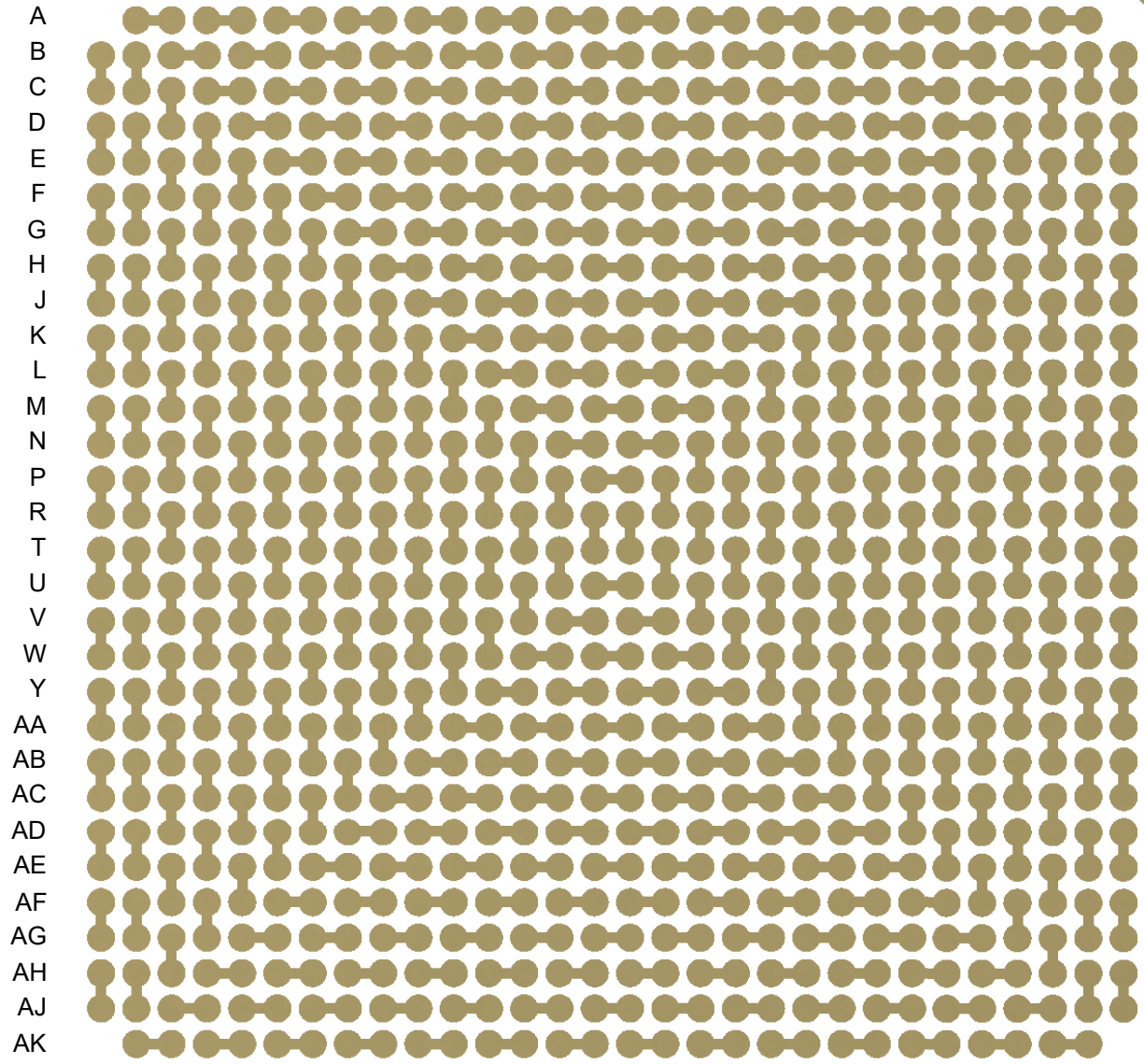
- 1) DIMENSIONS ARE IN mm.
- 2) SHOWN WITH COLUMNS.
- 3) SHOWN WITH LID COVER ATTACHED.
- 4) PART NUMBER CLGA896T1.0-DC308D.

PART NUMBER OPTIONS			
PART NUMBER	DUMMY DIE	SOLDER PIN	LID
CLGA896T1.0-DC308D	YES	YES	YES

APPROVALS	DATE				
DRAWN T.Au	3/27/2022				
ENG M. Hart	3/27/2022	TITLE CCGA896T1.0-DC308D DUMMY COLUMN GRID ARRAY			
MFG		SCALE	SIZE	DRAWING NO.	REV
QA		2.5:1	A	160112	A
CUST		DO NOT SCALE DRAWING			SHEET 2 OF 9
REVISED					

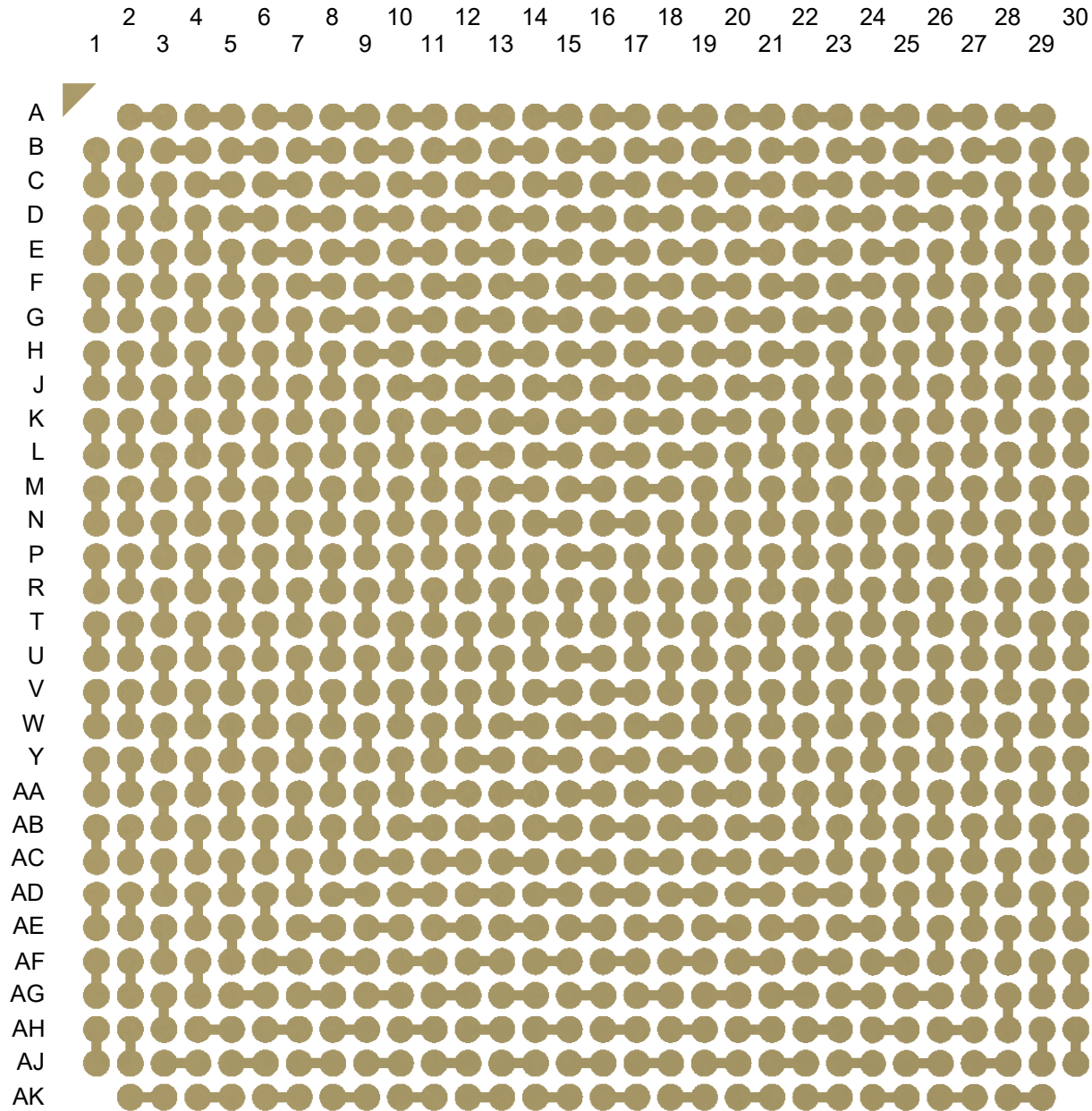
DAISY CHAIN PATTERN COLUMN (PAD) VIEW

29 27 25 23 21 19 17 15 13 11 9 7 5 3 1
30 28 26 24 22 20 18 16 14 12 10 8 6 4 2



TopLine®			
TITLE CCGA896T1.0-DC308D DUMMY COLUMN GRID ARRAY			
SCALE 5:1	SIZE A	DRAWING NO. 160112	REV A
DO NOT SCALE DRAWING			SHEET 3 OF 9

DAISY CHAIN PATTERN BOTTOM X-RAY VIEW FROM TOP



TopLine®			
TITLE CCGA896T1.0-DC308D DUMMY COLUMN GRID ARRAY			
SCALE 5:1	SIZE A	DRAWING NO. 160112	REV A
DO NOT SCALE DRAWING			SHEET 4 OF 9

NET LIST DAISY CHAIN CONNECTION TABLE

PIN	PIN	PIN	PIN	PIN	PIN	PIN	PIN	PIN	PIN	PIN	PIN	PIN	PIN
A2	A3	AB25	AC25	AE15	AE16	AH6	AH7	AK28	AK29	F2	G2	H17	H18
A4	A5	AB27	AC27	AE17	AE18	AH8	AH9	B1	C1	F4	G4	H19	H20
A6	A7	AB29	AC29	AE19	AE20	AH10	AH11	B2	C2	F6	G6	H21	H22
A8	A9	AB30	AC30	AE21	AE22	AH12	AH13	B3	B4	F7	F8	H23	J23
A10	A11	AC3	AD3	AE23	AE24	AH14	AH15	B5	B6	F9	F10	H25	J25
A12	A13	AC5	AD5	AE26	AF26	AH16	AH17	B7	B8	F11	F12	H27	J27
A14	A15	AC7	AD7	AE28	AF28	AH18	AH19	B9	B10	F13	F14	H29	J29
A16	A17	AC9	AC10	AF1	AG1	AH20	AH21	B11	B12	F15	F16	H30	J30
A18	A19	AC11	AC12	AF2	AG2	AH22	AH23	B13	B14	F17	F18	J3	K3
A20	A21	AC13	AC14	AF4	AG4	AH24	AH25	B15	B16	F19	F20	J5	K5
A22	A23	AC15	AC16	AF6	AF7	AH26	AH27	B17	B18	F21	F22	J7	K7
A24	A25	AC17	AC18	AF8	AF9	AH29	AJ29	B19	B20	F23	F24	J9	K9
A26	A27	AC19	AC20	AF10	AF11	AH30	AJ30	B21	B22	F25	G25	J10	J11
A28	A29	AC21	AC22	AF12	AF13	AJ3	AJ4	B23	B24	F27	G27	J12	J13
AA3	AB3	AC24	AD24	AF14	AF15	AJ5	AJ6	B25	B26	F29	G29	J14	J15
AA5	AB5	AC26	AD26	AF16	AF17	AJ7	AJ8	B27	B28	F30	G30	J16	J17
AA7	AB7	AC28	AD28	AF18	AF19	AJ9	AJ10	B29	C29	G3	H3	J18	J19
AA9	AB9	AD1	AE1	AF20	AF21	AJ11	AJ12	B30	C30	G5	H5	J20	J21
AA11	AA12	AD2	AE2	AF22	AF23	AJ13	AJ14	C3	D3	G7	H7	J22	K22
AA13	AA14	AD4	AE4	AF24	AF25	AJ15	AJ16	D23	D24	G8	G9	J24	K24
AA15	AA16	AD6	AE6	AF27	AG27	AJ17	AJ18	D25	D26	G10	G11	J26	K26
AA17	AA18	AD8	AD9	AF29	AG29	AJ19	AJ20	D27	E27	G12	G13	J28	K28
AA19	AA20	AD10	AD11	AF30	AG30	AJ21	AJ22	D29	E29	G14	G15	K1	L1
AA22	AB22	AD12	AD13	AG3	AH3	AJ23	AJ24	D30	E30	G16	G17	K2	L2
AA24	AB24	AD14	AD15	AG5	AG6	AJ25	AJ26	E3	F3	G18	G19	K4	L4
AA26	AB26	AD16	AD17	AG7	AG8	AJ27	AJ28	E5	F5	G20	G21	K6	L6
AA28	AB28	AD18	AD19	AG9	AG10	AK2	AK3	E6	E7	G22	G23	K8	L8
AB1	AC1	AD20	AD21	AG11	AG12	AK4	AK5	E8	E9	G24	H24	K10	L10
AB2	AC2	AD22	AD23	AG13	AG14	AK6	AK7	E10	E11	G26	H26	K11	L12
AB4	AC4	AD25	AE25	AG15	AG16	AK8	AK9	E12	E13	G28	H28	K13	K14
AB6	AC6	AD27	AE27	AG17	AG18	AK10	AK11	E14	E15	H1	J1	K15	K16
AB8	AC8	AD29	AE29	AG19	AG20	AK12	AK13	E16	E17	H2	J2	K17	K18
AB10	AB11	AD30	AE30	AG21	AG22	AK14	AK15	E18	E19	H4	J4	K19	K20
AB12	AB13	AE3	AF3	AG23	AG24	AK16	AK17	E20	E21	H6	J6	K21	L21
AB14	AB15	AE5	AF5	AG25	AG26	AK18	AK19	E22	E23	H8	J8	K23	L23
AB16	AB17	AE7	AE8	AG28	AH28	AK20	AK21	E24	E25	H9	H10	K25	L25
AB18	AB19	AE9	AE10	AH1	AJ1	AK22	AK23	E26	F26	H11	H12	K27	L27
AB20	AB21	AE11	AE12	AH2	AJ2	AK24	AK25	E28	F28	H13	H14	K29	L29
AB23	AC23	AE13	AE14	AH4	AH5	AK26	AK27	F1	G1	H15	H16	K30	L30

TopLine®

TITLE CCGA896T1.0-DC308D
DUMMY COLUMN GRID ARRAY

SCALE NONE	SIZE A	DRAWING NO. 160112	REV A
---------------	-----------	-----------------------	----------

DO NOT SCALE DRAWING

SHEET 5 OF 9

NET LIST DAISY CHAIN CONNECTION TABLE

PIN	PIN	PIN	PIN	PIN	PIN	PIN	PIN
L3	M3	N18	P18	T4	U4	V25	W25
L5	M5	N20	P20	T6	U6	V27	W27
L7	M7	N22	P22	T8	U8	V29	W29
L9	M9	N24	P24	T10	U10	V30	W30
L11	M11	N26	P26	T12	U12	W3	Y3
L12	L13	N28	P28	T14	U14	W5	Y5
L14	L15	P1	R1	T17	U17	W7	Y7
L16	L17	P2	R2	T19	U19	W9	Y9
L18	L19	P4	R4	T21	U21	W11	Y11
L20	M20	P6	R6	T23	U23	W13	W14
L22	M22	P8	R8	T25	U25	W15	W16
L24	M24	P10	R10	T27	U27	W17	W18
L26	M26	P12	R12	T29	U29	W20	Y20
L28	M28	P14	R14	T30	U30	W22	Y22
M1	N1	P15	P16	U3	V3	W24	Y24
M2	N2	P17	R17	U5	V5	W26	Y26
M4	N4	P19	R19	U7	V7	W28	Y28
M6	N6	P21	R21	U9	V9	Y1	AA1
M8	N8	P23	R23	U11	V11	Y2	AA2
M10	N10	P25	R25	U13	V13	Y4	AA4
M12	N12	P27	R27	U15	U16	Y6	AA6
M13	M14	P29	R29	U18	V18	Y8	AA8
M15	M16	P30	R30	U20	V20	Y10	AA10
M17	M18	R3	T3	U22	V22	Y12	Y13
M19	N19	R5	T5	U24	V24	Y14	Y15
M21	N21	R7	T7	U26	V26	Y16	Y17
M23	N23	R9	T9	U28	V28	Y18	Y19
M25	N25	R11	T11	V1	W1	Y21	AA21
M27	N27	R13	T13	V2	W2	Y23	AA23
M29	N29	R15	T15	V4	W4	Y25	AA25
M30	N30	R16	T16	V6	W6	Y27	AA27
N3	P3	R18	T18	V8	W8	Y29	AA29
N5	P5	R20	T20	V10	W10	Y30	AA30
N7	P7	R22	T22	V12	W12		
N9	P9	R24	T24	V14	V15		
N11	P11	R26	T26	V16	V17		
N13	P13	R28	T28	V19	W19		
N14	N15	T1	U1	V21	W21		
N16	N17	T2	U2	V23	W23		

TopLine®

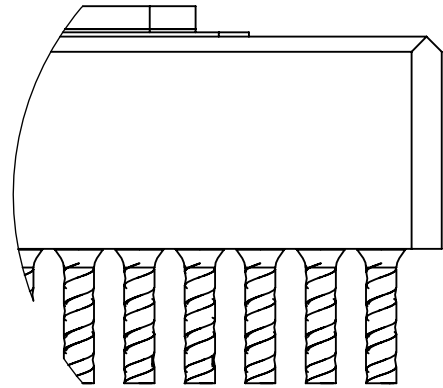
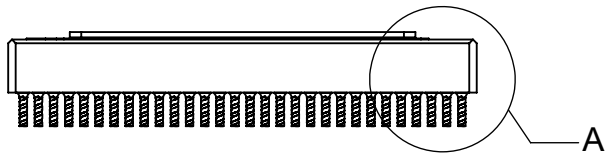
TITLE CCGA896T1.0-DC308D
DUMMY COLUMN GRID ARRAY

SCALE NONE	SIZE A	DRAWING NO. 160112	REV A
---------------	-----------	-----------------------	----------

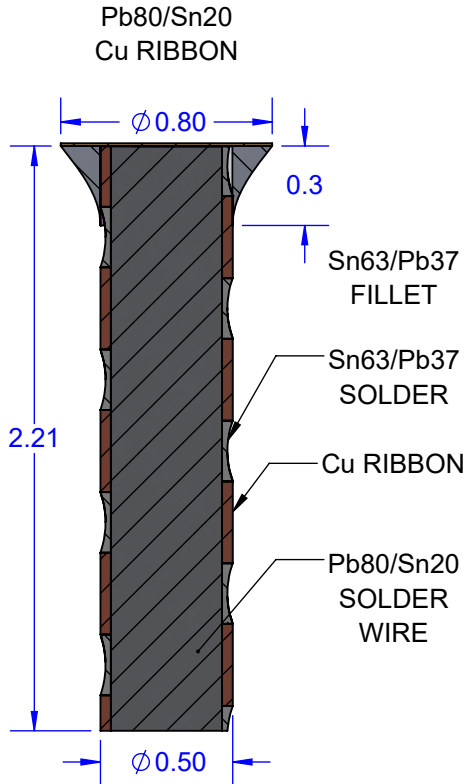
DO NOT SCALE DRAWING

SHEET 6 OF 9

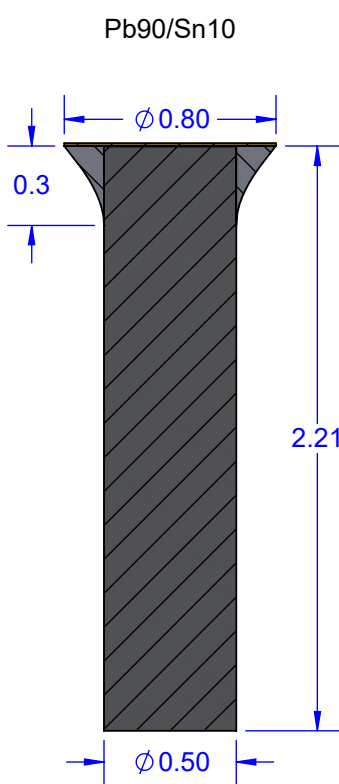
SOLDER PIN OPTIONS



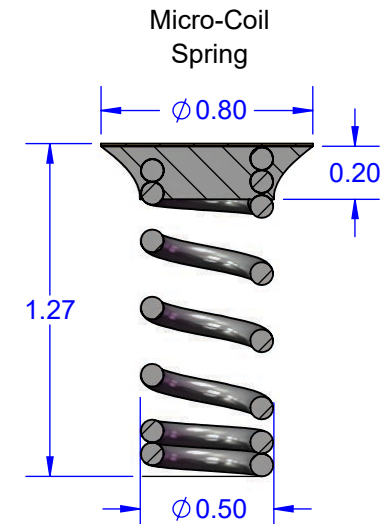
DETAIL A
SCALE 8 : 1



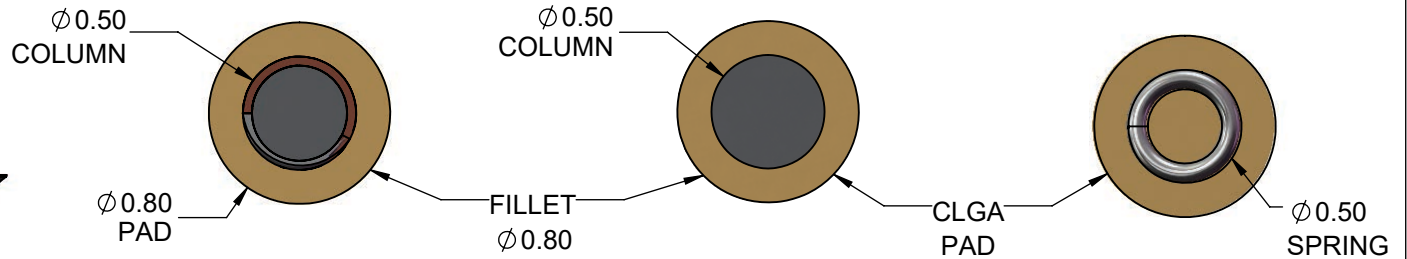
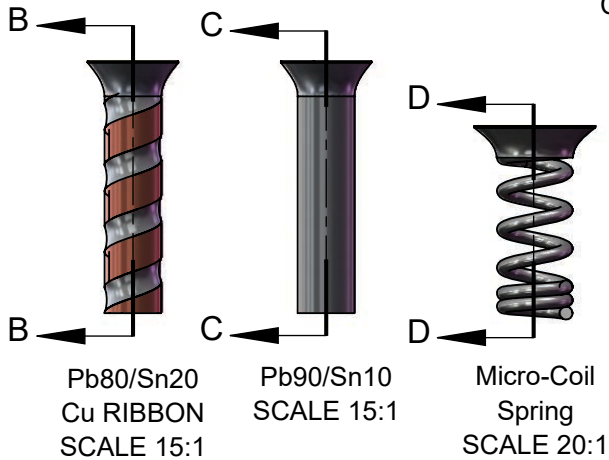
SECTION B-B
SCALE 35 : 1



SECTION C-C
SCALE 35 : 1

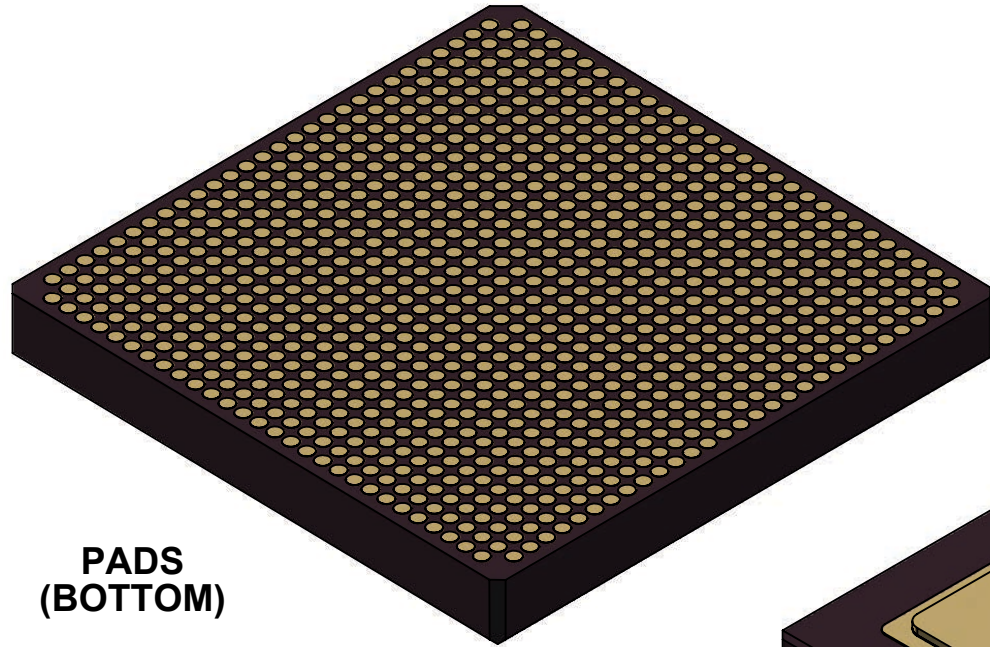


SECTION D-D
SCALE 35 : 1

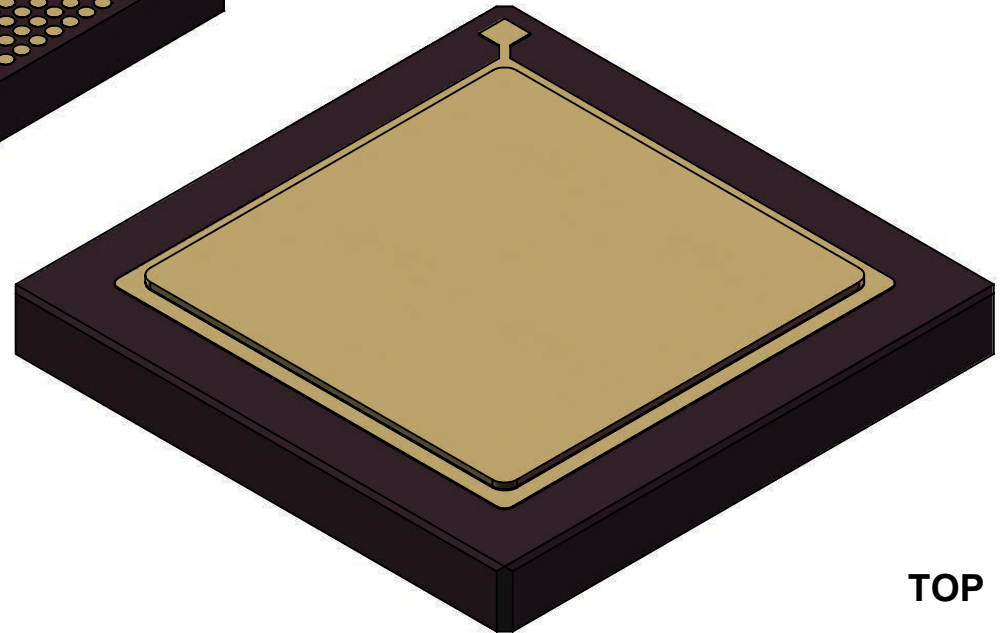


TopLine®			
TITLE CCGA896T1.0-DC308D DUMMY COLUMN GRID ARRAY			
SCALE 8:1	SIZE A	DRAWING NO. 160112	REV A
DO NOT SCALE DRAWING			SHEET 7 OF 9

MODEL
CLGA896T1.0-DC308D
LID/COVER ATTACHED



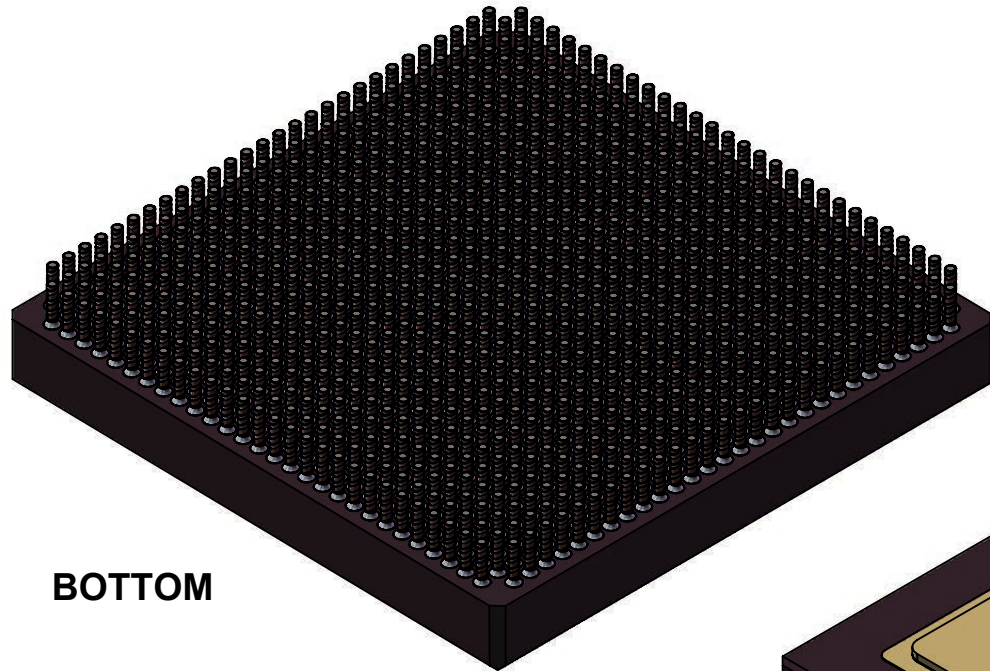
PADS
(BOTTOM)



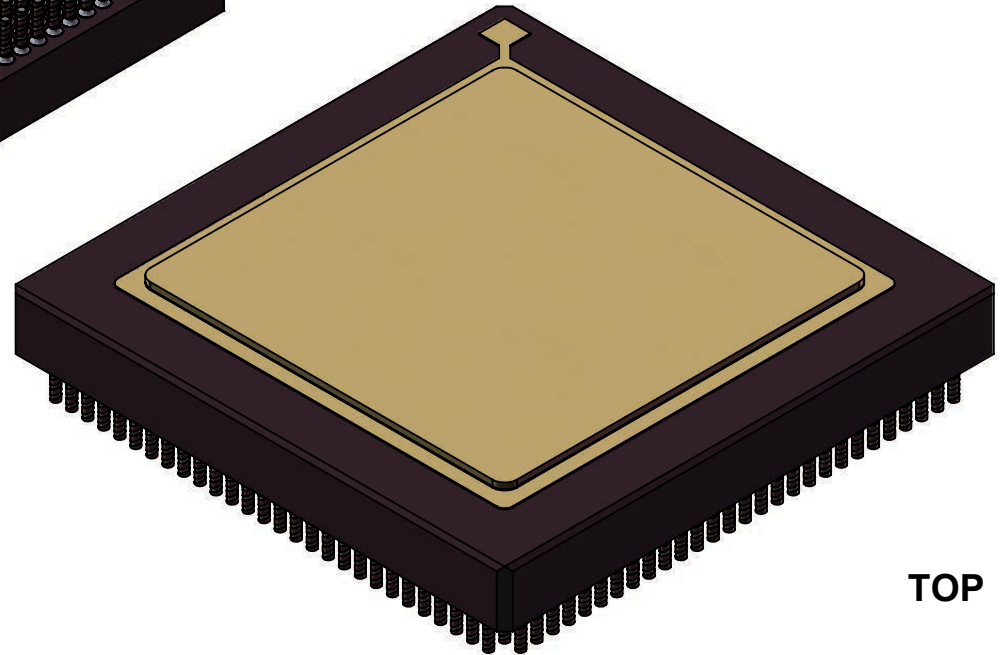
TOP

TopLine®			
TITLE CCGA896T1.0-DC308D DUMMY COLUMN GRID ARRAY			
SCALE 3:1	SIZE A	DRAWING NO. 160112	REV A
DO NOT SCALE DRAWING			SHEET 8 OF 9

MODEL
CCGA896T1.0-DC308D
Pb80/Sn20 COPPER WRAPPED COLUMNS



BOTTOM



TOP

TopLine[®]			
TITLE CCGA896T1.0-DC308D DUMMY COLUMN GRID ARRAY			
SCALE 3:1	SIZE A	DRAWING NO. 160112	REV A
DO NOT SCALE DRAWING			SHEET 9 OF 9