

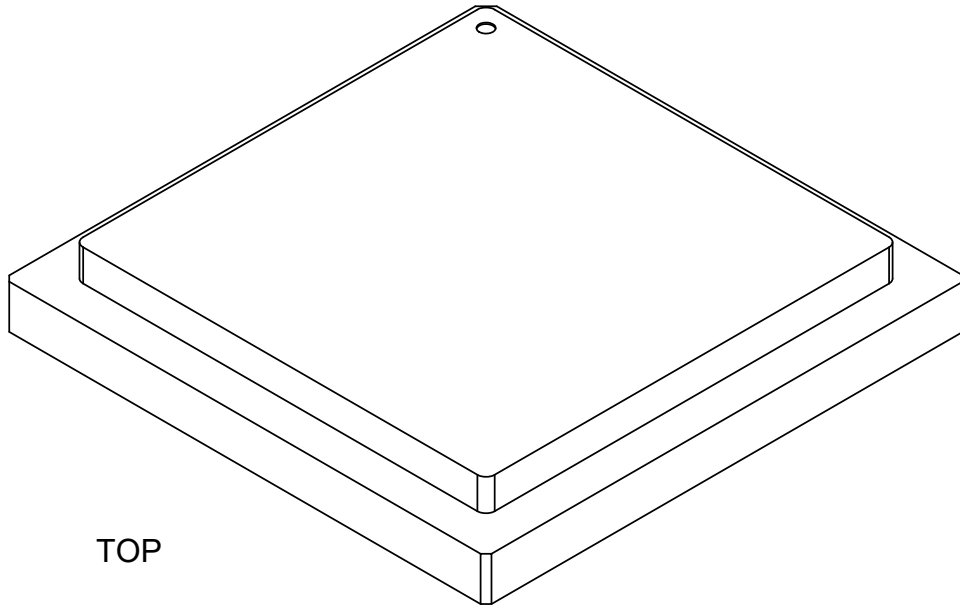
SECTION A-A

NOTES: (UNLESS OTHERWISE SPECIFIED).
 1) DIMENSIONS: INCHES [MM].
 2) MATERIAL: ALUMINUM.

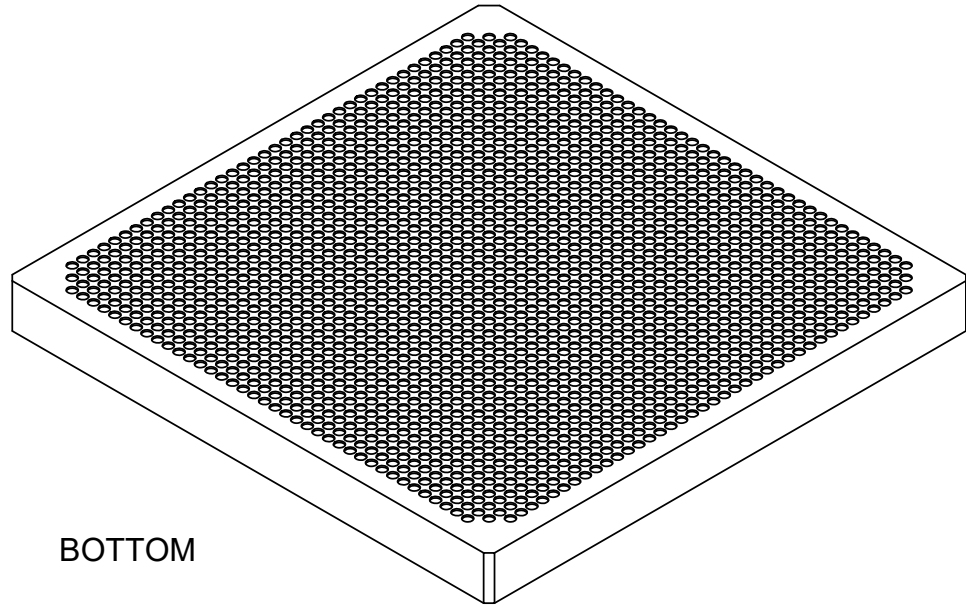
*DEPOPULATED PADS ALLOWED

APPROVALS		DATE	TopLine [®]			
DRAWN J. Hines		10/16/2016				
ENG M. Hart		10/16/2016	TITLE AL-CF1752			
MFG			ALUMINUM SLUG			
QA			SCALE 2:1	SIZE A	DRAWING NO. 175201	REV A
CUST			DO NOT SCALE DRAWING		SHEET 1 OF 2	
REVISED						

MODELS



TOP



BOTTOM

TopLine [®]			
TITLE		AL-CF1752 ALUMINUM SLUG	
SCALE	SIZE	DRAWING NO.	REV
2:1	A	175201	A
DO NOT SCALE DRAWING			SHEET 2 OF 2