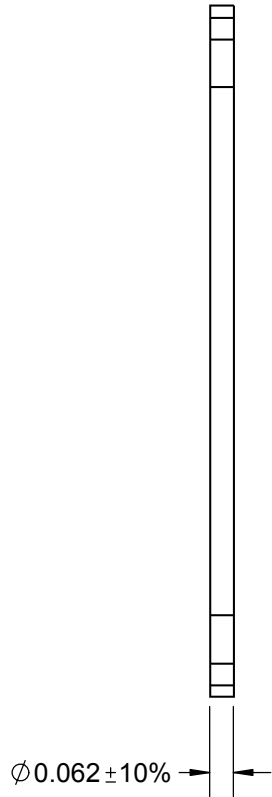
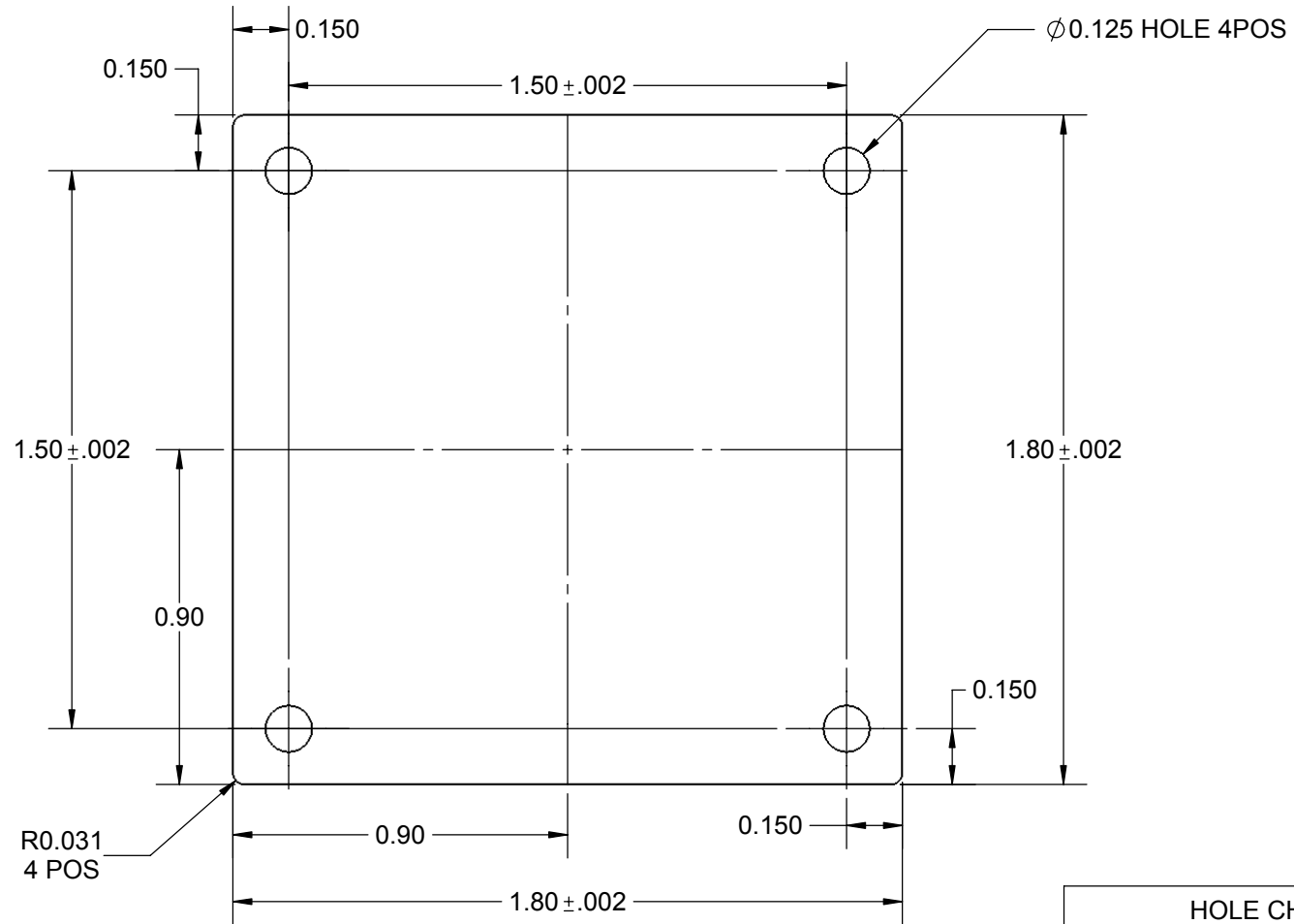


BOTTOM RETENTION PLATE

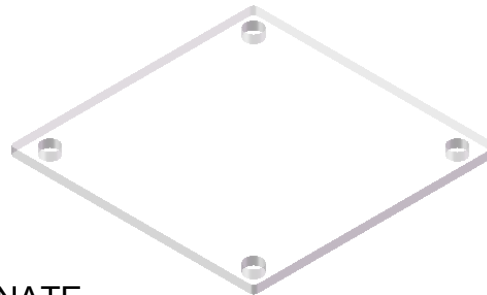
SIDE VIEW



TOP VIEW



MODEL



HOLE CHART

SYMBOL	DIAMETER UNPLATED	QTY HOLES
+	$\phi 0.125$	4

Notes: (Unless Otherwise Specified).

- 1) DIMENSIONS: INCH.
- 2) MATERIAL: CLEAR PC-300 POLYCARBONATE.
- 3) STATIC DISSIPATIVE $10^6 \sim 10^8 \Omega$ (ESD SAFE).

APPROVALS	DATE	TopLine®			
DRAWN T. Au	1/7/2016	TITLE FLIP PACK SYSTEM BOTTOM RETENTION PLATE			
ENG M. Hart	1/7/2016				
MFG		SCALE 1.25:1	SIZE A	DRAWING NO. 001050	REV A
QA		DO NOT SCALE DRAWING			SHEET 1 OF 1
CUST					
REVISED					