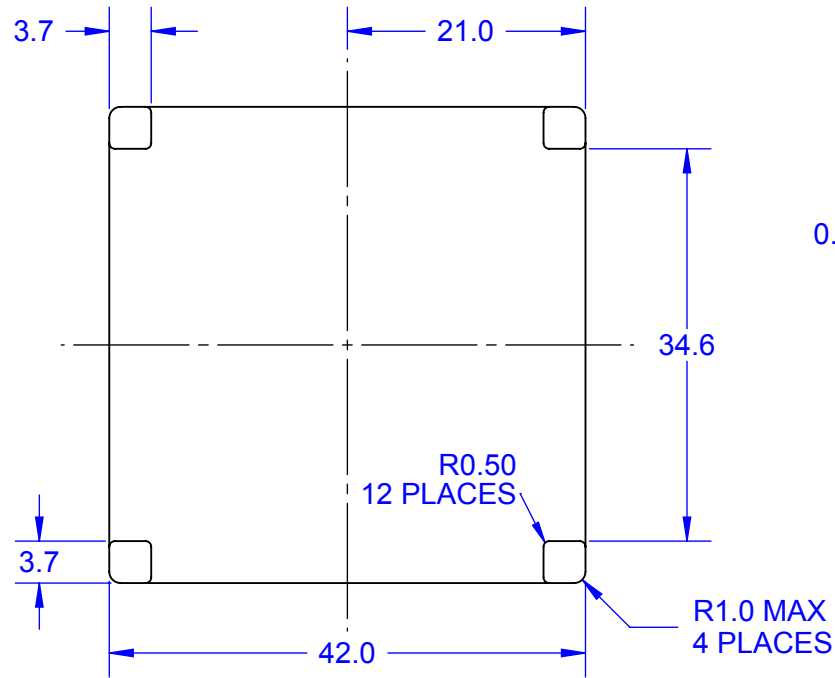
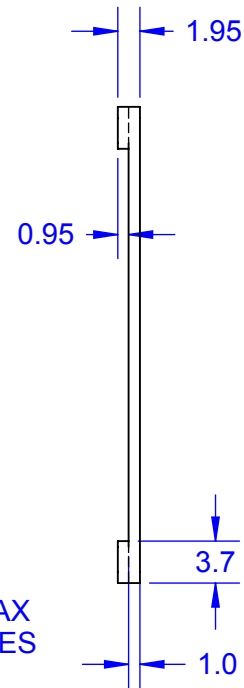


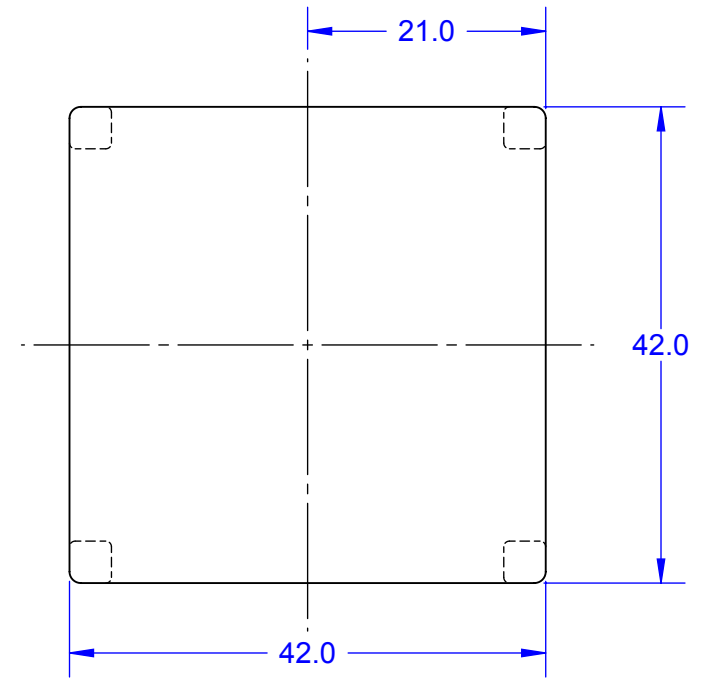
BOTTOM VIEW



SIDE VIEW

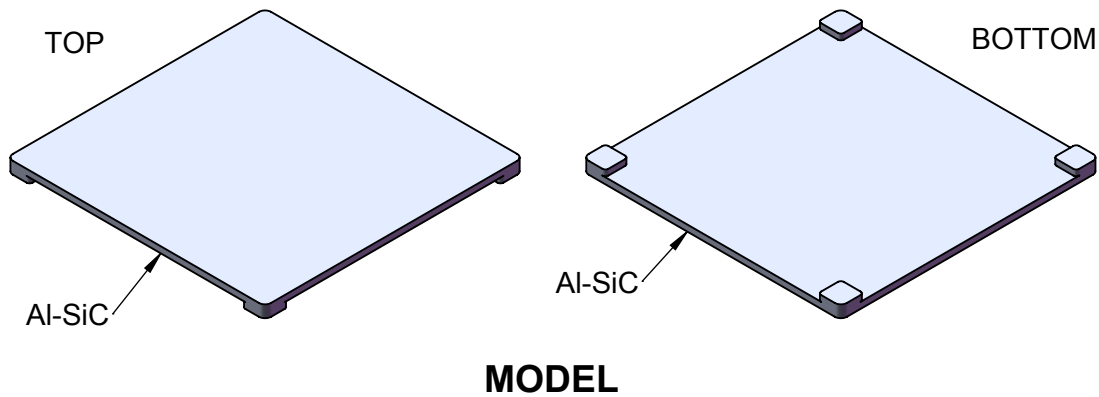


TOP VIEW



NOTES:

1. DIMENSIONS IN mm.
2. MATERIAL Al-SiC.
3. TOLERANCE ± 0.127 mm.



APPROVALS	DATE	TopLine®			
DRAWN T. Au	09/28/14				
ENG M. Hart	09/28/14	TITLE CN-CAP42A HEAT SPREADER			
MFG		SCALE	SIZE	DRAWING NO.	REV
QA		1.5:1	A	111420	A
CUST		DO NOT SCALE DRAWING			SHEET 1 OF 1
REVISED					