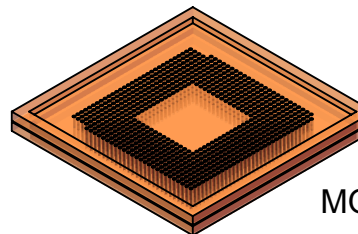
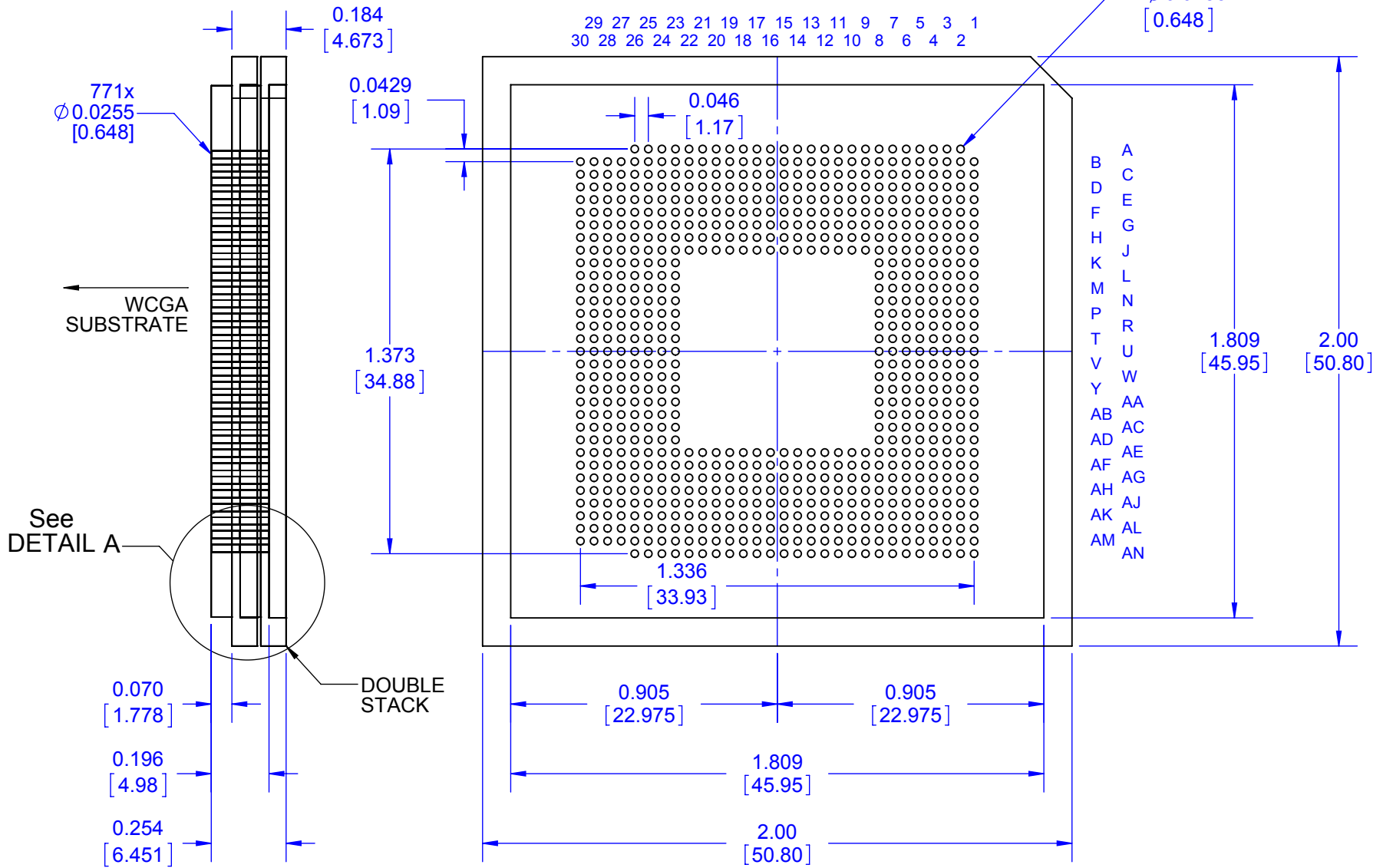


SIDE

TOP VIEW



MODEL

NOTES:
1. DIMENSIONS INCHES [MM].
2. SHOWN WITH MAXIMUM ARRAY.

TopLine[®]

TITLE PP771 PIN-PACK™
CCGA COLUMN CARRIER

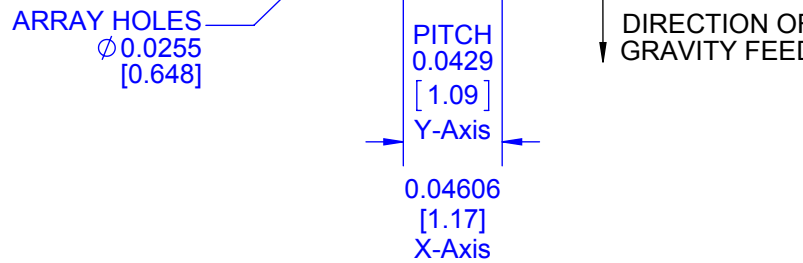
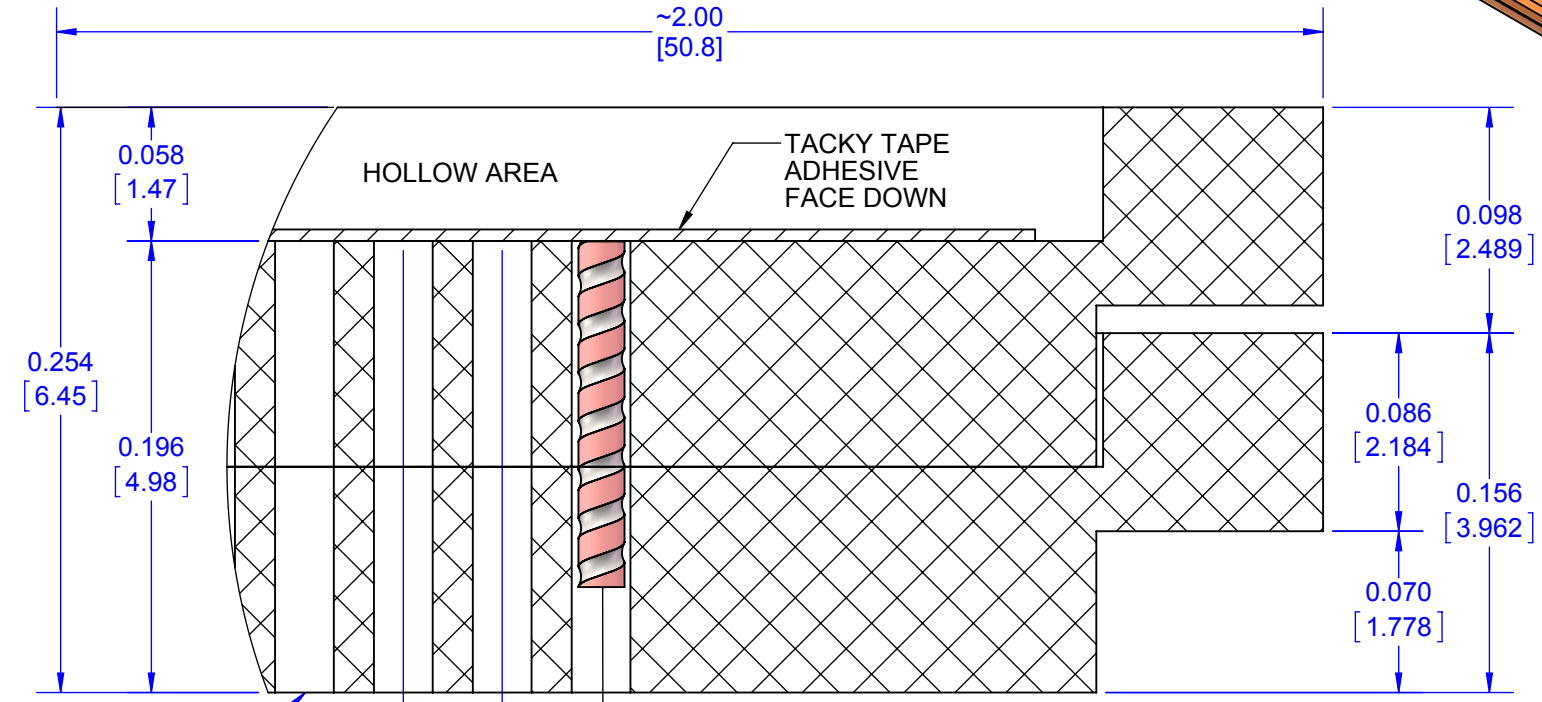
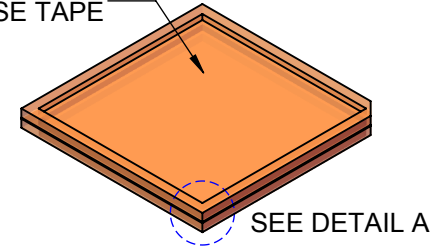
SCALE 2:1	SIZE A	DRAWING NO. 009333	REV A
--------------	-----------	-----------------------	----------

DO NOT SCALE DRAWING

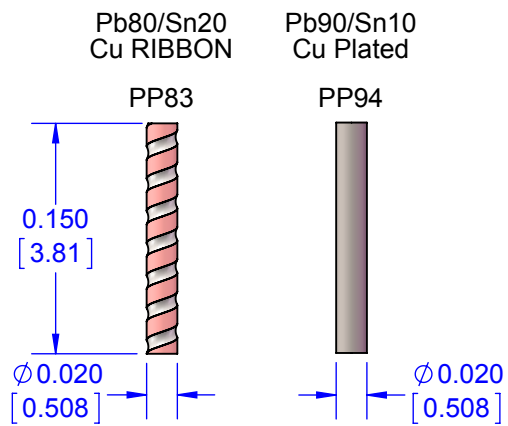
SHEET 1 OF 8

DOUBLE STACK DETAIL A

LOCATION OF TACKY RELEASE TAPE



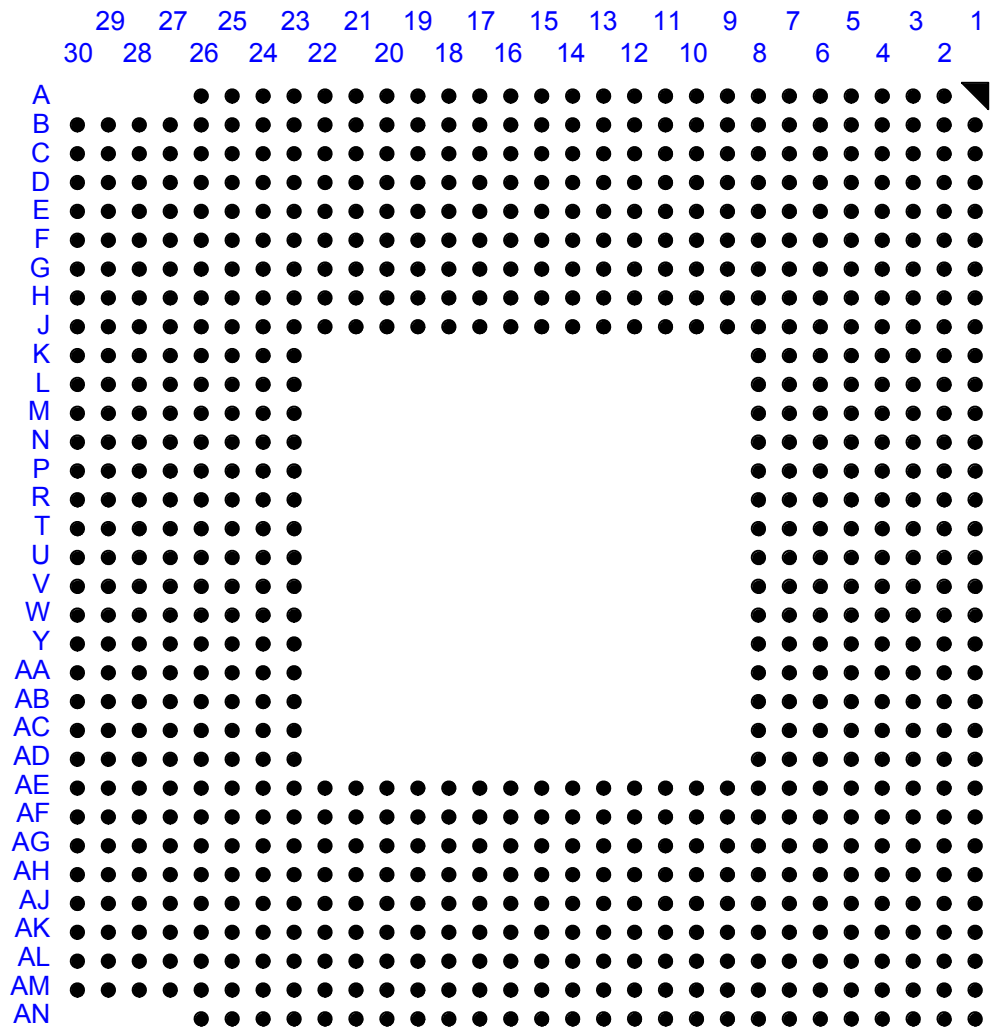
EXAMPLES OF COLUMNS



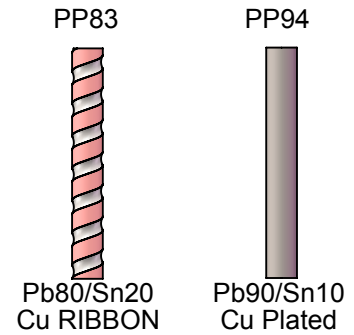
NOTES:
1. DIMENSIONS INCHES [MM].

TopLine®			
TITLE PP771 PIN-PACK™ CCGA COLUMN CARRIER			
SCALE 16:1	SIZE A	DRAWING NO. 009333	REV A
DO NOT SCALE DRAWING			SHEET 2 OF 8

PART NUMBER TABLE									
PIN-PACK™	Pins	Pitch	Matrix	COLUMN				Empty DWG	Filled DWG
				Alloy	Construction	∅ Dia	Length		
PP83C771Y20x150A	771	1.09mm Y-Axis	33x	Pb80/ Sn20	Cu Ribbon	0.508mm 0.020in	3.81mm 0.150in	009333	839333
		1.17mm X-Axis	30x						
PP94E771Y20x150A	771	1.09mm Y-Axis	33x	Pb90/ Sn10	Cu Plated	0.508mm 0.020in	3.81mm 0.150in	009333	949333
		1.17mm X-Axis	30x						

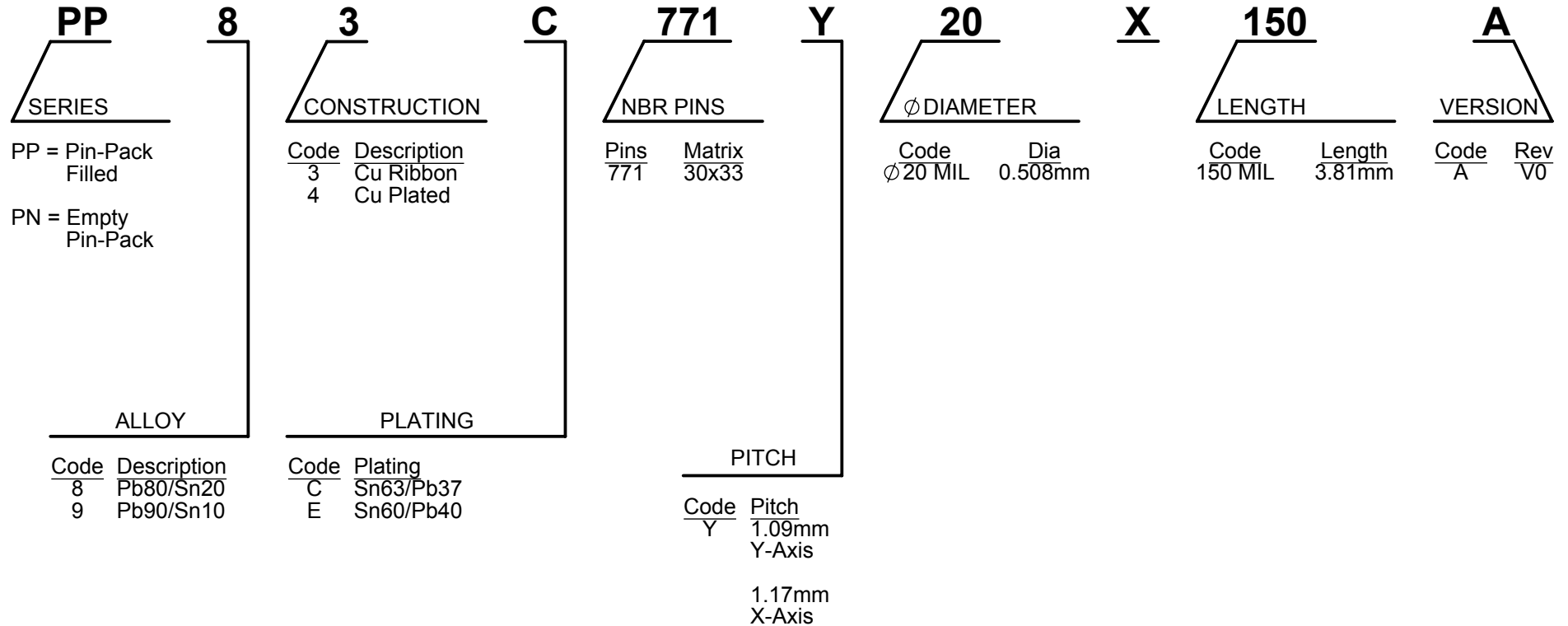


EXAMPLES OF COLUMNS

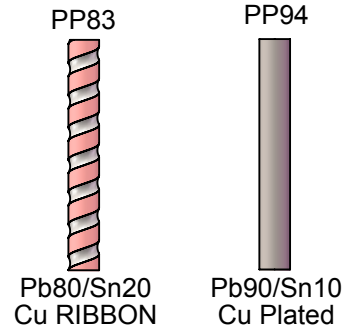


TopLine®			
TITLE PP771 PIN-PACK™ CCGA COLUMN CARRIER			
SCALE NONE	SIZE A	DRAWING NO. 009333	REV A
DO NOT SCALE DRAWING			SHEET 3 OF 8

PIN-PACK™ PART NUMBERING SYSTEM



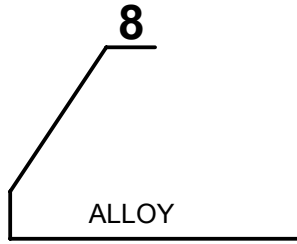
EXAMPLES OF COLUMNS



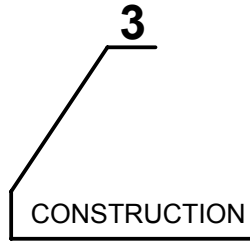
NOTE 1: COLUMN TO BE TRIMMED TO FINAL LENGTH AFTER ATTACHMENT.

TopLine®			
TITLE PP771 PIN-PACK™ CCGA COLUMN CARRIER			
SCALE 10:1	SIZE A	DRAWING NO. 009333	REV A
DO NOT SCALE DRAWING			SHEET 4 OF 8

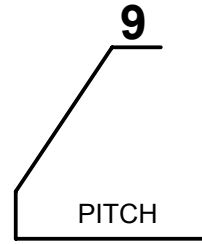
PIN-PACK™ DRAWING NUMBERING SYSTEM



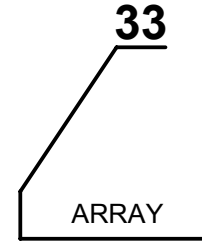
Code	Description
00	Empty
8	Pb80/Sn20
9	Pb90/Sn10



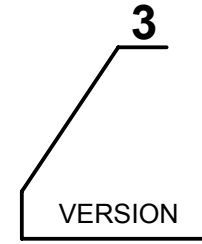
Code	Description
3	Cu Ribbon
4	Cu Plated



Code	Pitch
9	1.09mm Y-Axis
	1.17mm X-Axis



Code	Matrix
33	30x33



Code	Rev
3	771 PINS

EXAMPLES OF COLUMNS

PP83



Pb80/Sn20
Cu RIBBON

PP94



Pb90/Sn10
Cu Plated

TopLine®

TITLE PP771 PIN-PACK™
CCGA COLUMN CARRIER

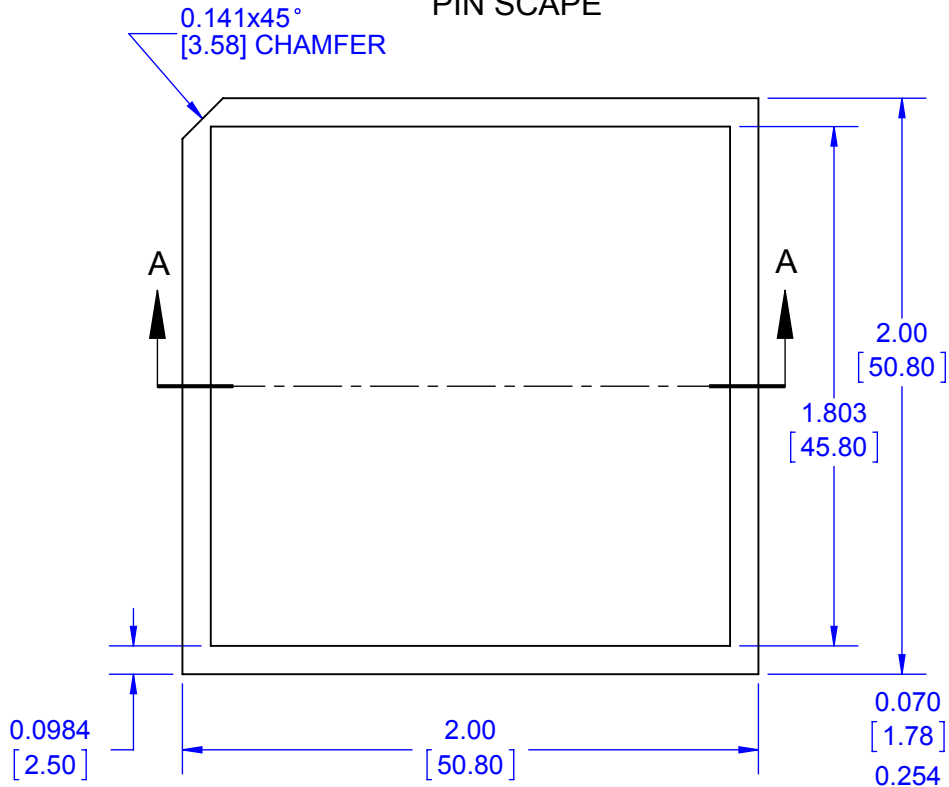
SCALE 10:1	SIZE A	DRAWING NO. 009333	REV A
---------------	-----------	-----------------------	----------

DO NOT SCALE DRAWING

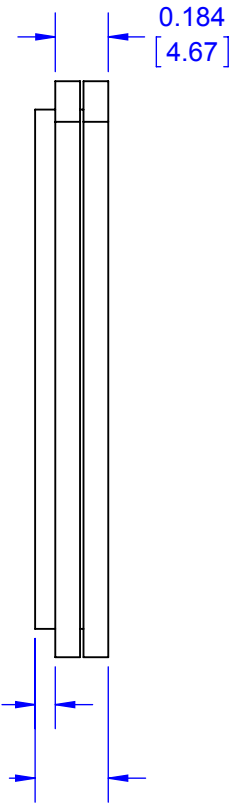
SHEET 5 OF 8

PIN-PACK™ OUTLINE

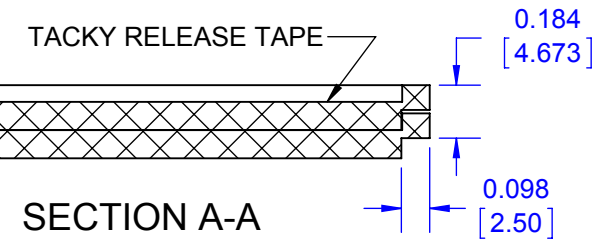
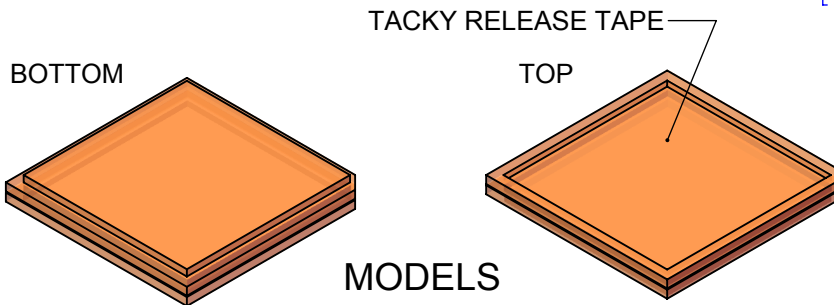
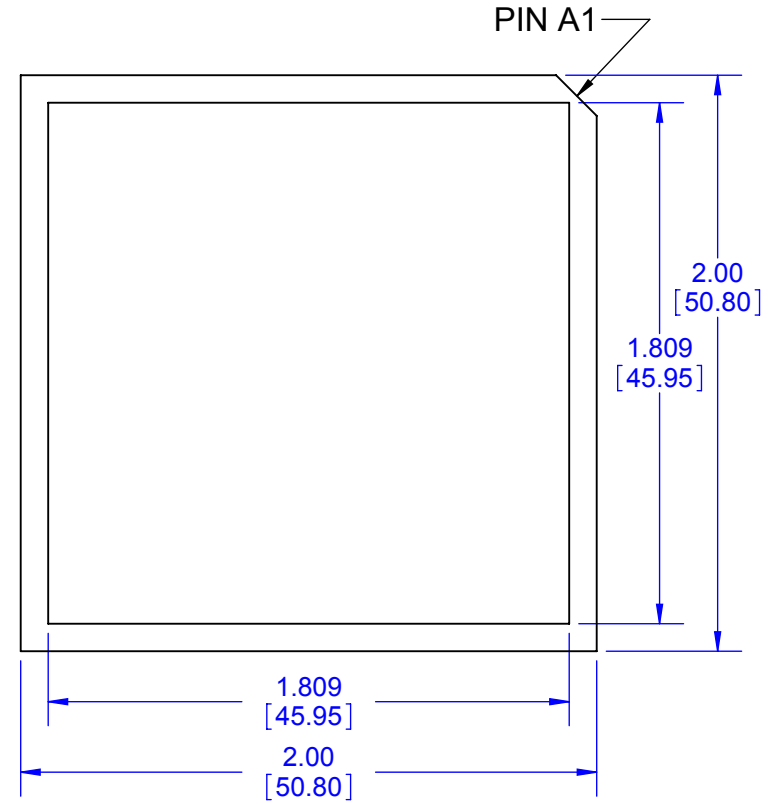
**BOTTOM
PIN SCAPE**



SIDE



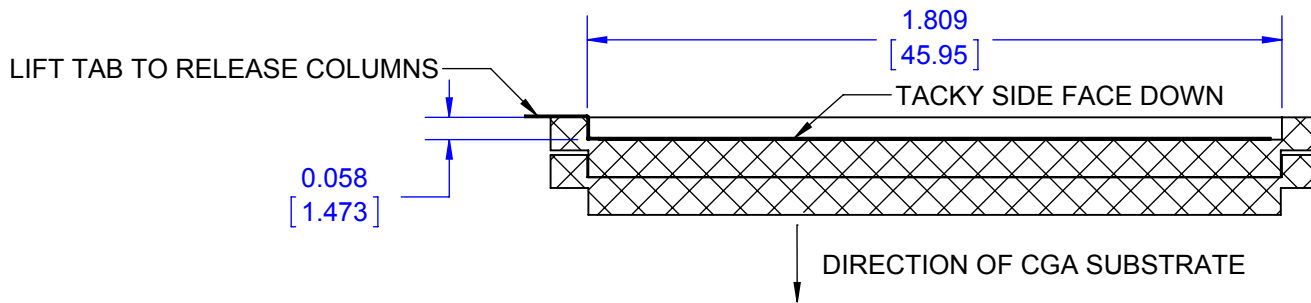
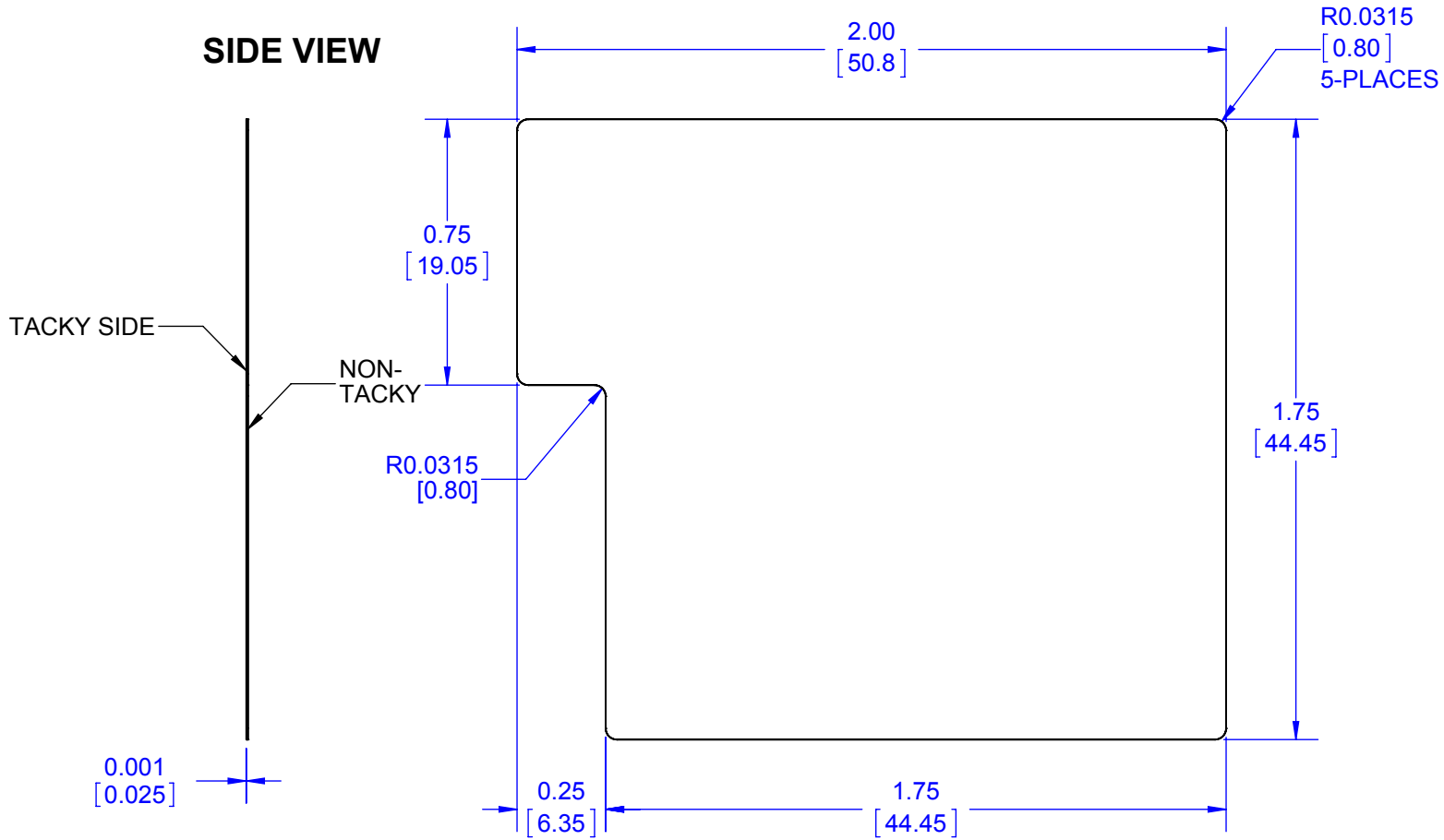
**TOP
TACKY RELEASE TAPE**



- NOTES:
1. DIMENSIONS INCHES [MM].
 2. SHOWN WITHOUT HOLES FOR CLARITY.
 3. PIN-PACK™ IS TRADEMARK OF TOPLINE.
 4. PIN-PACK™ PATENT PENDING.

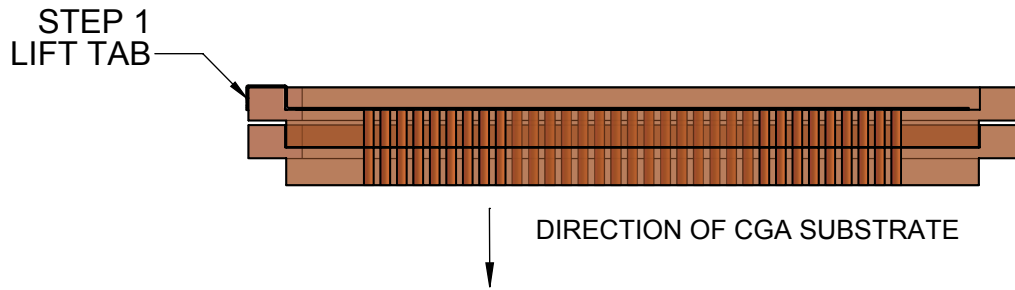
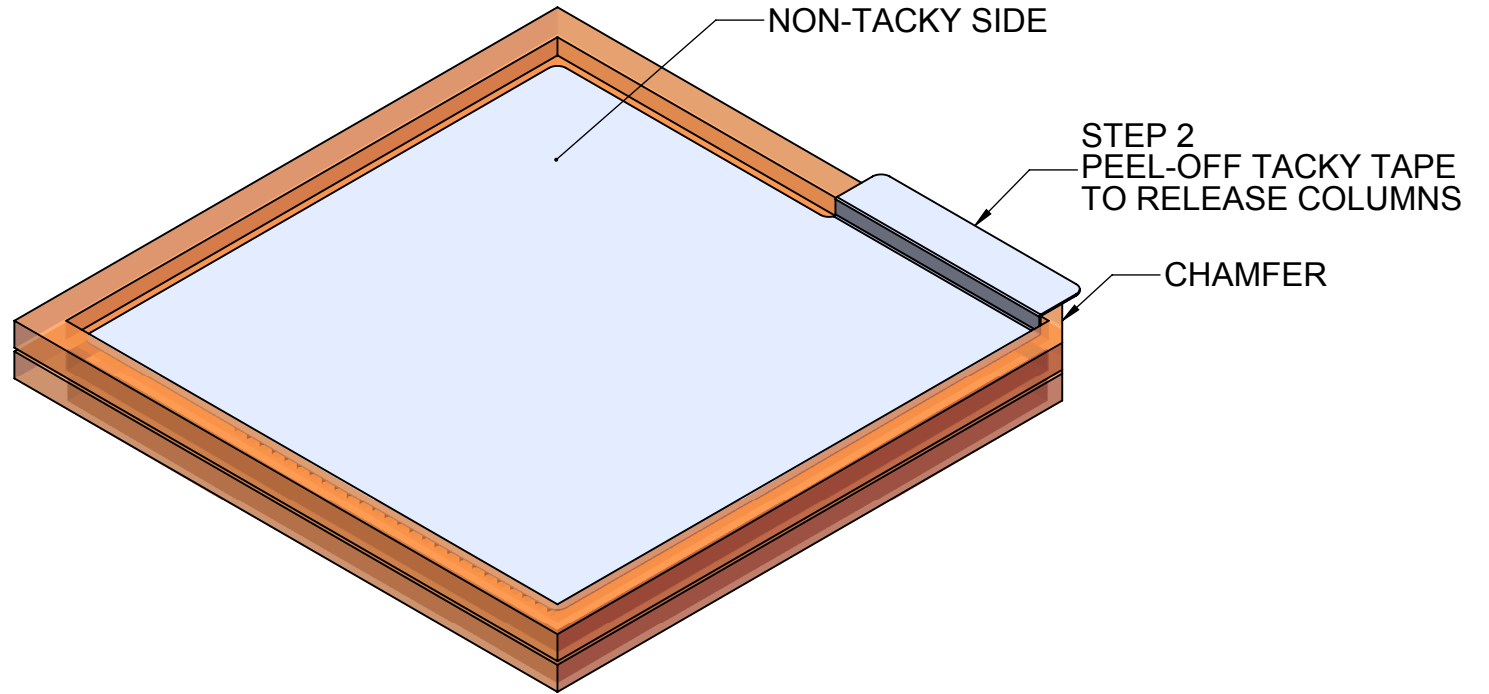
APPROVALS	DATE	TopLine®			
DRAWN T.Au	12/24/14				
ENG M. Hart	12/24/14	TITLE PP771 PIN-PACK™ CCGA COLUMN CARRIER			
MFG		SCALE	SIZE	DRAWING NO.	REV
QA		3:2	A	009333	A
CUST		DO NOT SCALE DRAWING			SHEET 6 OF 8
REVISED					

TACKY RELEASE TAPE TOP VIEW



TopLine®			
TITLE PP771 PIN-PACK™ CCGA COLUMN CARRIER			
SCALE 2:1	SIZE A	DRAWING NO. 009333	REV B
DO NOT SCALE DRAWING			SHEET 7 OF 8

TACKY RELEASE TAPE MODEL



TopLine[®]			
TITLE PP771 PIN-PACK™ CCGA COLUMN CARRIER			
SCALE 1.5:1	SIZE A	DRAWING NO. 009333	REV B
DO NOT SCALE DRAWING			SHEET 8 OF 8