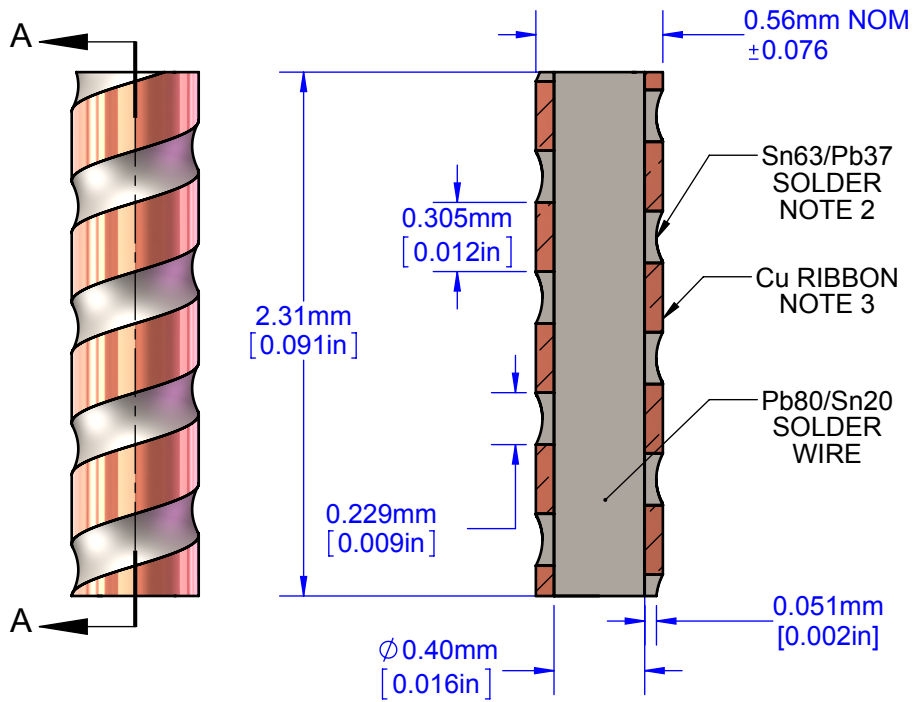
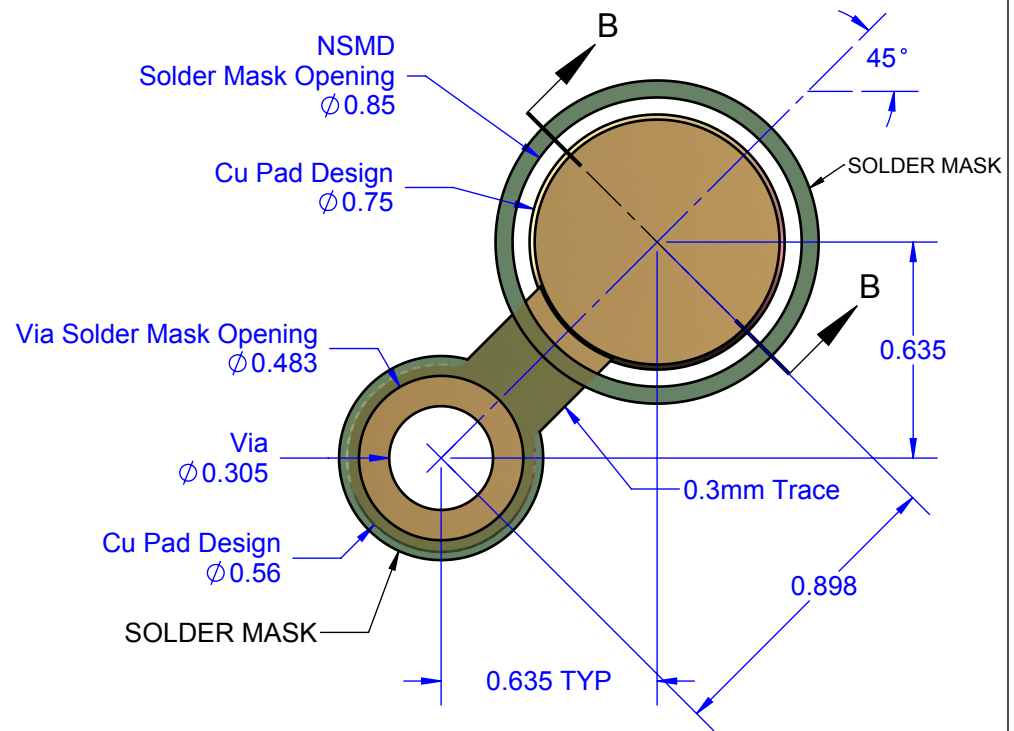


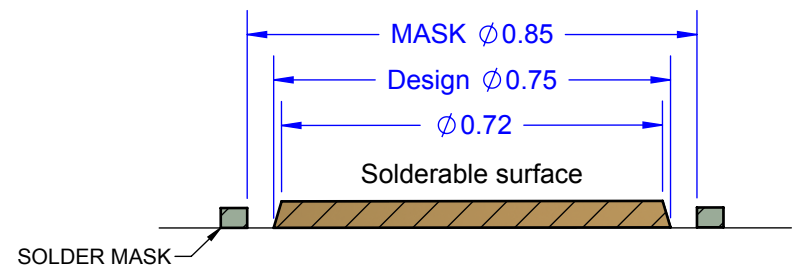
### SECTION VIEW



### PCB LAND PATTERN (NOTE 4)

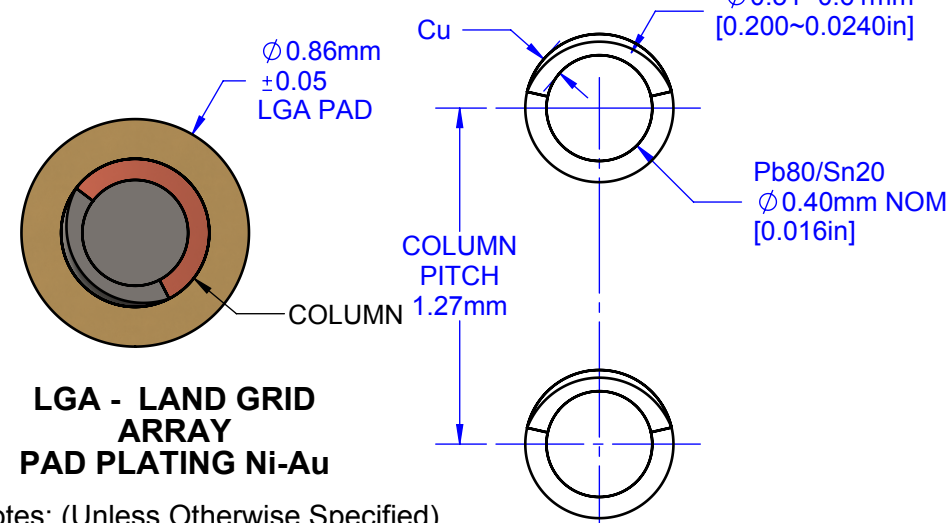


### Cu PAD SIDE VIEW



### Section B-B

APPROVALS	DATE	<b>TopLine®</b>			
DRAWN T.Au	02/18/15				
ENG M. Hart	02/18/15	TITLE CG8020C22x91 CCGA SOLDER COLUMN			
MFG		SCALE 30:1	SIZE A	DRAWING NO. 802291	REV A
QA		DO NOT SCALE DRAWING			SHEET 1 OF 1
CUST					
REVISED					



### LGA - LAND GRID ARRAY PAD PLATING Ni-Au

- Notes: (Unless Otherwise Specified).
- 1) DIMENSIONS IN mm [INCHES].
  - 2) THICKNESS Sn63/Pb37 SOLDER COAT 6~25µm [0.25~1.0mil].
  - 3) Cu ALLOY C10100 - OFE (CDA-101). 99.99% PURE.
  - 4) PCB BOARD DIMENSIONS ARE PRESENTED ONLY AS A GUIDELINE. DESIGNERS SHOULD USE THEIR OWN EXPERIENCE WHEN DESIGNING PCB.