
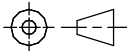
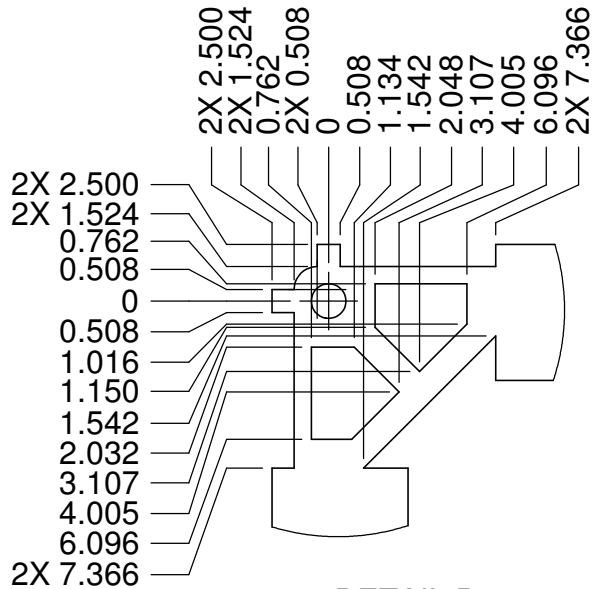


TOLERANCE UNLESS NOTED		APPROVALS	DATE				
X.X	+/- 0.3	DRAWN J. Hines	11/12/2010				
X.XX	+/- 0.03						
X.XXX	+/- 0.003						
ANGLES +/- 0.5°		ENG		<b>SCALE</b> 1.75:1 <b>SIZE</b> A <b>DRAWING NO.</b> 132172 <b>REV</b> A			
ALL DIMENSIONS IN		MFG					
<input type="checkbox"/> INCHES <input checked="" type="checkbox"/> MILLIMETERS		QA		<b>DO NOT SCALE DRAWING</b> <b>SHEET 1 OF 4</b>			
		CUST					
		REVISED					

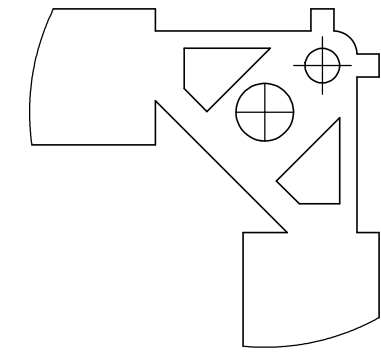
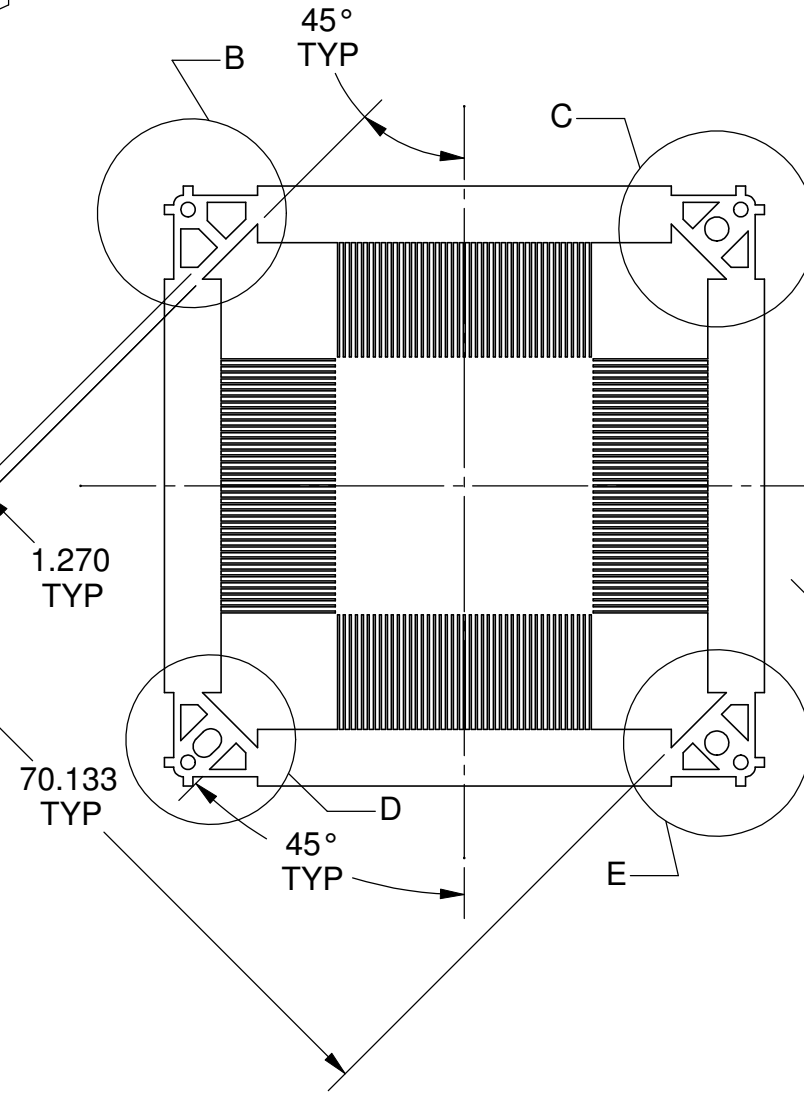
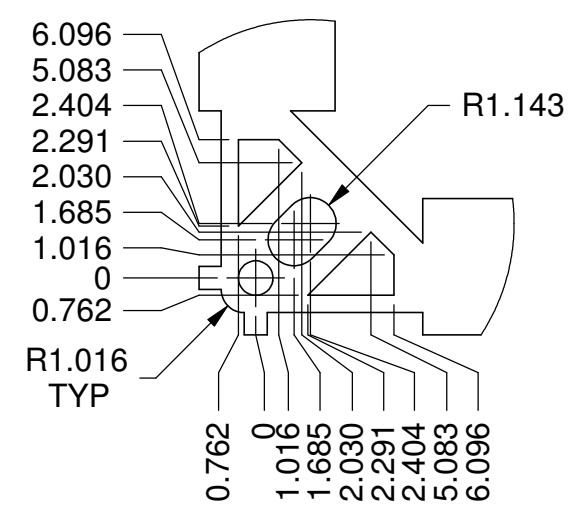
# CERQUAD LEAD FRAME



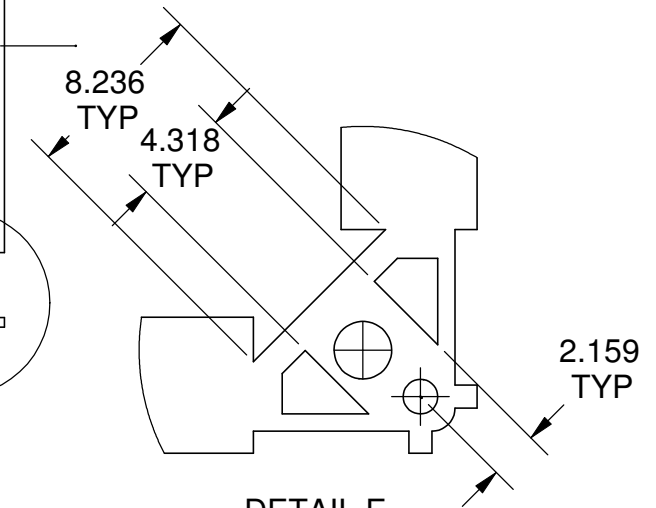
DETAIL B  
SCALE 3 : 1

DETAIL D  
SCALE 3 : 1

TYPICAL CORNER CUTOUTS  
DIMENSIONED IN THIS DETAIL



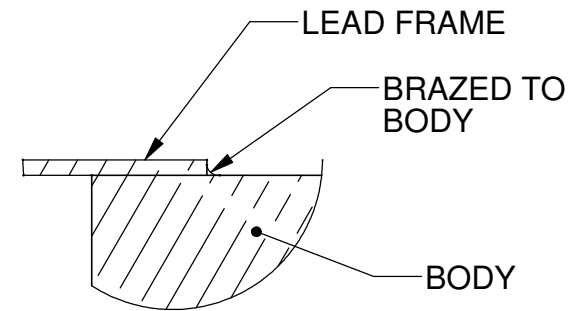
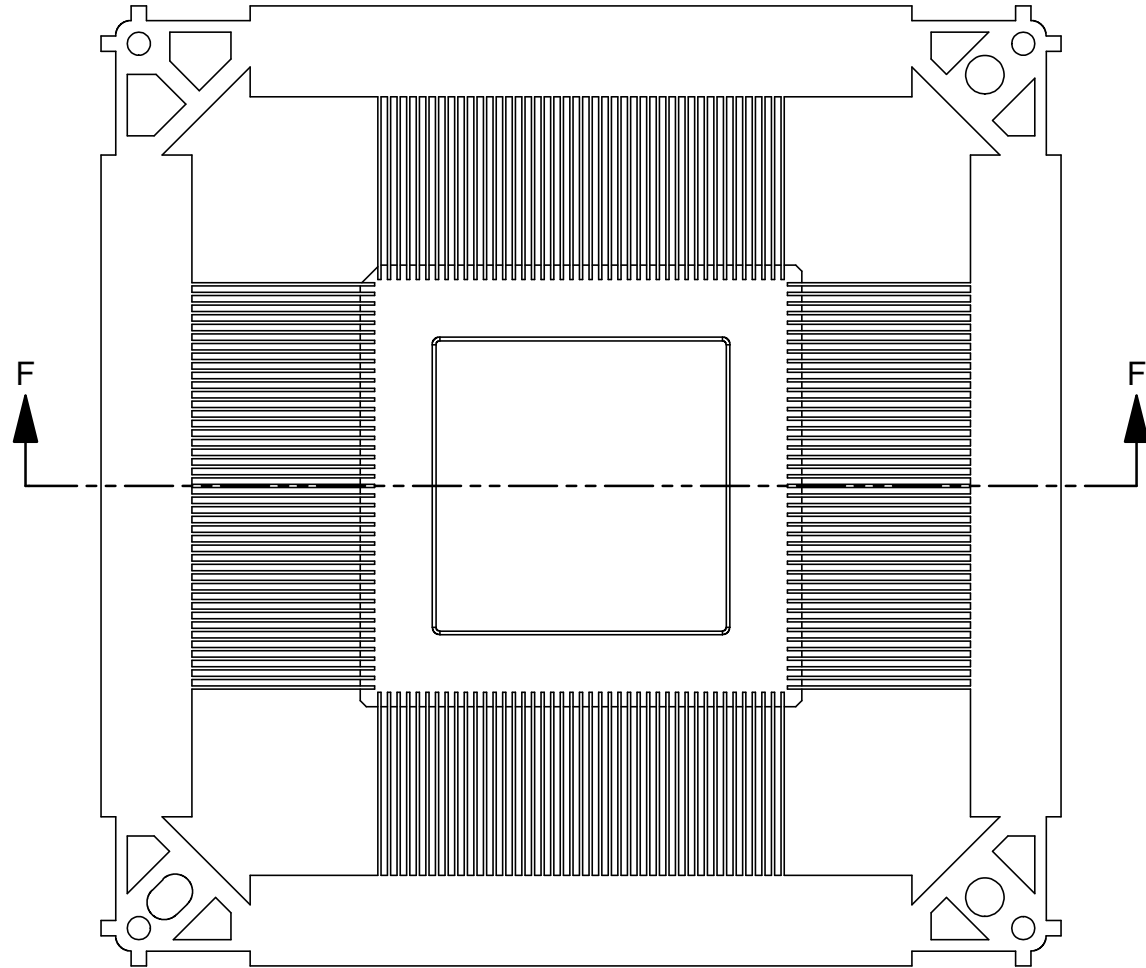
DETAIL C  
SCALE 3 : 1



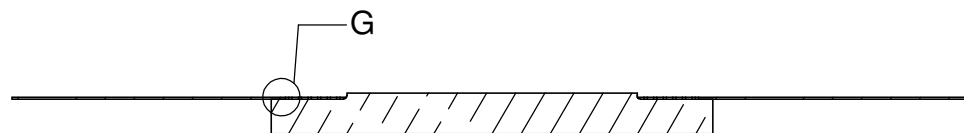
DETAIL E  
SCALE 3 : 1

<b>TopLine</b> ®			
TITLE CERQUAD172F25A DUMMY 172 PIN - 0.025 INCH PITCH			
SCALE 1.25:1	SIZE A	DRAWING NO. 132172	REV A
DO NOT SCALE DRAWING		SHEET 2 OF 4	

# CERQUAD LEAD FRAME



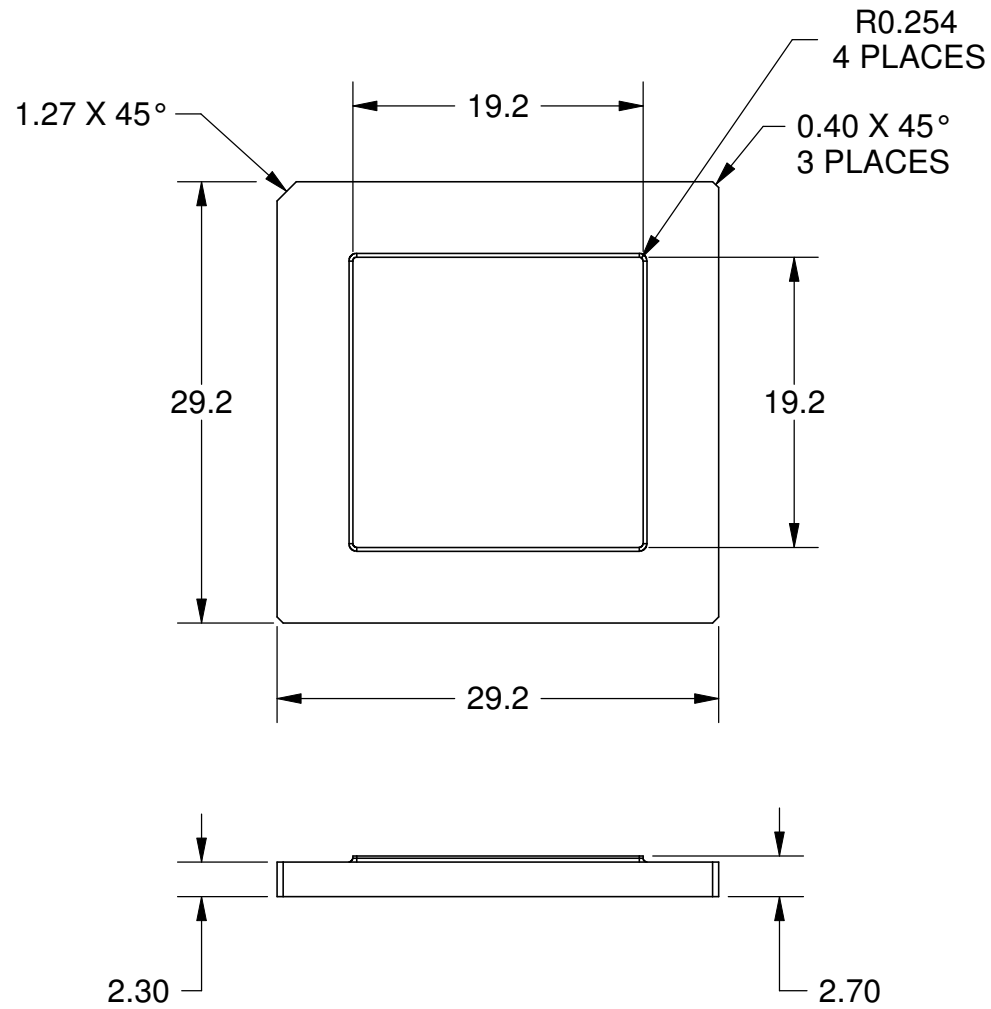
DETAIL G  
SCALE 16 : 1



SECTION F-F

<b>TopLine</b> <sup>®</sup>			
TITLE CERQUAD172F25A DUMMY 172 PIN - 0.025 INCH PITCH			
SCALE 2:1	SIZE A	DRAWING NO. 132172	REV A
DO NOT SCALE DRAWING		SHEET 3 OF 4	

# CERQUAD BODY



**TopLine**®

TITLE CERQUAD172F25A DUMMY  
172 PIN - 0.025 INCH PITCH

SCALE	SIZE	DRAWING NO.	REV
2:1	A	132172	A

DO NOT SCALE DRAWING

SHEET 4 OF 4