
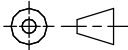
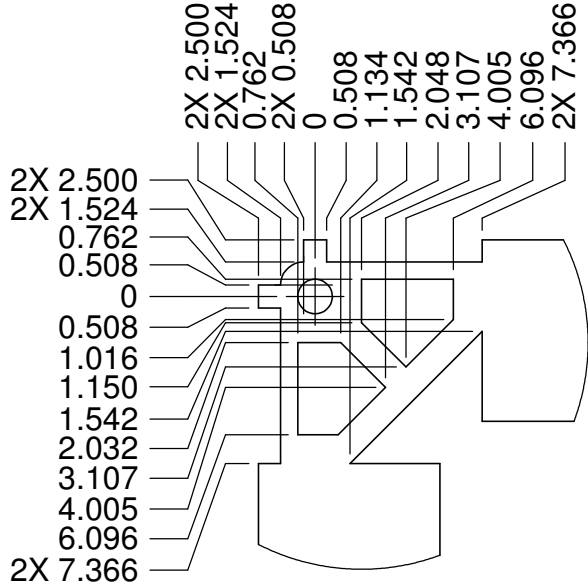


Notes: (Unless Otherwise Specified).

- 1) DIMENSIONS: MM [INCH]
- 2) FLAT LEADS ON ALLOY 42 TIE BAR.
- 3) ALL EXPOSED METAL GOLD PLATED (Au).
- 4) PINS: 240, METRIC LEAD PITCH 0.5mm.

TOLERANCE UNLESS NOTED		APPROVALS	DATE				
X.X	+/- 0.3	DRAWN J. Hines	10/15/2010				
X.XX	+/- 0.03						
X.XXX	+/- 0.003						
ANGLES +/- 0.5°		ENG		SCALE 1.5:1 SIZE A DRAWING NO. 132240 REV A			
ALL DIMENSIONS IN		MFG					
□ INCHES ☒ MILLIMETERS		QA		DO NOT SCALE DRAWING SHEET 1 OF 4			
THIRD ANGLE PROJECTION		CUST					
		REVISED					

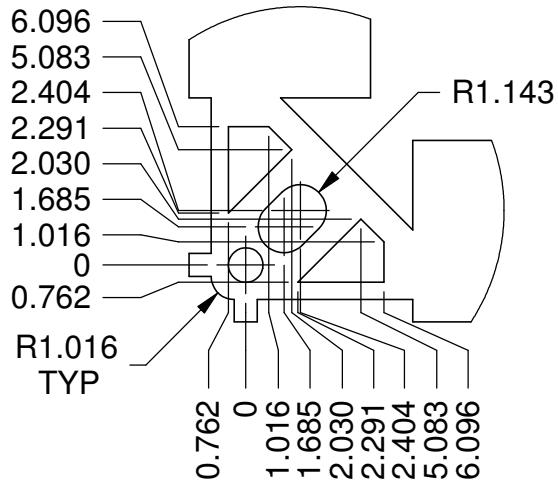
CERQUAD LEAD FRAME



DETAIL B
SCALE 3 : 1

DETAIL D
SCALE 3 : 1

TYPICAL CORNER CUTOUTS
DIMENSIONED IN THIS DETAIL

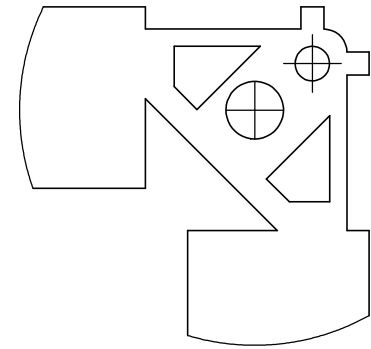


1.270
TYP

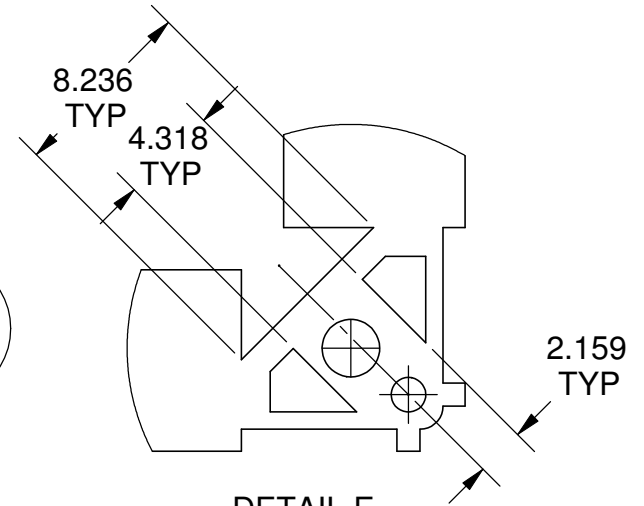
86.397
TYP

45°
TYP

45°
TYP



DETAIL C
SCALE 3 : 1



DETAIL E
SCALE 3 : 1

TopLine[®]

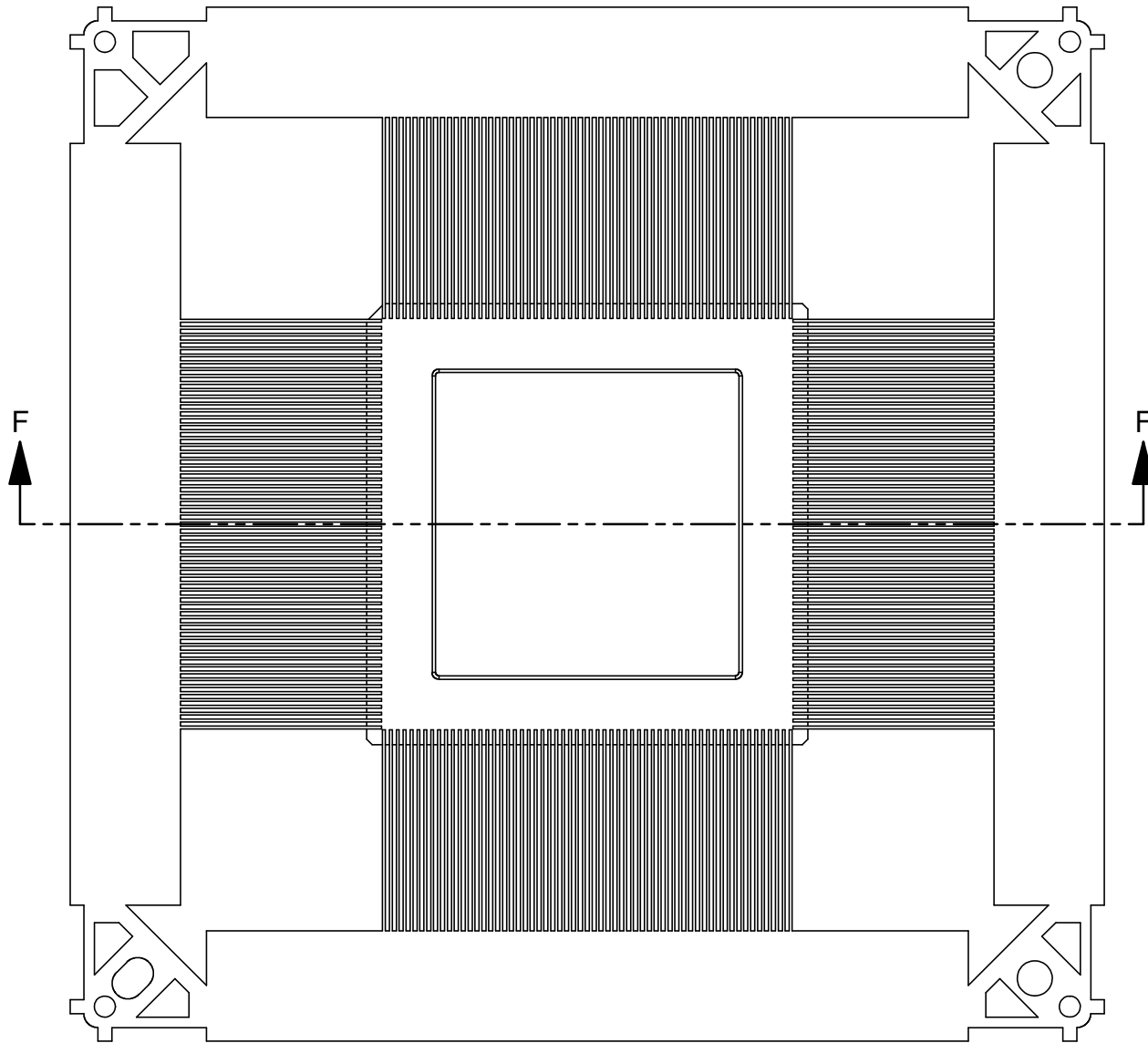
TITLE CERQUAD240F19.7A DUMMY
240 PIN - 0.5mm PITCH

SCALE	SIZE	DRAWING NO.	REV
1:1	A	132240	A

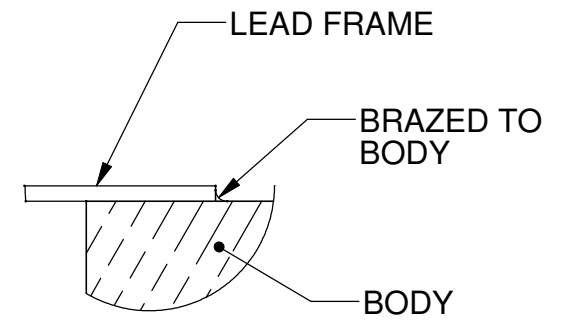
DO NOT SCALE DRAWING

SHEET 2 OF 4

CERQUAD LEAD FRAME



SECTION F-F



DETAIL G
SCALE 16 : 1

TopLine®

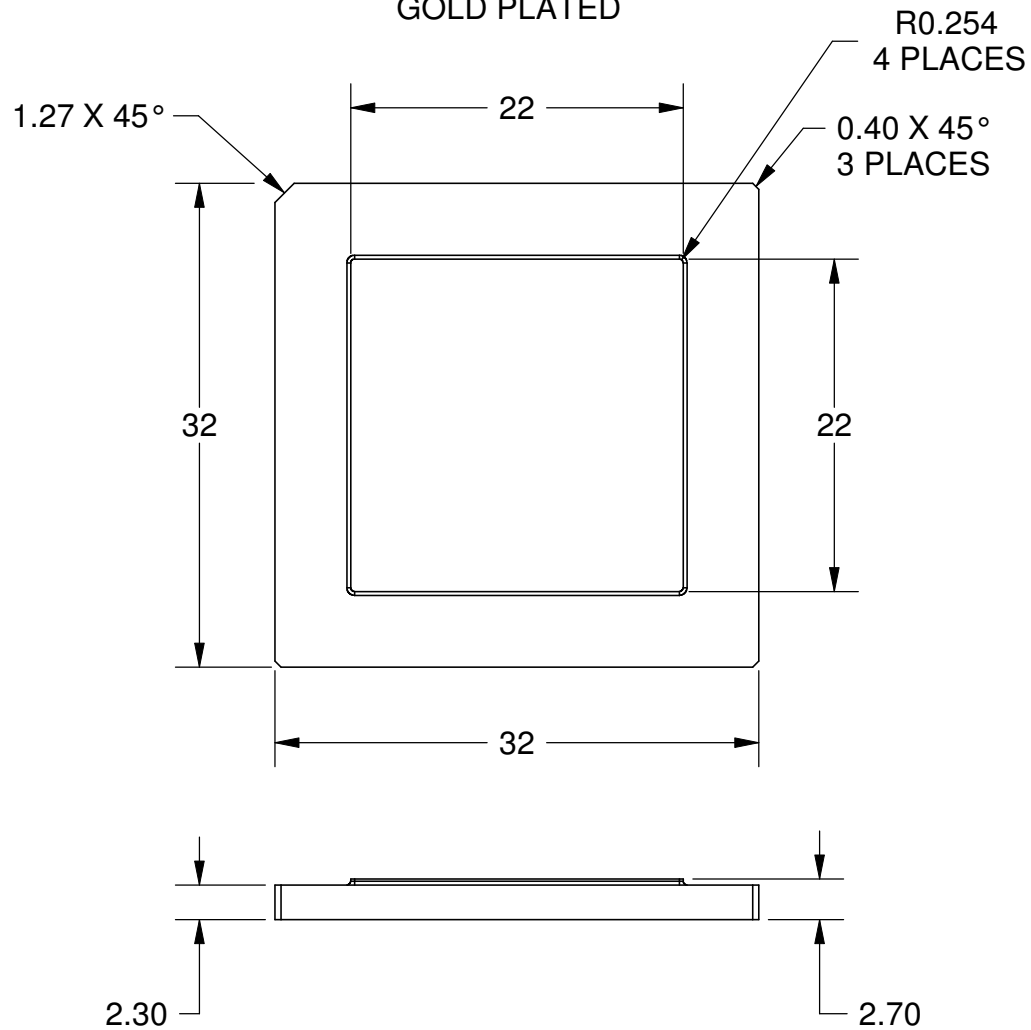
TITLE CERQUAD240F19.7A DUMMY
240 PIN - 0.5mm PITCH

SCALE	SIZE	DRAWING NO.	REV
2:1	A	132240	A

DO NOT SCALE DRAWING

SHEET 3 OF 4

CERQUAD BODY
ALLOY 42
GOLD PLATED



TopLine®

TITLE CERQUAD240F19.7A DUMMY
240 PIN - 0.5mm PITCH

SCALE	SIZE	DRAWING NO.	REV
2:1	A	132240	A

DO NOT SCALE DRAWING

SHEET 4 OF 4