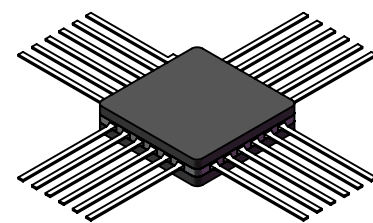
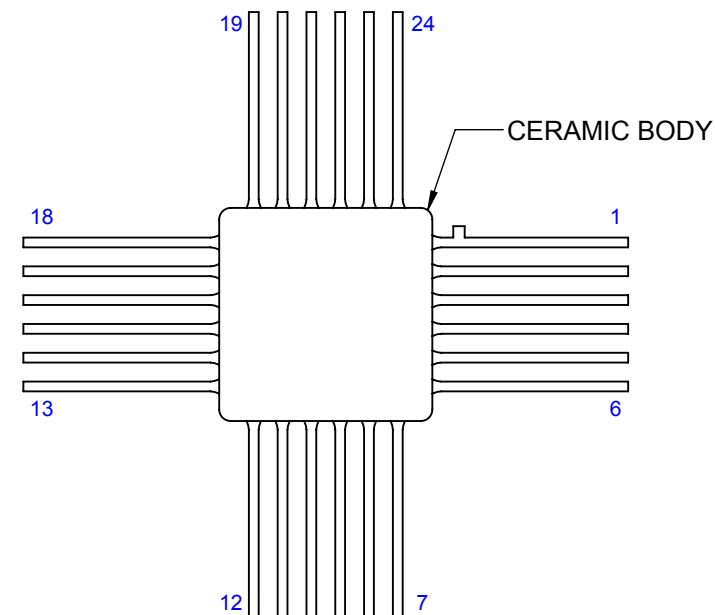
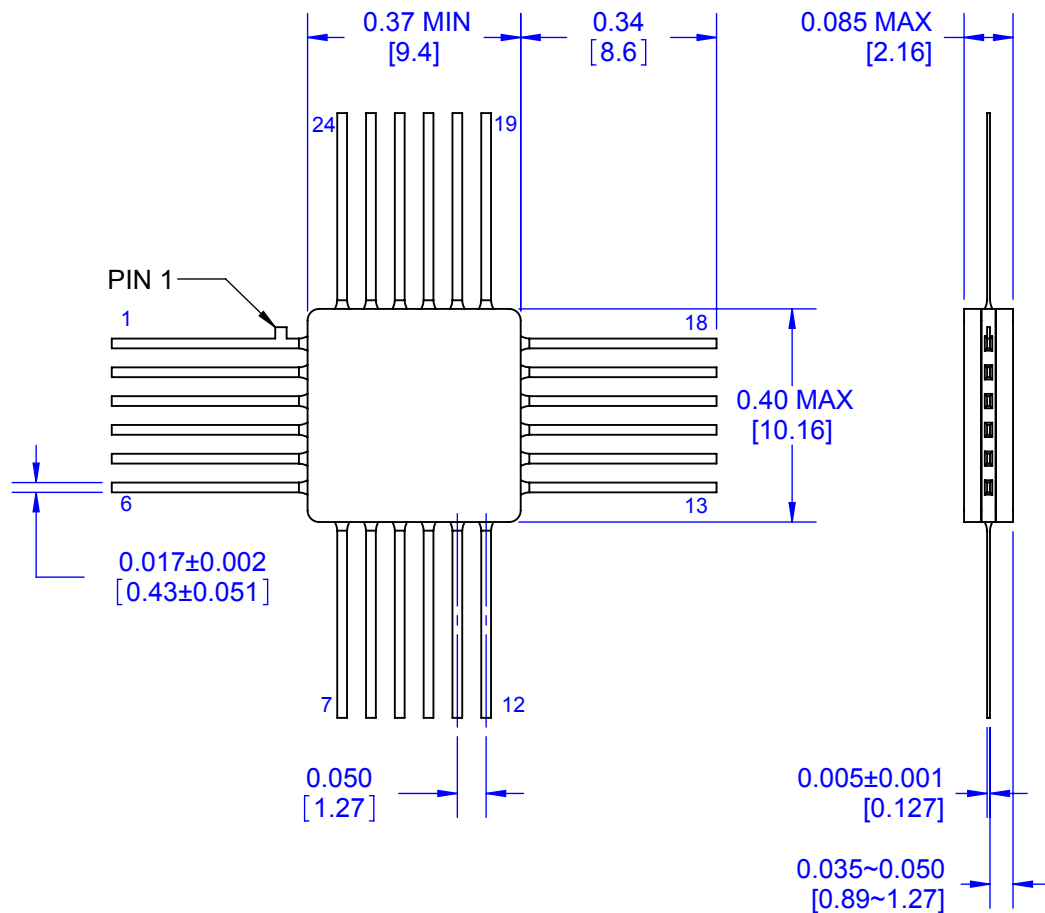


TOP

SIDE

BOTTOM



MODEL

NOTES:

- 1) CONTROLLING DIMENSION: INCH [mm].
- 2) FLAT LEADS KOVAR OR ALLOY 42.
- 3) ALL EXPOSED METAL IS Sn/Pb PLATED.
- 4) INDIVIDUALLY STORED IN PLASTIC CARRIER.

APPROVALS	DATE	TopLine®			
DRAWN T.Au	02/22/14				
ENG M. Hart	02/22/14	TITLE CERQUAD24C50-SC 24 PIN 1.27mm PITCH			
MFG		SCALE	SIZE	DRAWING NO.	REV
QA		3:1	A	132024	A
CUST		DO NOT SCALE DRAWING			SHEET 1 OF 1
REVISED					