

1.27 X 45°

PIN 1

0.40 X 45°
3 PLACES

0.50
[.019685]
PITCH

0.203
[.008]
LEAD WIDTH
AFTER TRIM

SECTION A-A

0.127
[.005]

BODY
ALLOY 42

LEAD FRAME
ALLOY 42

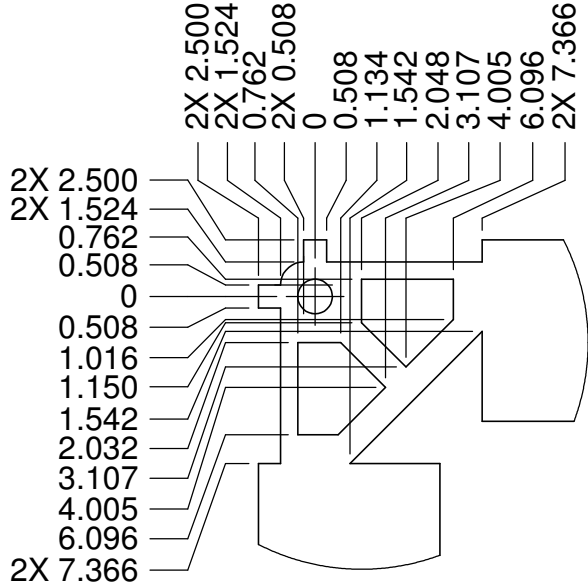
2.30

2.70 MAX (INCLUDING LID)

- Notes: (Unless Otherwise Specified).
 1) DIMENSIONS: MM [INCH]
 2) FLAT LEADS ON ALLOY 42 TIE BAR.
 3) ALL EXPOSED METAL GOLD PLATED (Au).
 4) PINS: 256, METRIC LEAD PITCH 0.5mm.

TOLERANCE UNLESS NOTED		APPROVALS	DATE				
X.X	+/- 0.3	DRAWN J. Hines	10/15/2010				
X.XX	+/- 0.03			256 PIN - 0.5mm PITCH			
X.XXX	+/- 0.003	ENG		SCALE	SIZE	DRAWING NO.	REV
ANGLES +/- 0.5°		MFG		1.5:1	A	132256	A
ALL DIMENSIONS IN		QA		DO NOT SCALE DRAWING			
☐ INCHES ☒ MILLIMETERS		CUST		SHEET 1 OF 4			
THIRD ANGLE PROJECTION		REVISED					

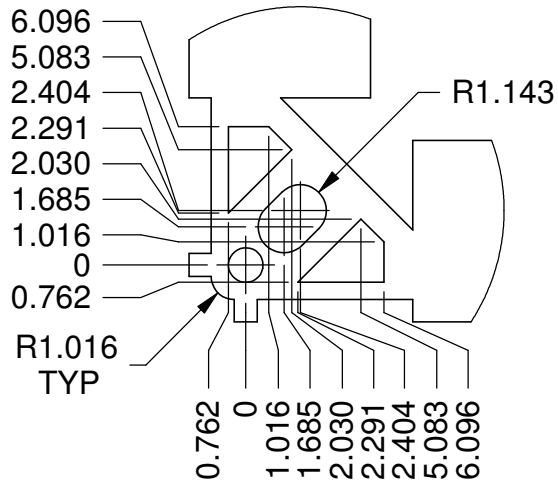
CERQUAD LEAD FRAME



DETAIL B
SCALE 3 : 1

DETAIL D
SCALE 3 : 1

TYPICAL CORNER CUTOUTS
DIMENSIONED IN THIS DETAIL

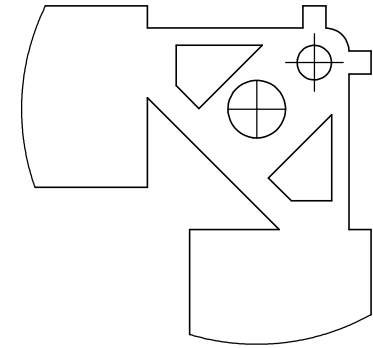


1.270
TYP

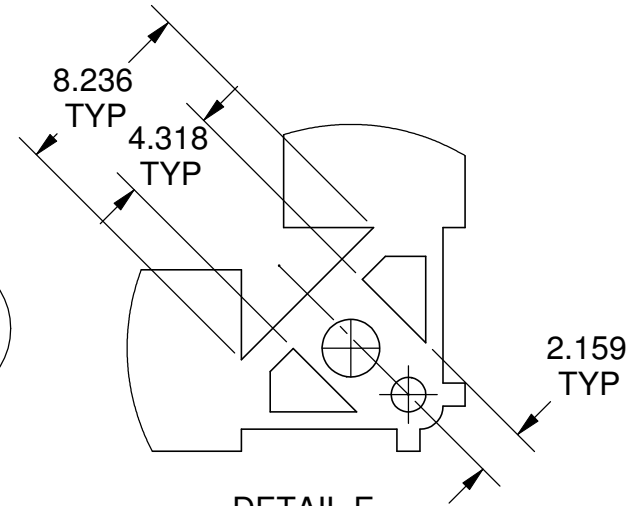
86.397
TYP

45°
TYP

45°
TYP



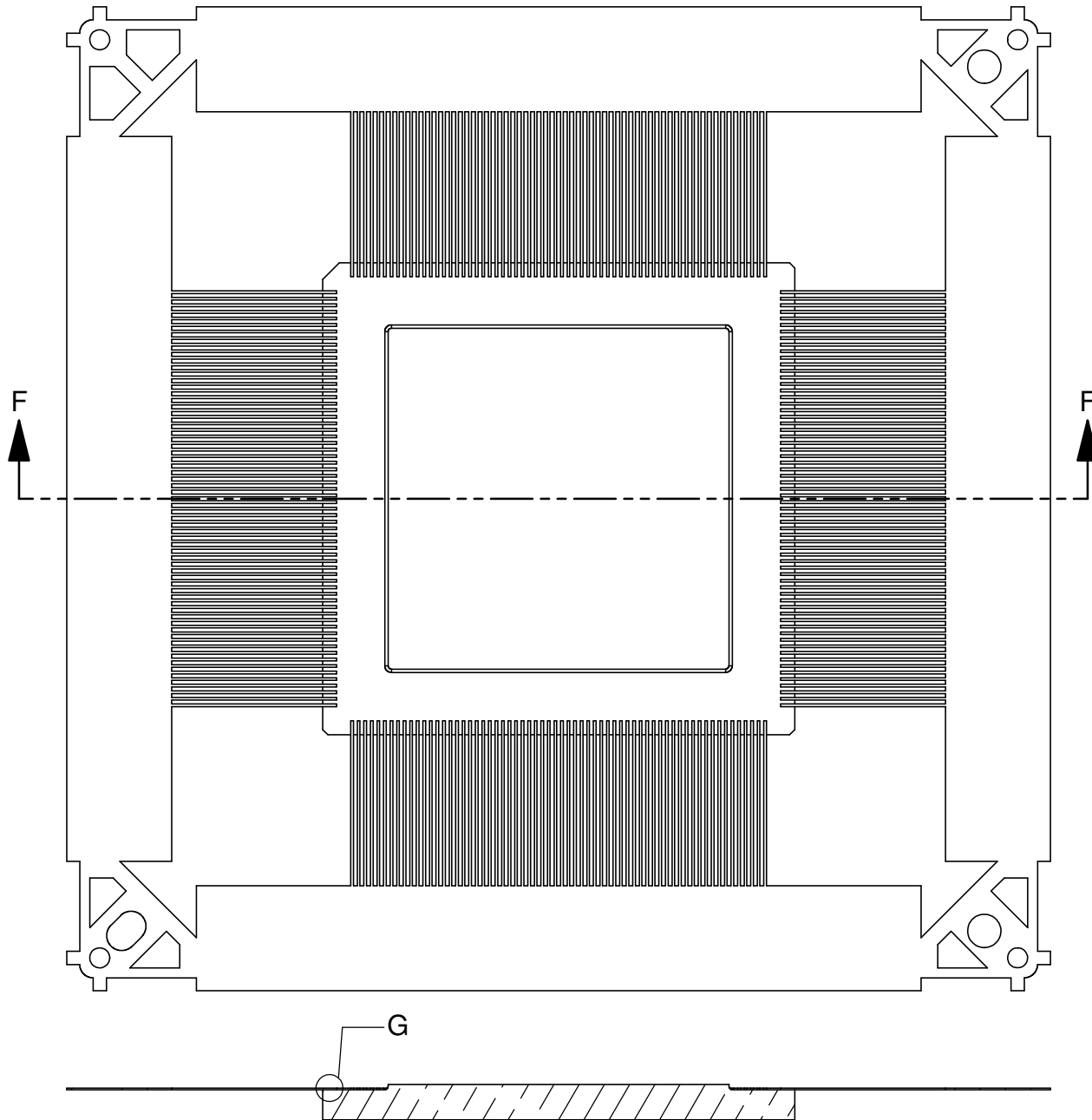
DETAIL C
SCALE 3 : 1



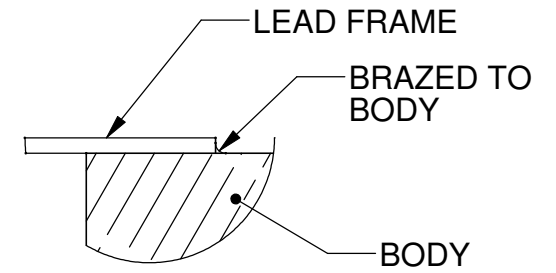
DETAIL E
SCALE 3 : 1

TopLine [®]			
TITLE CERQUAD256F19.7A DUMMY 256 PIN - 0.5mm PITCH			
SCALE 1:1	SIZE A	DRAWING NO. 132256	REV A
DO NOT SCALE DRAWING		SHEET 2 OF 4	

CERQUAD LEAD FRAME



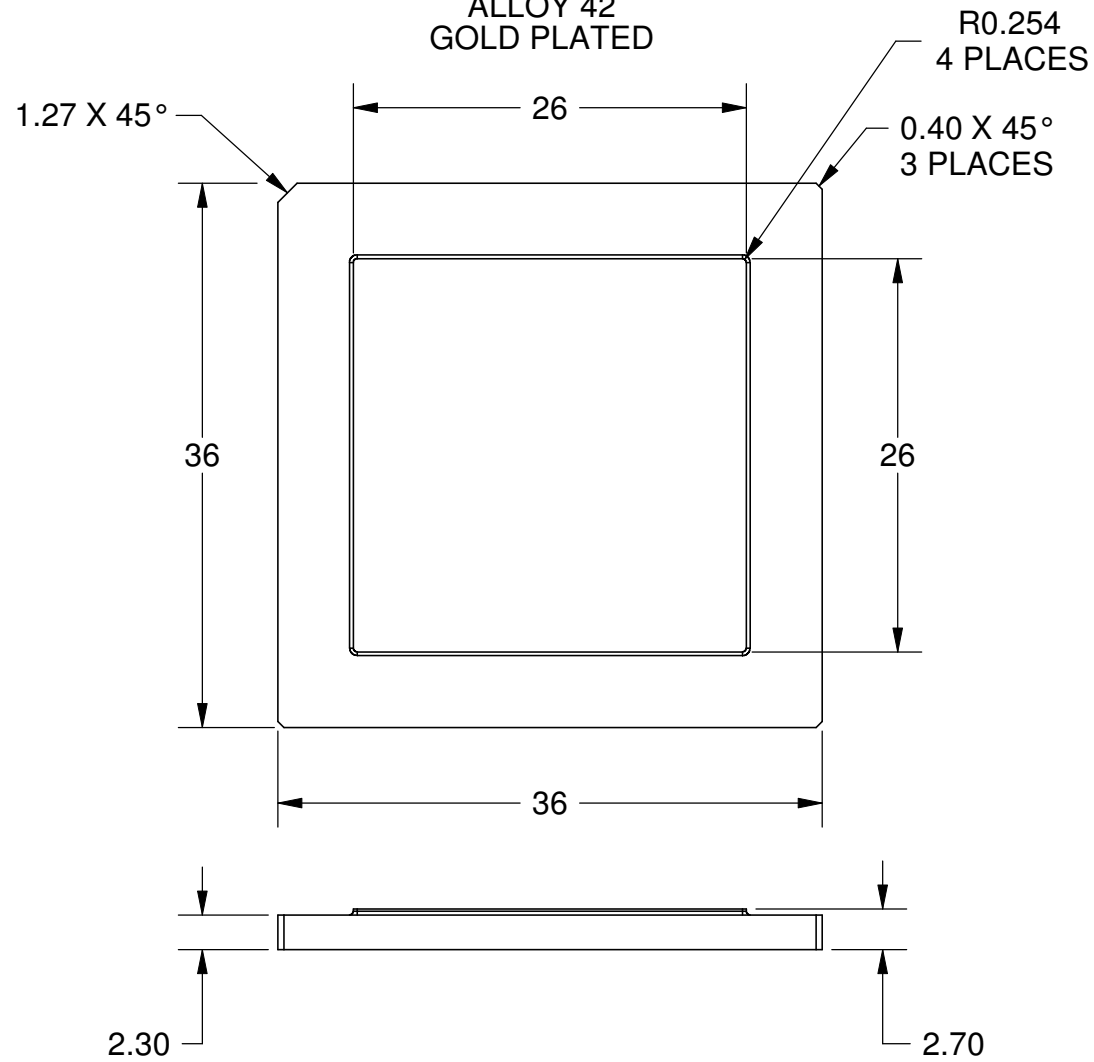
SECTION F-F



DETAIL G
SCALE 16 : 1

TopLine [®]			
TITLE CERQUAD256F19.7A DUMMY 256 PIN - 0.5mm PITCH			
SCALE 2:1	SIZE A	DRAWING NO. 132256	REV A
DO NOT SCALE DRAWING		SHEET 3 OF 4	

CERQUAD BODY
ALLOY 42
GOLD PLATED



TopLine®

TITLE CERQUAD256F19.7A DUMMY
256 PIN - 0.5mm PITCH

SCALE	SIZE	DRAWING NO.	REV
2:1	A	132256	A

DO NOT SCALE DRAWING

SHEET 4 OF 4