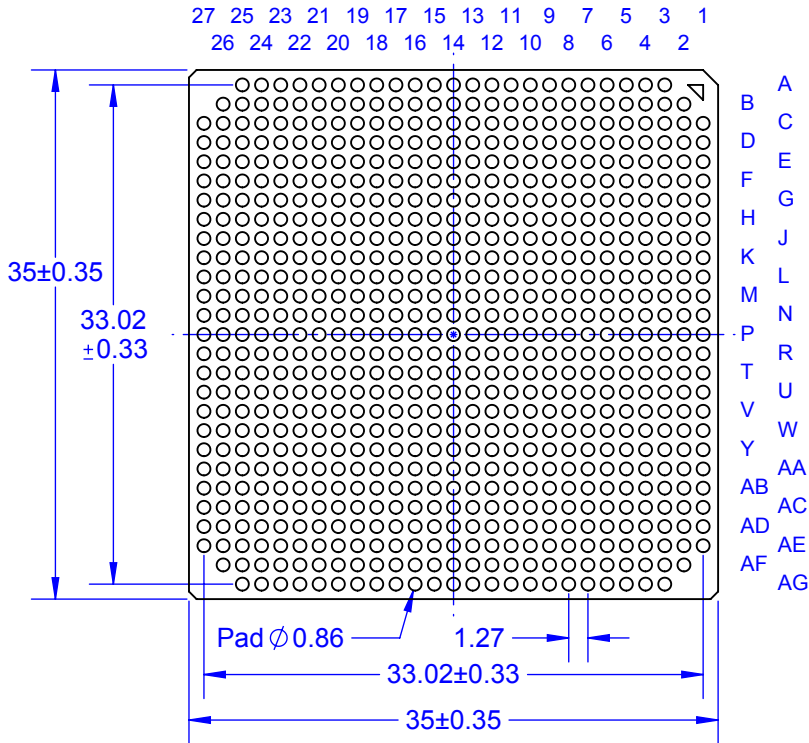
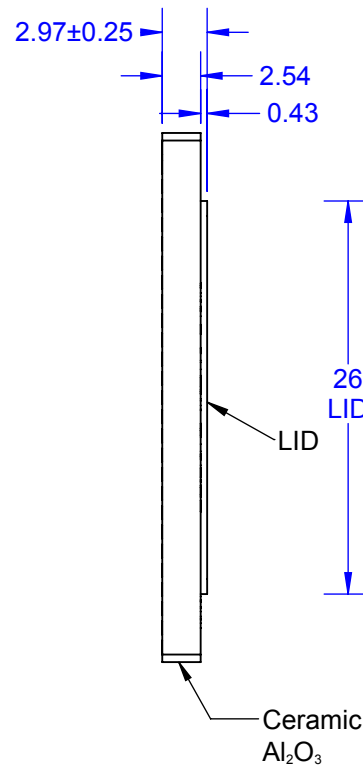


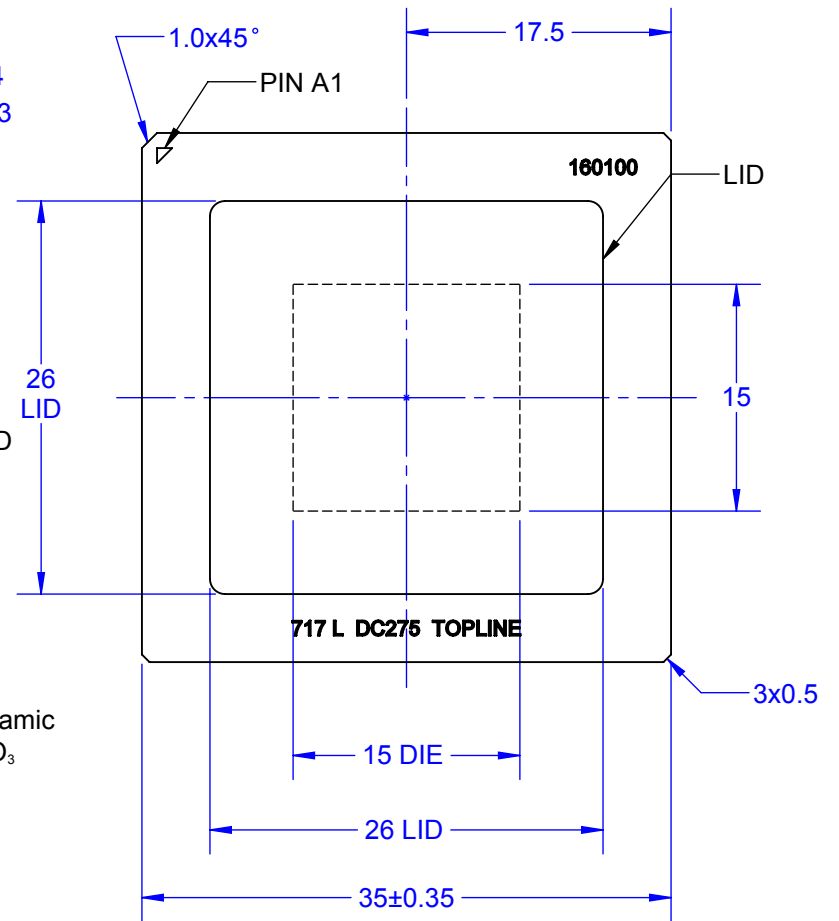
BOTTOM VIEW



SIDE VIEW



TOP VIEW



NOTES:

1. PLATING TOP
ELECTROLESS Ni $3.20 \sim 8.89 \mu\text{m}$ (125~350 micro-inch).
ELECTROLESS Au $2.50 \mu\text{m}$ Min (100 micro-inch).
2. PLATING BOTTOM
ELECTROLESS Ni $3.20 \sim 8.89 \mu\text{m}$ (125~350 micro-inch).
ELECTROLESS Au $0.25 \mu\text{m}$ Max (10 micro-inch).

Notes: (Unless Otherwise Specified).

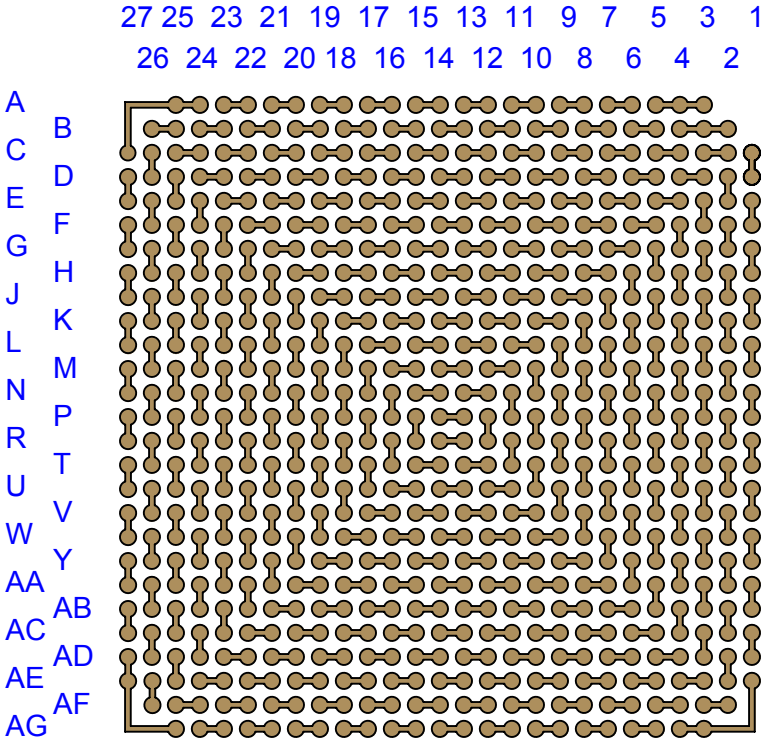
- 1) DIMENSIONS ARE IN mm.
- 2) SHOWN WITHOUT COLUMNS.
- 3) SHOWN WITH LID COVER ATTACHED.
- 4) PART NUMBER CLGA717T1.27-DC275D.

| PART NUMBER OPTIONS | | | |
|---------------------|-----------|------------|-----|
| PART NUMBER | DUMMY DIE | SOLDER PIN | LID |
| CLGA717T1.27-DC275D | YES | NONE | YES |

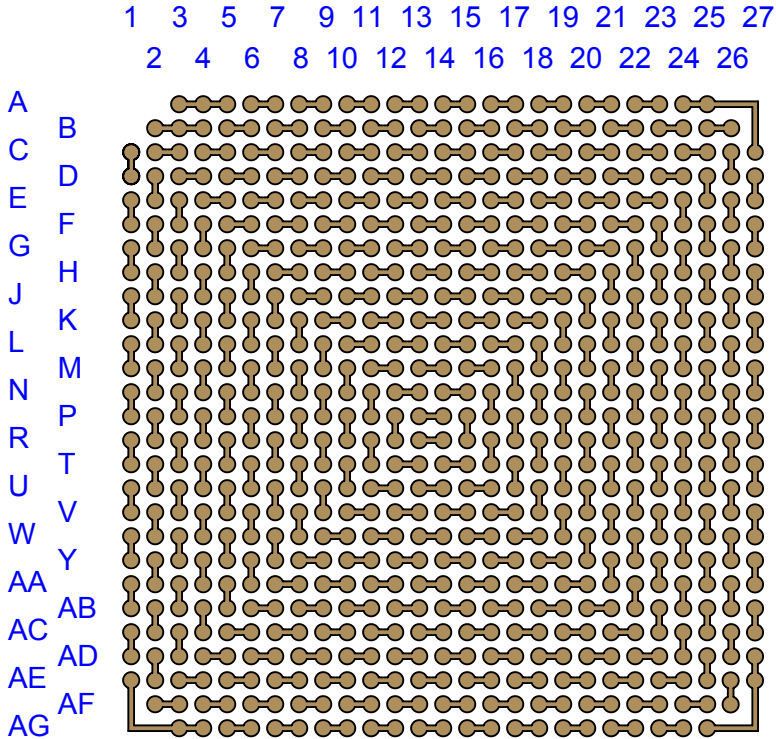
| | | | |
|--|-----------|-----------------------|--------------|
| TopLine® | | | |
| TITLE CLGA717T1.27-DC275D DUMMY COLUMN GRID ARRAY | | | |
| SCALE 2:1 | SIZE A | DRAWING NO. 16010X | REV A |
| DO NOT SCALE DRAWING | | | SHEET 1 OF 4 |

SOLDER PIN OPTIONS

COLUMN (PAD) VIEW



BOTTOM X-RAY VIEWED FROM TOP



| | | | |
|--|-----------|-----------------------|--------------|
| TopLine[®] | | | |
| TITLE CLGA717T1.27-DC275D DUMMY COLUMN GRID ARRAY | | | |
| SCALE 2.5:1 | SIZE A | DRAWING NO. 16010X | REV A |
| DO NOT SCALE DRAWING | | | SHEET 2 OF 4 |

NET LIST DAISY CHAIN CONNECTION TABLE

| DC PAIR | |
|---------|-----|
| C1 | D1 |
| E1 | F1 |
| G1 | H1 |
| J1 | K1 |
| L1 | M1 |
| N1 | P1 |
| R1 | T1 |
| U1 | V1 |
| W1 | Y1 |
| AA1 | AB1 |
| AC1 | AD1 |
| AE1 | AG3 |
| B2 | B3 |
| D2 | E2 |
| F2 | G2 |
| H2 | J2 |
| K2 | L2 |
| M2 | N2 |
| P2 | R2 |
| T2 | U2 |
| V2 | W2 |
| Y2 | AA2 |
| AB2 | AC2 |
| AD2 | AE2 |
| A3 | A4 |
| C2 | C3 |
| E3 | F3 |
| G3 | H3 |
| J3 | K3 |
| L3 | M3 |

| DC PAIR | |
|---------|-----|
| N3 | P3 |
| R3 | T3 |
| U3 | V3 |
| W3 | Y3 |
| AA3 | AB3 |
| AC3 | AD3 |
| AF2 | AF3 |
| B3 | B4 |
| D3 | D4 |
| F4 | G4 |
| H4 | J4 |
| K4 | L4 |
| M4 | N4 |
| P4 | R4 |
| T4 | U4 |
| V4 | W4 |
| Y4 | AA4 |
| AB4 | AC4 |
| AE3 | AE4 |
| AG3 | AG4 |
| A4 | A5 |
| C4 | C5 |
| E4 | E5 |
| G5 | H5 |
| J5 | K5 |
| L5 | M5 |
| N5 | P5 |
| R5 | T5 |
| U5 | V5 |
| W5 | Y5 |

| DC PAIR | |
|---------|-----|
| AA5 | AB5 |
| AD4 | AD5 |
| AF4 | AF5 |
| B5 | B6 |
| D5 | D6 |
| F5 | F6 |
| H6 | J6 |
| K6 | L6 |
| M6 | N6 |
| P6 | R6 |
| T6 | U6 |
| V6 | W6 |
| Y6 | AA6 |
| AC5 | AC6 |
| AE5 | AE6 |
| AG5 | AG6 |
| A6 | A7 |
| C6 | C7 |
| E6 | E7 |
| G6 | G7 |
| J7 | K7 |
| L7 | M7 |
| N7 | P7 |
| R7 | T7 |
| U7 | V7 |
| W7 | Y7 |
| AB6 | AB7 |
| AD6 | AD7 |
| AF6 | AF7 |
| B7 | B8 |

| DC PAIR | |
|---------|-----|
| D7 | D8 |
| F7 | F8 |
| H7 | H8 |
| K8 | L8 |
| M8 | N8 |
| P8 | R8 |
| T8 | U8 |
| V8 | W8 |
| AA7 | AA8 |
| AC7 | AC8 |
| AE7 | AE8 |
| AG7 | AG8 |
| A8 | A9 |
| C8 | C9 |
| E8 | E9 |
| G8 | G9 |
| J8 | J9 |
| L9 | M9 |
| N9 | P9 |
| R9 | T9 |
| U9 | V9 |
| Y8 | Y9 |
| AB8 | AB9 |
| AD8 | AD9 |
| AF8 | AF9 |
| B9 | B10 |
| D9 | D10 |
| F9 | F10 |
| H9 | H10 |
| K9 | K10 |

| DC PAIR | |
|---------|------|
| M10 | N10 |
| P10 | R10 |
| T10 | U10 |
| W9 | W10 |
| AA9 | AA10 |
| AC9 | AC10 |
| AE9 | AE10 |
| AG9 | AG10 |
| A10 | A11 |
| C10 | C11 |
| E10 | E11 |
| G10 | G11 |
| J10 | J11 |
| L10 | L11 |
| N11 | P11 |
| R11 | T11 |
| V10 | V11 |
| Y10 | Y11 |
| AB10 | AB11 |
| AD10 | AD11 |
| AF10 | AF11 |
| B11 | B12 |
| D11 | D12 |
| F11 | F12 |
| H11 | H12 |
| K11 | K12 |
| M11 | M12 |
| P12 | R12 |
| U11 | U12 |
| W11 | W12 |

| DC PAIR | |
|---------|------|
| AA11 | AA12 |
| AC11 | AC12 |
| AE11 | AE12 |
| AG11 | AG12 |
| A12 | A13 |
| C12 | C13 |
| E12 | E13 |
| G12 | G13 |
| J12 | J13 |
| L12 | L13 |
| N12 | N13 |
| T12 | T13 |
| V12 | V13 |
| Y12 | Y13 |
| AB12 | AB13 |
| AD12 | AD13 |
| AF12 | AF13 |
| B13 | B14 |
| D13 | D14 |
| F13 | F14 |
| H13 | H14 |
| K13 | K14 |
| M13 | M14 |
| P13 | P14 |
| R13 | R14 |
| U13 | U14 |
| W13 | W14 |
| AA13 | AA14 |
| AC13 | AC14 |
| AE13 | AE14 |

| DC PAIR | |
|---------|------|
| AG13 | AG14 |
| A14 | A15 |
| C14 | C15 |
| E14 | E15 |
| G14 | G15 |
| J14 | J15 |
| L14 | L15 |
| N14 | N15 |
| P15 | R15 |
| T14 | T15 |
| V14 | V15 |
| Y14 | Y15 |
| AB14 | AB15 |
| AD14 | AD15 |
| AF14 | AF15 |
| B15 | B16 |
| D15 | D16 |
| F15 | F16 |
| H15 | H16 |
| K15 | K16 |
| M15 | M16 |
| N16 | P16 |
| R16 | T16 |
| U15 | U16 |
| W15 | W16 |
| AA15 | AA16 |
| AC15 | AC16 |
| AE15 | AE16 |
| AG15 | AG16 |
| A16 | A17 |

| DC PAIR | |
|---------|------|
| C16 | C17 |
| E16 | E17 |
| G16 | G17 |
| J16 | J17 |
| L16 | L17 |
| M17 | N17 |
| P17 | R17 |
| T17 | U17 |
| V16 | V17 |
| Y16 | Y17 |
| AB16 | AB17 |
| AD16 | AD17 |
| AF16 | AF17 |
| B17 | B18 |
| D17 | D18 |
| F17 | F18 |
| H17 | H18 |
| K17 | K18 |
| L18 | M18 |
| N18 | P18 |
| R18 | T18 |
| U18 | V18 |
| W17 | W18 |
| AA17 | AA18 |
| AC17 | AC18 |
| AE17 | AE18 |
| AG17 | AG18 |
| A18 | A19 |
| C18 | C19 |
| E18 | E19 |

CONTINUED NEXT PAGE

| | | | |
|--|-----------|-----------------------|--------------|
| TopLine® | | | |
| TITLE CLGA717T1.27-DC275D DUMMY COLUMN GRID ARRAY | | | |
| SCALE NONE | SIZE A | DRAWING NO. 16010X | REV A |
| DO NOT SCALE DRAWING | | | SHEET 3 OF 4 |

NET LIST DAISY CHAIN CONNECTION TABLE

| DC PAIR | |
|---------|------|
| G18 | G19 |
| J18 | J19 |
| K19 | L19 |
| M19 | N19 |
| P19 | R19 |
| T19 | U19 |
| V19 | W19 |
| Y18 | Y19 |
| AB18 | AB19 |
| AD18 | AD19 |
| AF18 | AF19 |
| B19 | B20 |
| D19 | D20 |
| F19 | F20 |
| H19 | H20 |
| J20 | K20 |
| L20 | M20 |
| N20 | P20 |
| R20 | T20 |
| U20 | V20 |
| W20 | Y20 |
| AA19 | AA20 |
| AC19 | AC20 |
| AE19 | AE20 |
| AG19 | AG20 |
| A20 | A21 |
| C20 | C21 |
| E20 | E21 |
| G20 | G21 |
| H21 | J21 |

| DC PAIR | |
|---------|------|
| K21 | L21 |
| M21 | N21 |
| P21 | R21 |
| T21 | U21 |
| V21 | W21 |
| Y21 | AA21 |
| AB20 | AB21 |
| AD20 | AD21 |
| AF20 | AF21 |
| B21 | B22 |
| D21 | D22 |
| F21 | F22 |
| G22 | H22 |
| J22 | K22 |
| L22 | M22 |
| N22 | P22 |
| R22 | T22 |
| U22 | V22 |
| W22 | Y22 |
| AA22 | AB22 |
| AC21 | AC22 |
| AE21 | AE22 |
| AG21 | AG22 |
| A22 | A23 |
| C22 | C23 |
| E22 | E23 |
| F23 | G23 |
| H23 | J23 |
| K23 | L23 |
| M23 | N23 |

| DC PAIR | |
|---------|------|
| P23 | R23 |
| T23 | U23 |
| V23 | W23 |
| Y23 | AA23 |
| AB23 | AC23 |
| AD22 | AD23 |
| AF22 | AF23 |
| B23 | B24 |
| D23 | D24 |
| E24 | F24 |
| G24 | H24 |
| J24 | K24 |
| L24 | M24 |
| N24 | P24 |
| R24 | T24 |
| U24 | V24 |
| W24 | Y24 |
| AA24 | AB24 |
| AC24 | AD24 |
| AE23 | AE24 |
| AG23 | AG24 |
| A24 | A25 |
| C24 | C25 |
| D25 | E25 |
| F25 | G25 |
| H25 | J25 |
| K25 | L25 |
| M25 | N25 |
| P25 | R25 |
| T25 | U25 |

| DC PAIR | |
|---------|------|
| V25 | W25 |
| Y25 | AA25 |
| AB25 | AC25 |
| AD25 | AE25 |
| AF24 | AF25 |
| B25 | B26 |
| C26 | D26 |
| E26 | F26 |
| G26 | H26 |
| J26 | K26 |
| L26 | M26 |
| N26 | P26 |
| R26 | T26 |
| U26 | V26 |
| W26 | Y26 |
| AA26 | AB26 |
| AC26 | AD26 |
| AE26 | AF26 |
| AG25 | AE27 |
| C27 | A25 |
| D27 | E27 |
| F27 | G27 |
| H27 | J27 |
| K27 | L27 |
| M27 | N27 |
| P27 | R27 |
| T27 | U27 |
| V27 | W27 |
| Y27 | AA27 |
| AB27 | AC27 |

| DC PAIR | |
|---------|------|
| AD27 | AE27 |

| DC 3-PADS | | |
|-----------|---------|---------|
| LGA NO. | LGA NO. | LGA NO. |
| AE1 | AG3 | AG4 |
| B2 | B3 | B4 |
| A3 | A4 | A5 |
| A24 | A25 | C27 |
| AD27 | AE27 | AG25 |

TopLine®

TITLE CLGA717T1.27-DC275D
DUMMY COLUMN GRID ARRAY

| | | | |
|---------------|-----------|------------------------|----------|
| SCALE NONE | SIZE A | DRAWING NO. 16010\X | REV A |
|---------------|-----------|------------------------|----------|

DO NOT SCALE DRAWING

SHEET 4 OF 4