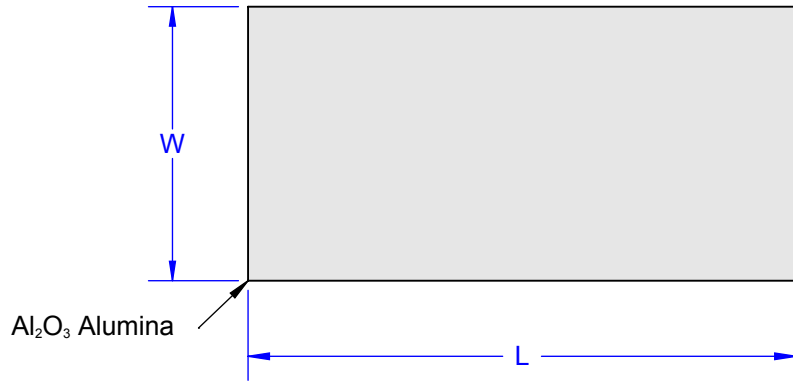
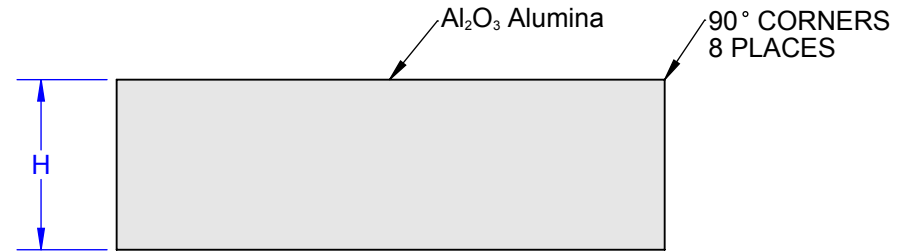


# WHITE AND BLACK CHIPS WITHOUT METALLIZATION

## TOP VIEW



## SIDE VIEW



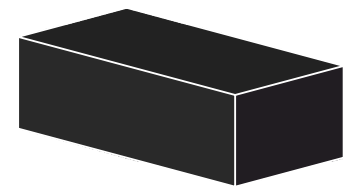
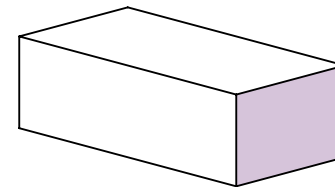
### NOTES:

1. DIMENSION IN mm EXCEPT AS NOTED.
2. METALLIZATION: NONE.
3. Pb-FREE AND HALOGEN FREE.
4. COLORS: WHITE and BLACK.

### PART NUMBER TABLE

SIZE CODE	COLOR	PART SERIES	SIZE (MM)				TOLERANCE	OUTLINE DRAWING
			L LENGTH	W WIDTH	H HEIGHT			
0201	WHITE	SCC0201P7A-WHITE	0.60	0.30	0.30	±0.025	020110	
0201	BLACK	SCC0201P7A-BLACK	0.60	0.30	0.30	±0.025	020111	

## MODELS

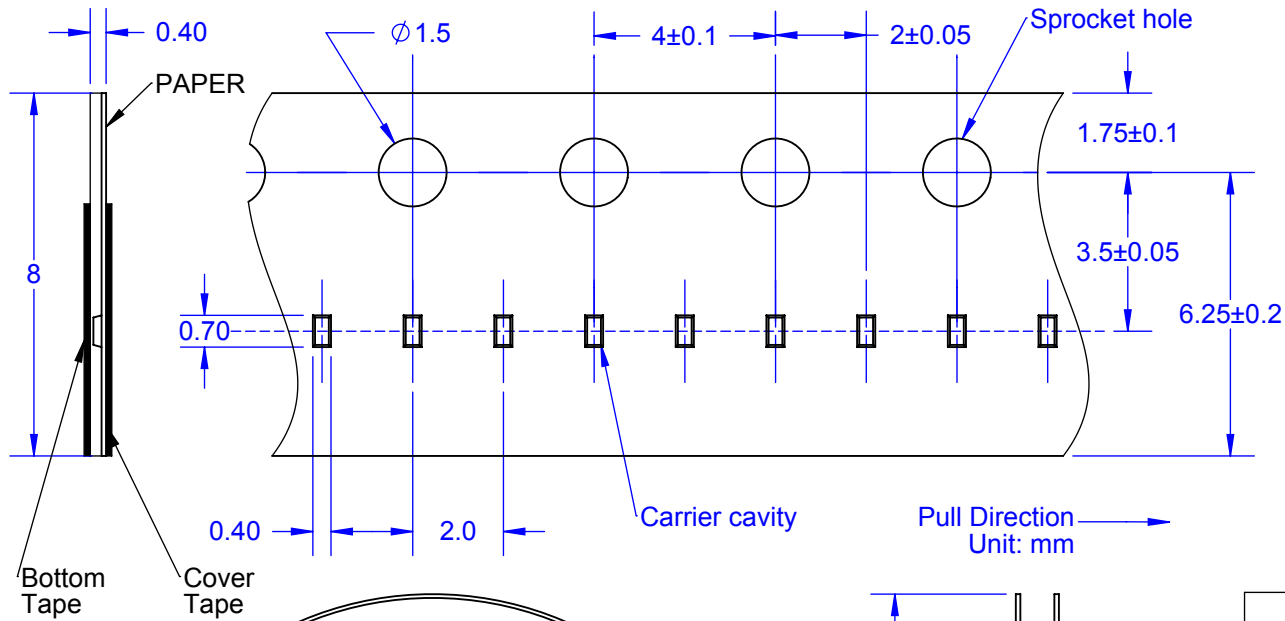


## WHITE

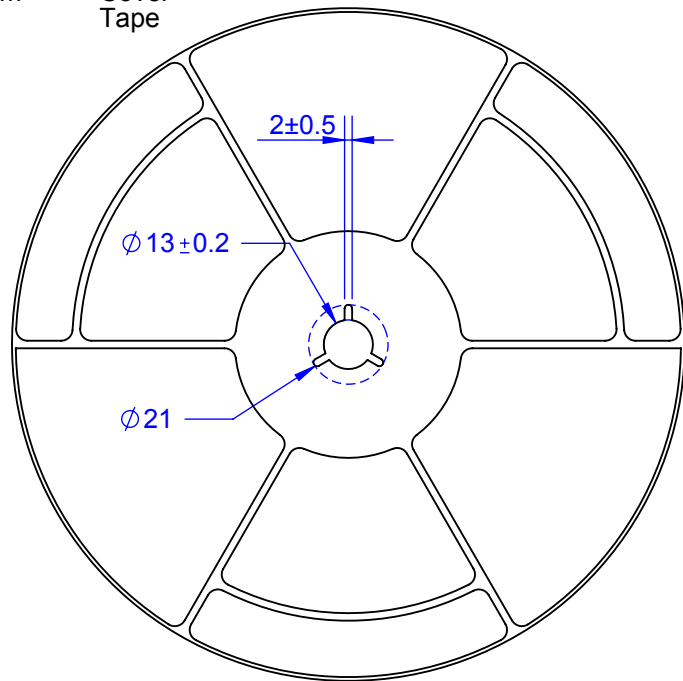
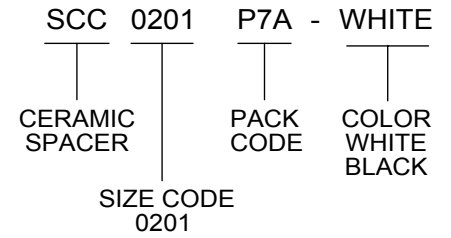
## BLACK

APPROVALS	DATE	<b>TopLine®</b>			
DRAWN T. Au	07/28/14				
ENG M. Hart	07/28/14	TITLE SCC0201 UNTERMINATED CHIPS			
MFG		SCALE 125:1	SIZE A	DRAWING NO. 020110	REV A
QA		DO NOT SCALE DRAWING			SHEET 1 OF 2
CUST					
REVISED					

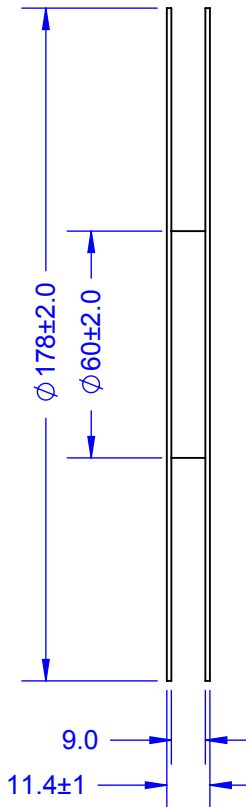
# W8P2 CARRIER TAPE DIMENSION




## PART NUMBER SYSTEM



## REEL DIMENSIONS



PACK CODE			
CODE	0201	PACKAGE	TAPE
P7A	15,000	REEL	PAPER
P4A	1,000	REEL	PAPER

APPROVALS	DATE				
DRAWN T. Au	07/28/14				
ENG M. Hart	07/28/14	SCALE		SIZE	DRAWING NO.
MFG		NONE		A	020110
QA		CUST		REV	A
REVISD		DO NOT SCALE DRAWING			SHEET 2 OF 2