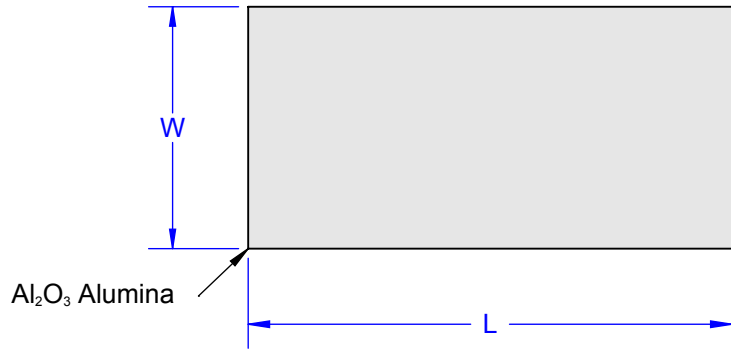
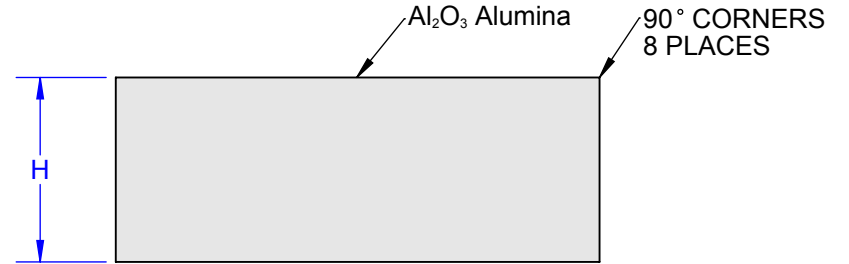


WHITE AND BLACK CHIPS WITHOUT METALLIZATION

TOP VIEW



SIDE VIEW



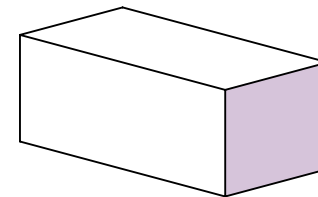
NOTES:

1. DIMENSION IN mm EXCEPT AS NOTED.
2. METALLIZATION: NONE.
3. Pb-FREE AND HALOGEN FREE.
4. COLORS: WHITE and BLACK.

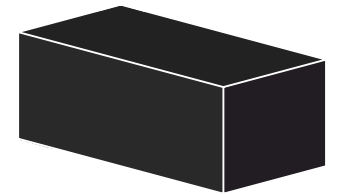
PART NUMBER TABLE

SIZE CODE	COLOR	PART SERIES	SIZE (MM)				TOLERANCE	OUTLINE DRAWING
			L LENGTH	W WIDTH	H HEIGHT			
1206	WHITE	SCC1206P7A-WHITE	3.0	1.52	0.82	±0.076	120610	
1206	BLACK	SCC1206P7A-BLACK	3.0	1.52	0.82	±0.076	120611	

MODELS



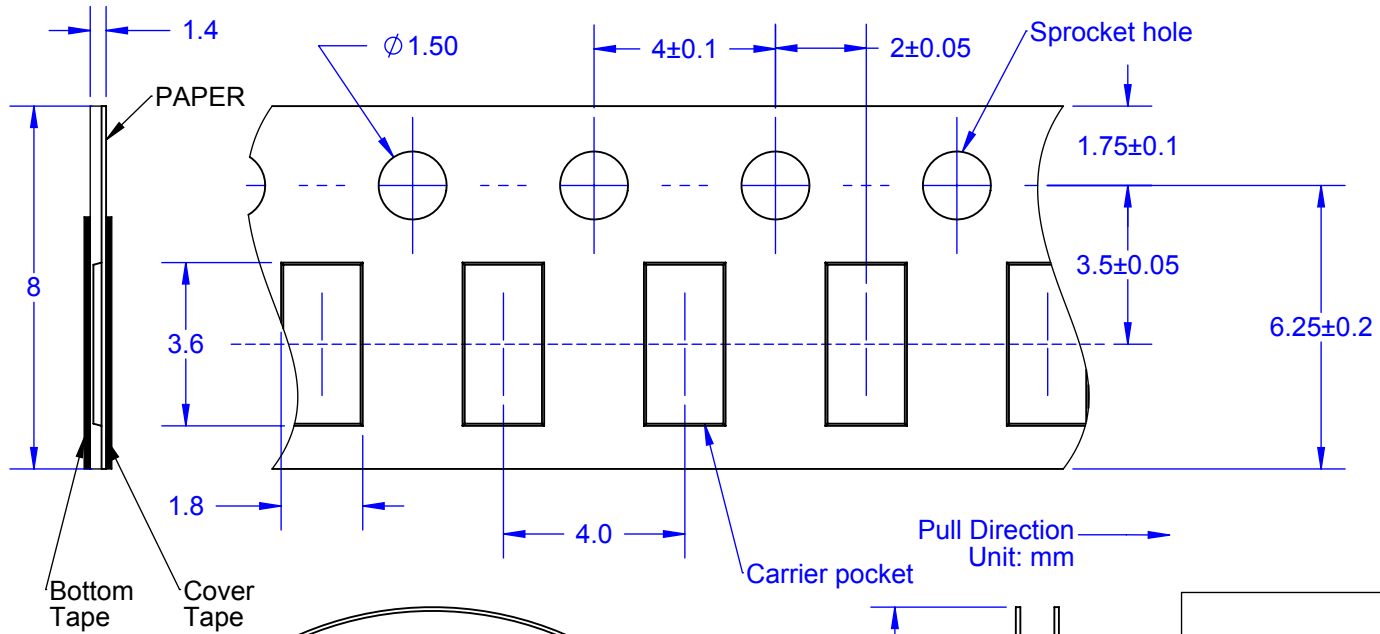
WHITE



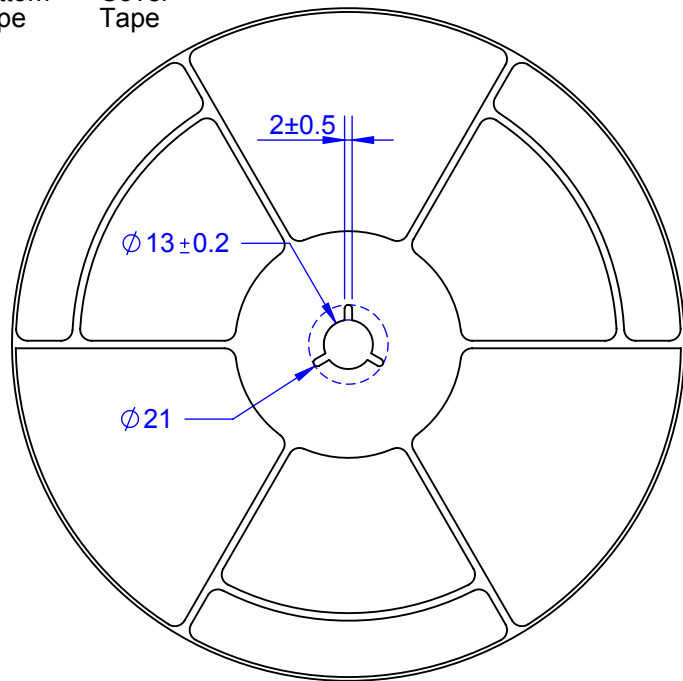
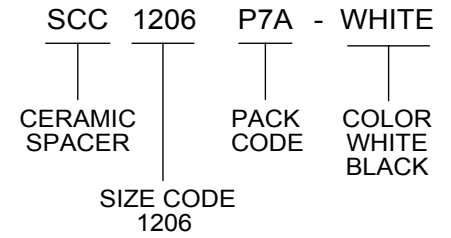
BLACK

APPROVALS	DATE	TopLine®			
DRAWN T.Au	07/1/18				
ENG M. Hart	07/1/18	TITLE SCC1206 UNTERMINATED CHIPS			
MFG		SCALE 20:1	SIZE A	DRAWING NO. 120610	REV B
QA		DO NOT SCALE DRAWING			SHEET 1 OF 2
CUST					
REVISED					

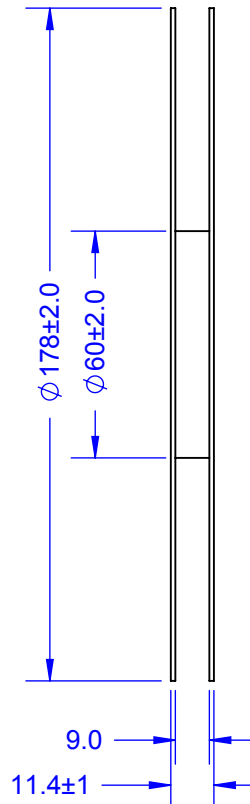
W8P4 CARRIER TAPE DIMENSION




PART NUMBER SYSTEM



REEL DIMENSIONS



PACK CODE			
CODE	QTY	PACKAGE	TAPE
P7A	4,000	REEL	PAPER
P4A	1,000	REEL	PAPER

APPROVALS	DATE			
DRAWN T. Au	0/71/18			
ENG M. Hart	07/1/18	TITLE		
MFG		SCC1206 UNTERMINATED CHIPS		
QA		SCALE	SIZE	DRAWING NO.
CUST		NONE	A	120610
REVISED				REV B
DO NOT SCALE DRAWING				SHEET 2 OF 2