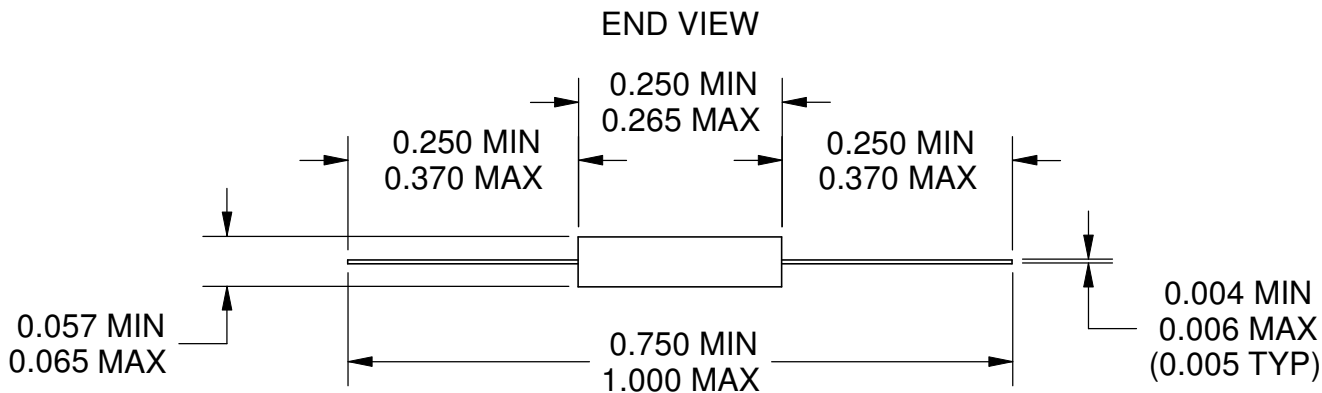
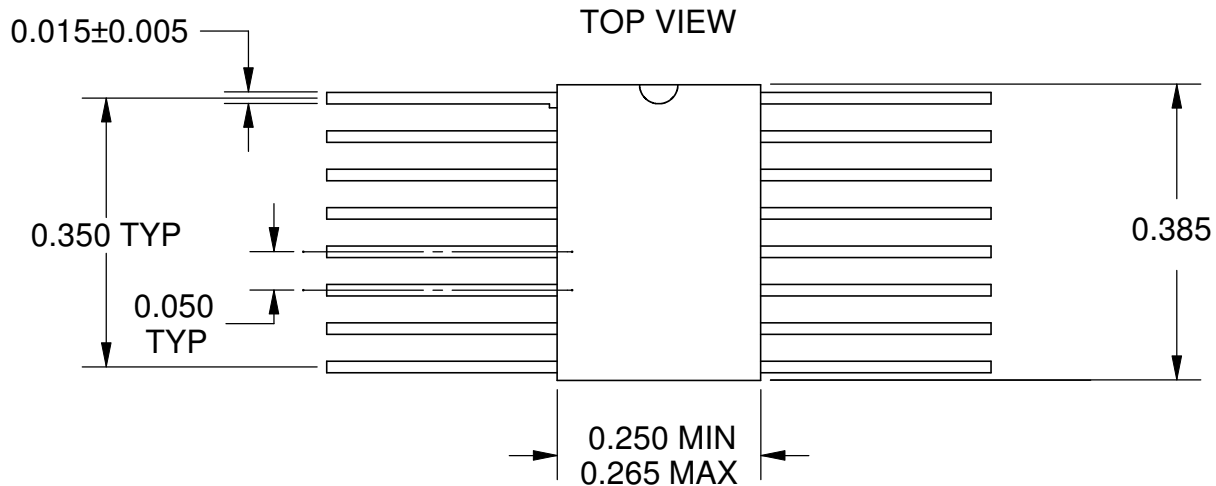
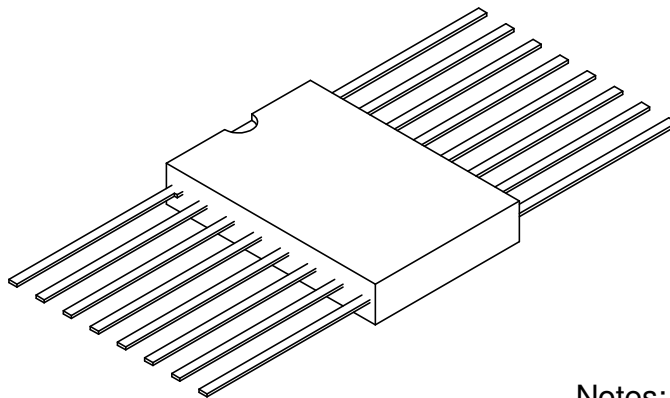


| REVISIONS | | | | |
|-----------|------|-----|-------------|----------|
| DATE | REV. | ECO | DESCRIPTION | APPROVED |



ISOMETRIC VIEW



- Notes: (Unless Otherwise Specified).
 1) DIMENSIONS IN INCH.
 2) PLATING Sn Pb.
 3) PACKAGED IN CARRIER.

TOPLINE DUMMY FP 16 LEAD FLAT PACK FOR SOLDER PRACTICE.
 PART NUMBER FP16C50R.25X.38S-S.
 USE AND APPLICATIONS:
 IPC SOLDER TRAINING CERTIFICATION. PROTOTYPE PWB.
 PRACTICE LEAD-FORM AND TRIM. EQUIPMENT EVALUATION.

TOPLINE
 EMAIL: info@topline.tv
 WWW.TOPLINE.TV

| | |
|--|--------------------------------------|
| TOLERANCE UNLESS NOTED | |
| X.XX | +/- 0.01 |
| X.XXX | +/- 0.005 |
| X.XXXX | +/- 0.0005 |
| ANGLES +/- 0.5° | |
| ALL DIMENSIONS IN | |
| <input checked="" type="checkbox"/> INCHES | <input type="checkbox"/> MILLIMETERS |
| THIRD ANGLE PROJECTION | |
| | |

| | |
|----------------|-----------|
| APPROVALS | DATE |
| DRAWN J. HINES | 8/20/2010 |
| ENG | |
| MFG | |
| QA | |
| CUST | |
| REVISED | |

| | | | |
|---|-----------|-----------------------|----------|
| TopLine ® | | | |
| TITLE 16 L FLAT PACK FP16C50R.25x.38S-S | | | |
| SCALE 4:1 | SIZE A | DRAWING NO. 121600 | REV A |
| DO NOT SCALE DRAWING | | SHEET 1 OF 1 | |