

Part # **HSOP20**

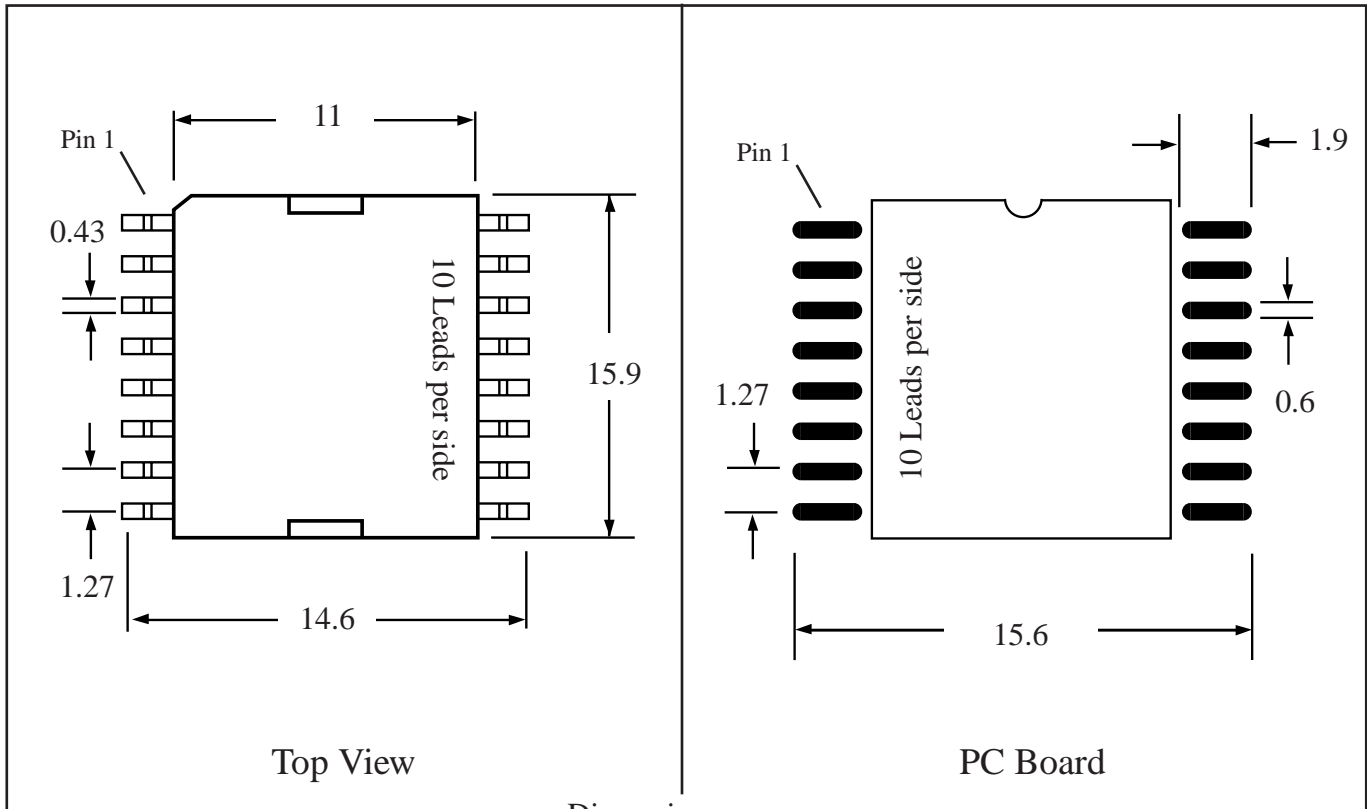
Leads **20** Pitch **1.27mm(0.05")**

Body Size **11x15.9mm**

**TopLine**<sup>TM</sup>

Tel 1-714-898-3830

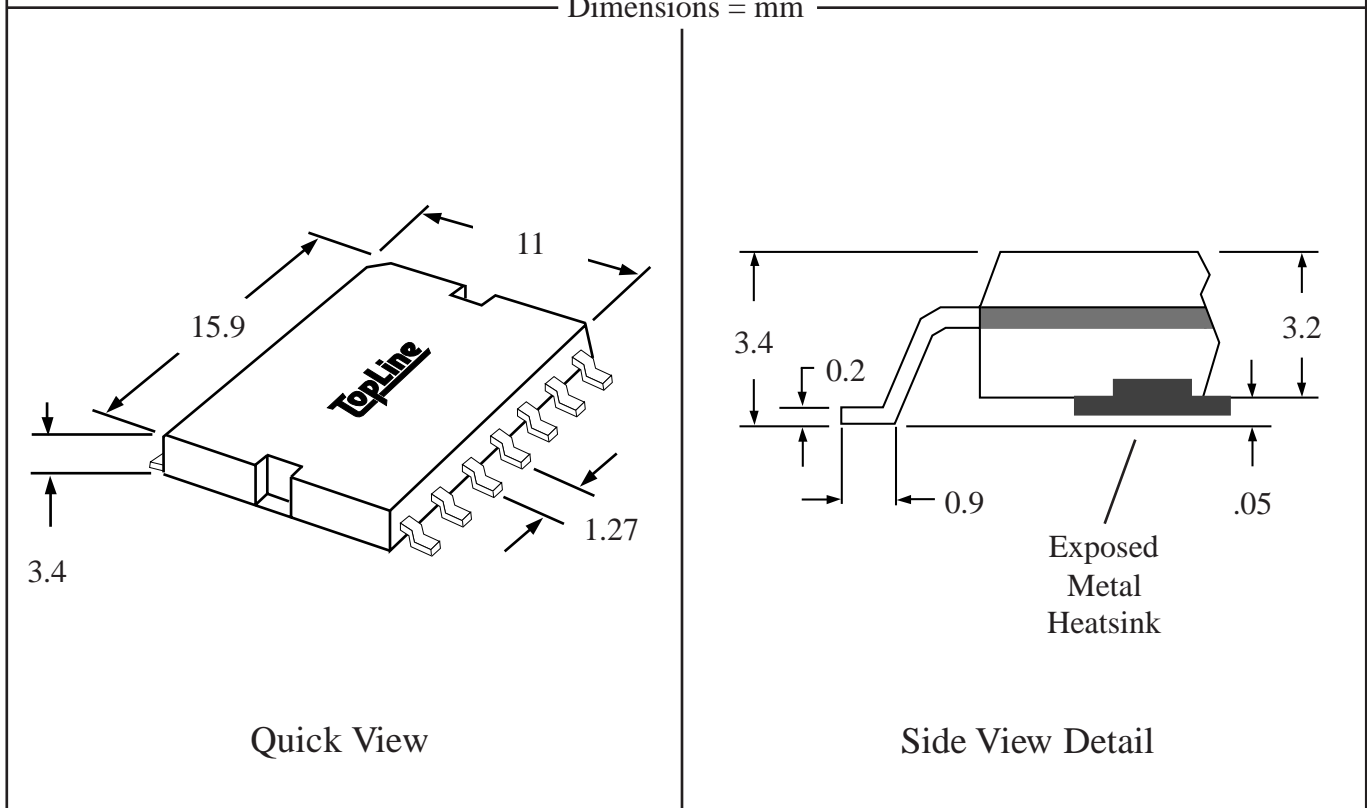
info@topline.tv



Top View

PC Board

Dimensions = mm

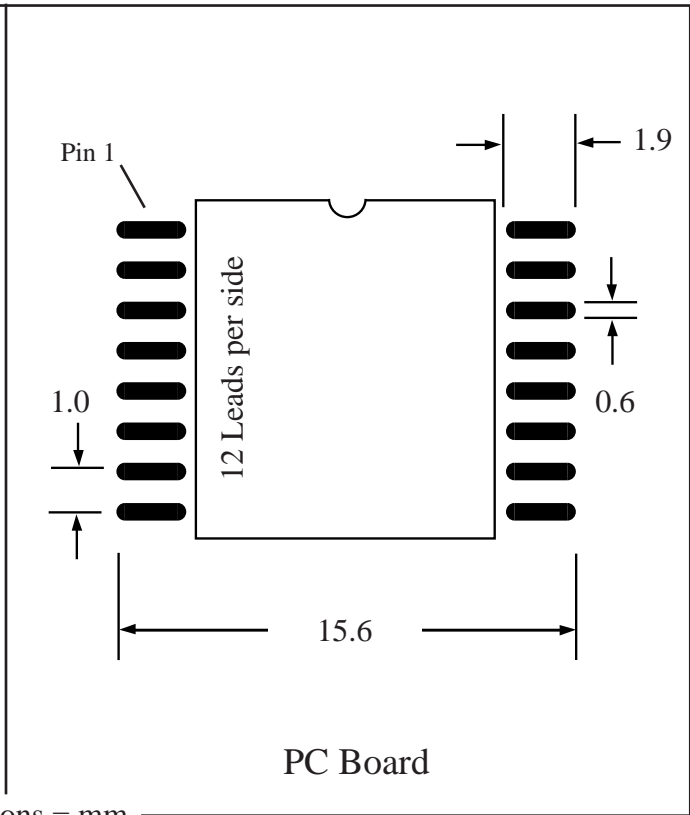
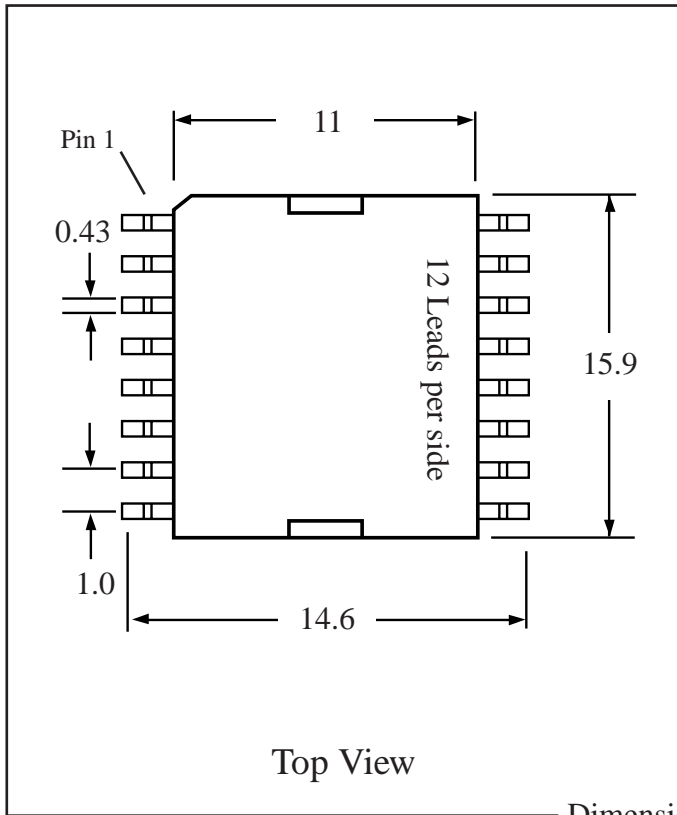


Quick View

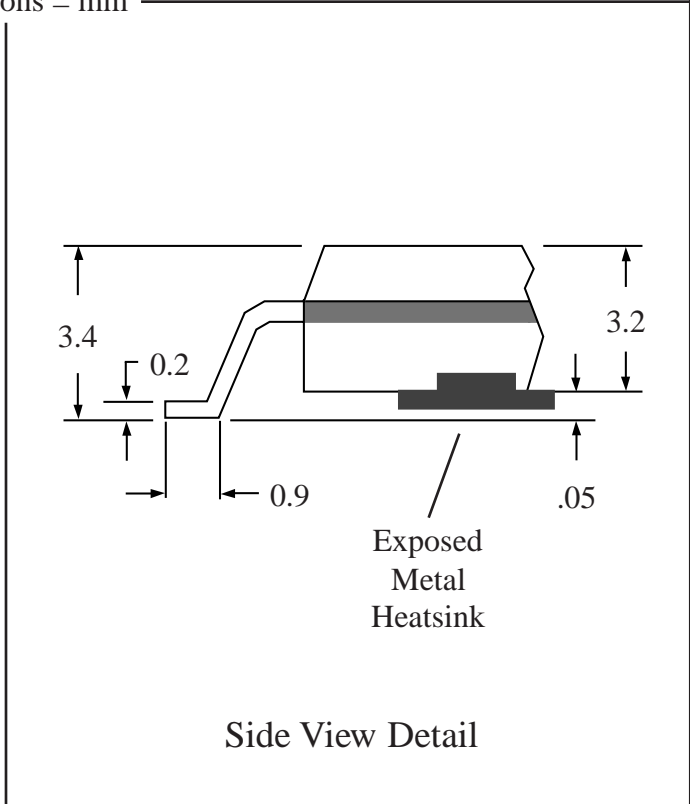
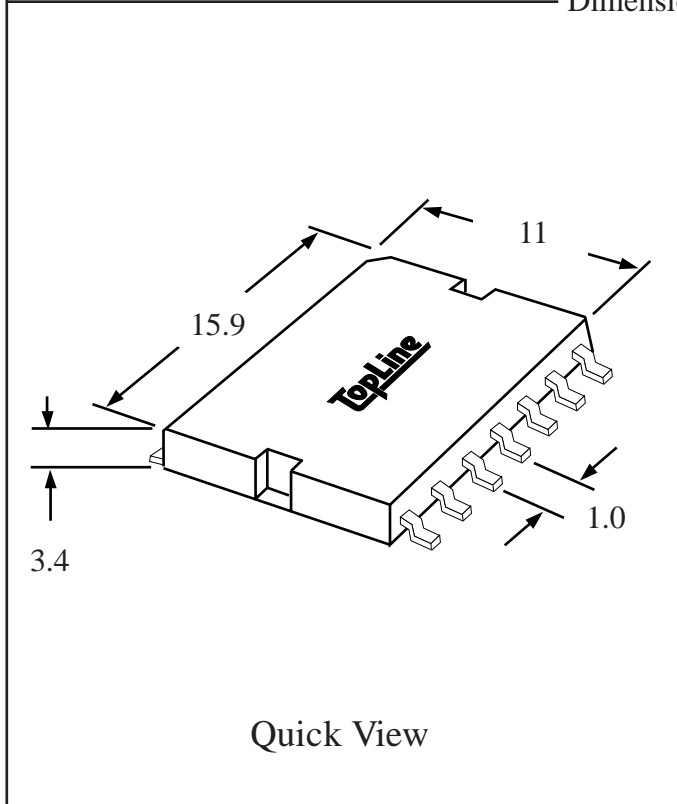
Side View Detail

Part # **HSOP24**  
 Leads **24** Pitch **1.0mm**  
 Body Size **11x15.9mm**

**TopLine**<sup>TM</sup>  
 Tel1-714-898-3830  
 info@topline.tv

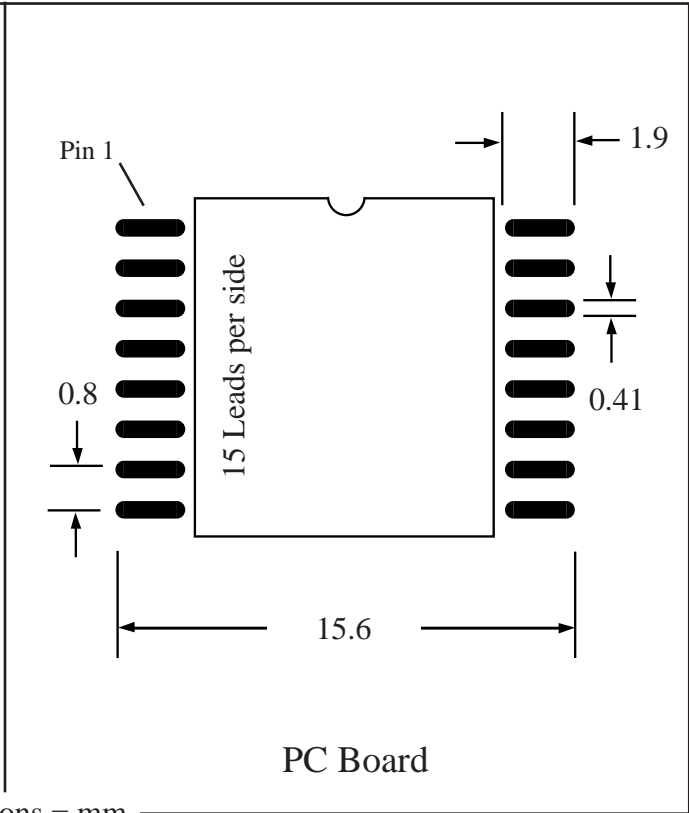
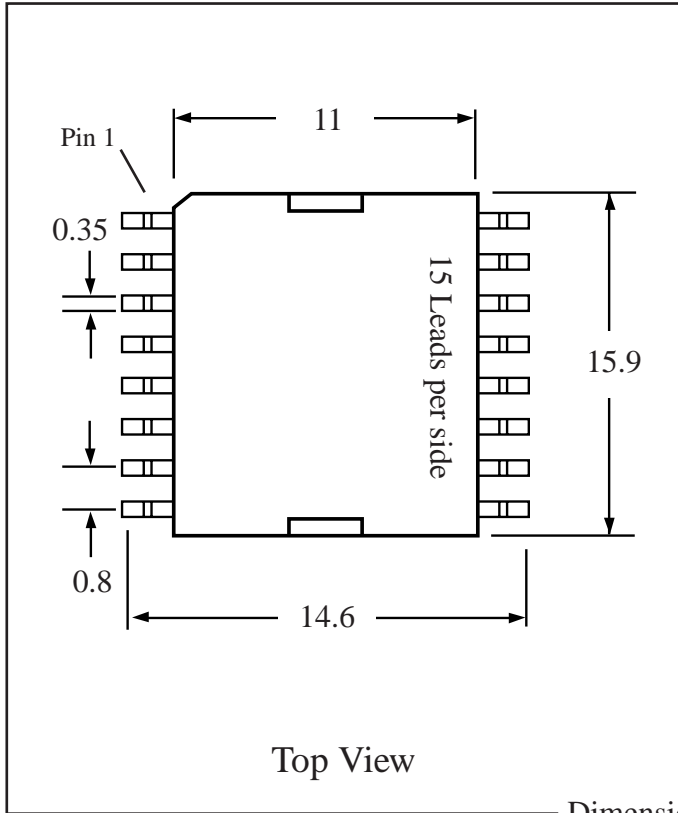


Dimensions = mm

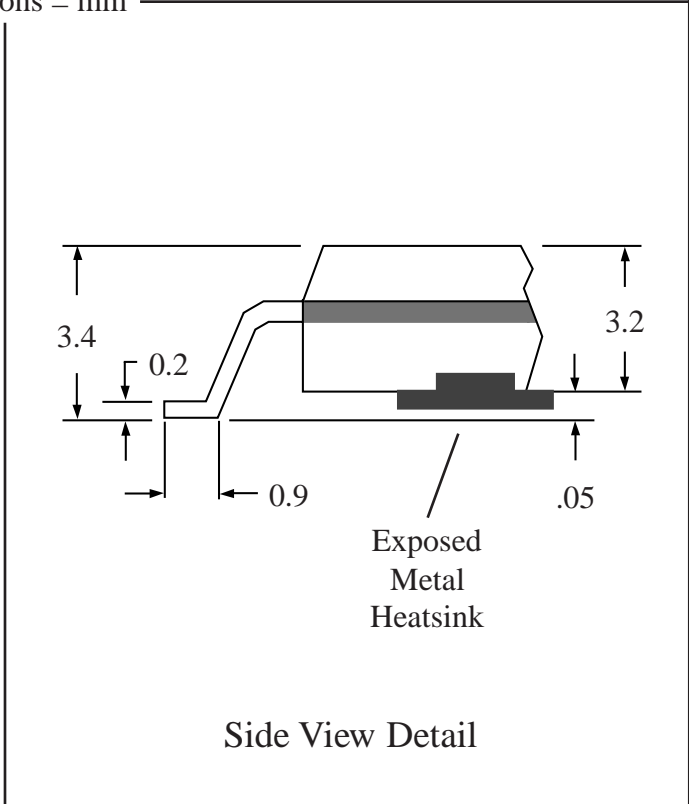
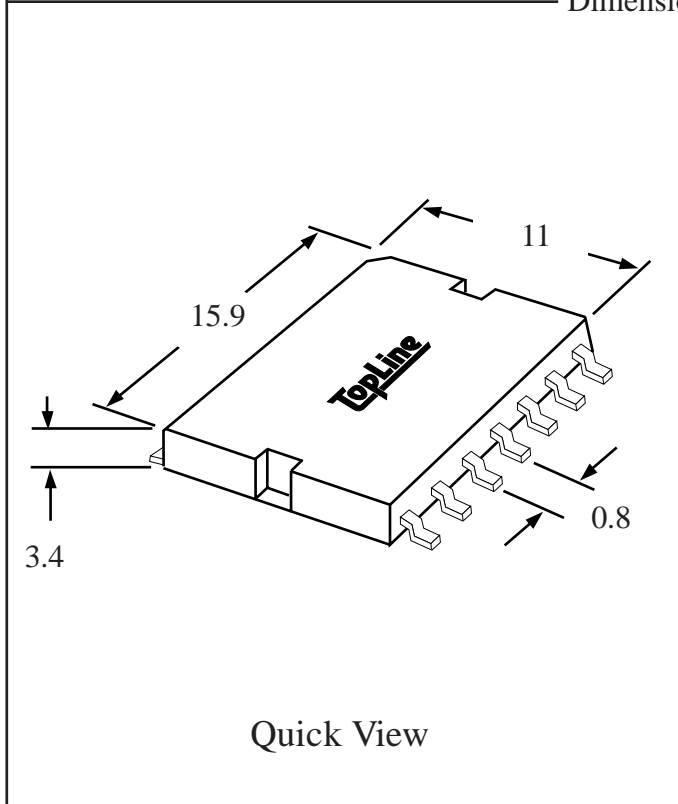


Part # **HSOP30**  
 Leads **30** Pitch **0.8mm**  
 Body Size **11x15.9mm**

**TopLine**<sup>TM</sup>  
 Tel1-714-898-3830  
 info@topline.tv

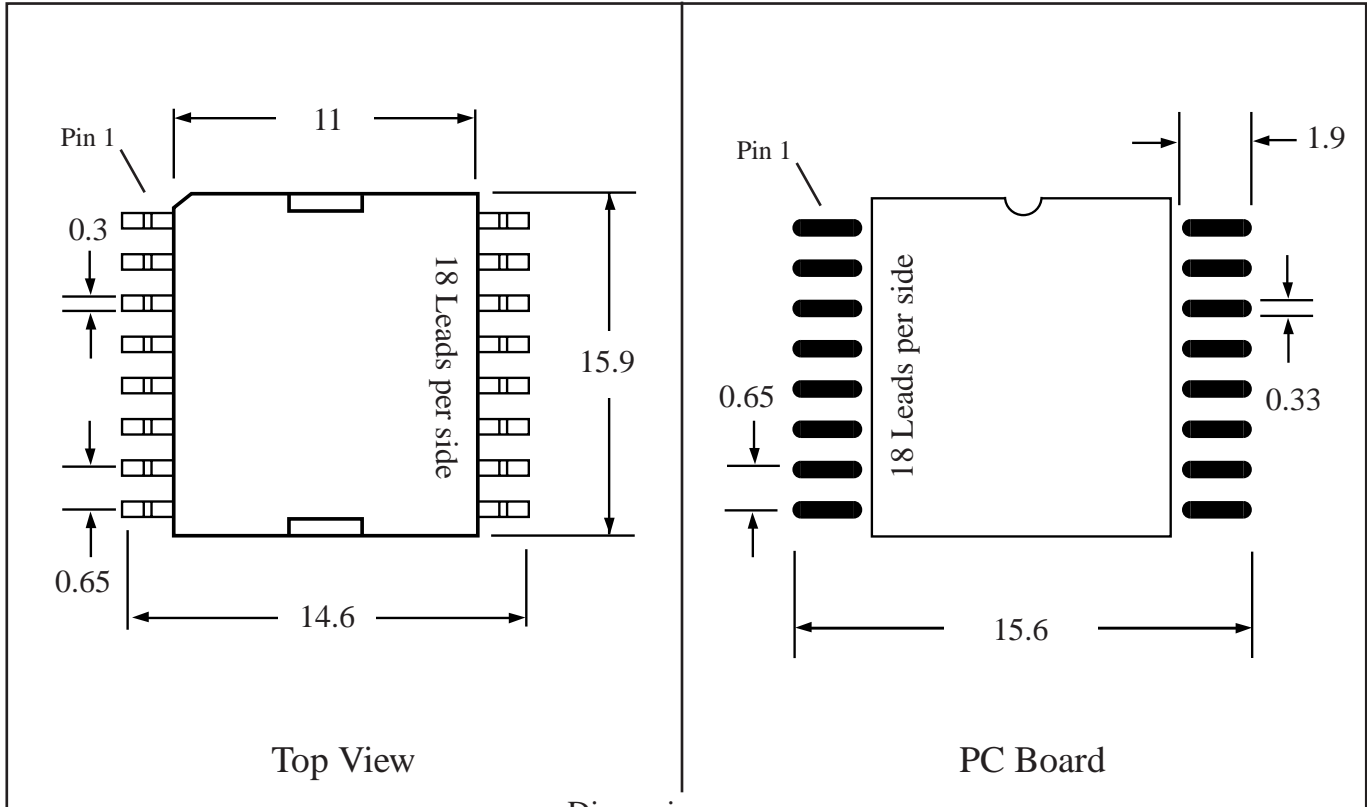


Dimensions = mm



Part # **HSOP36**  
 Leads **36** Pitch **0.65mm**  
 Body Size **11x15.9mm**

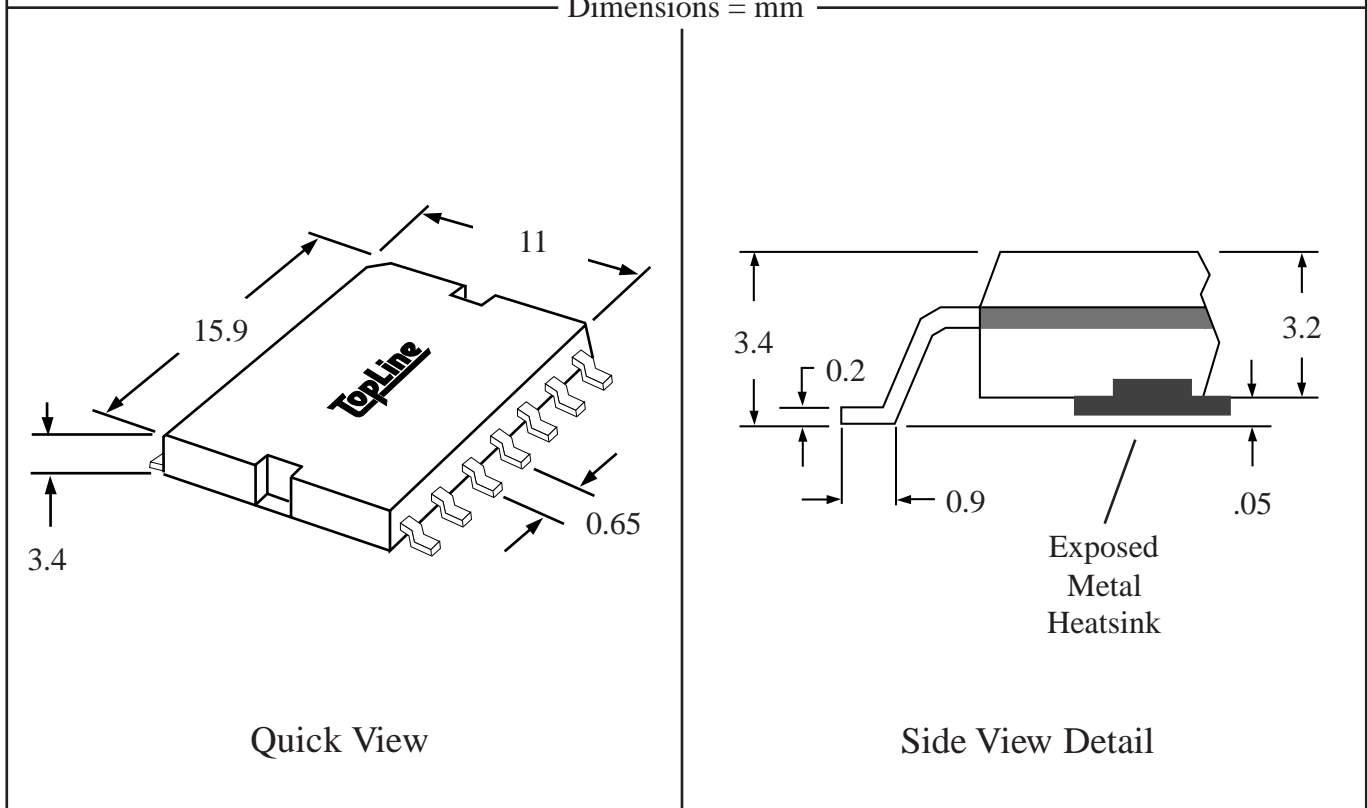
**TopLine**<sup>TM</sup>  
 Tel1-714-898-3830  
 info@topline.tv



Top View

PC Board

Dimensions = mm

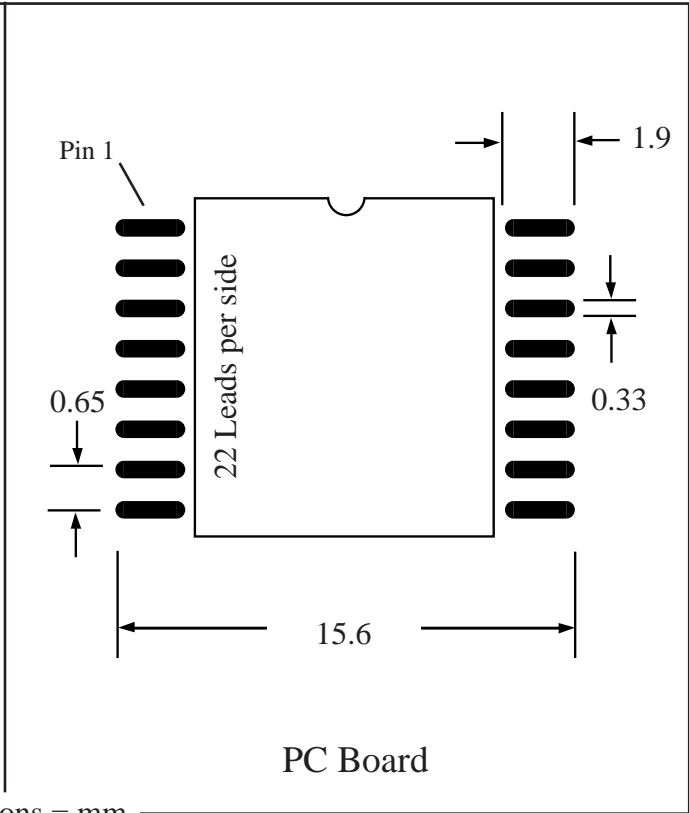
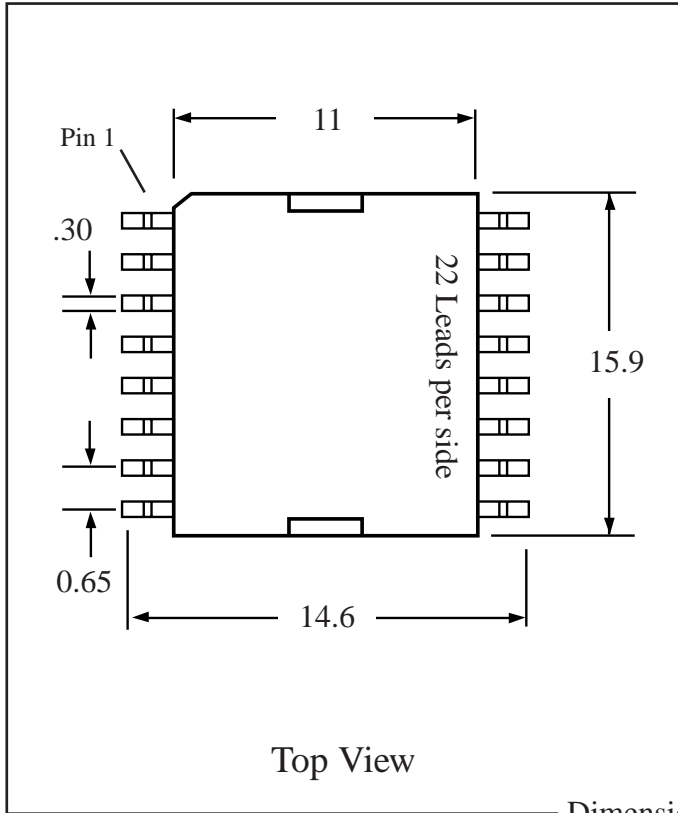


Quick View

Side View Detail

Part # **HSOP44**  
 Leads **44** Pitch **0.65mm**  
 Body Size **11x15.9mm**

**TopLine**<sup>TM</sup>  
 Tel1-714-898-3830  
 info@topline.tv



Dimensions = mm

