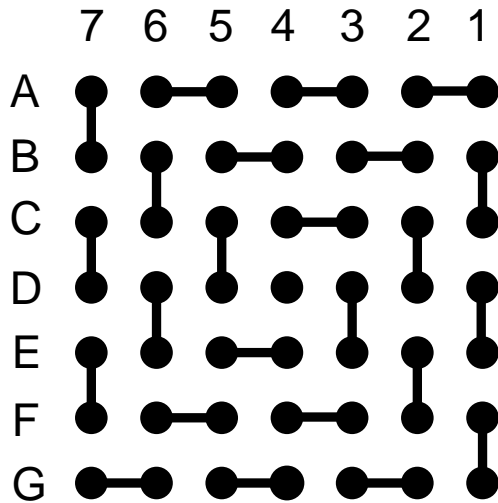


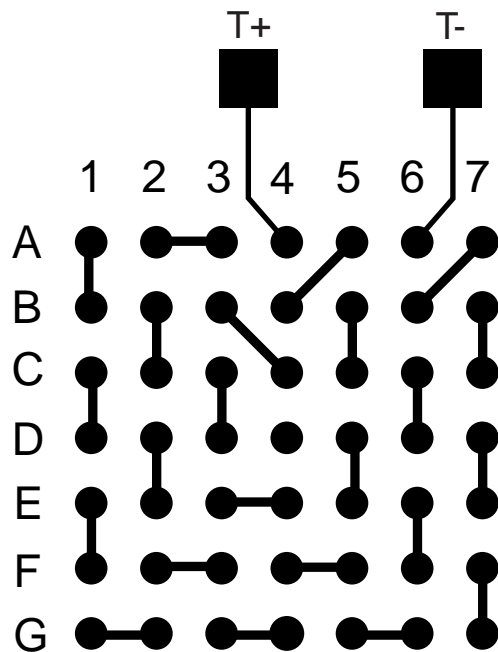
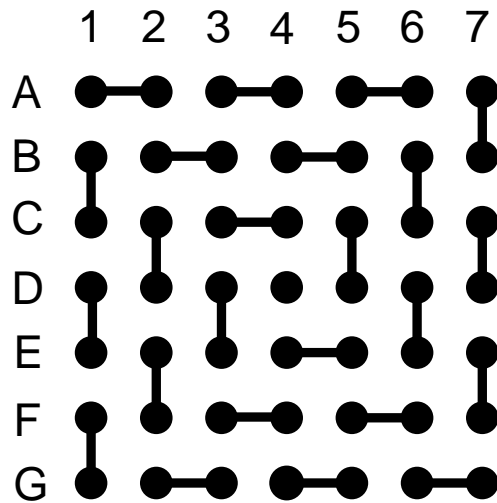
BALLS	PITCH	SIZE
49	0.8mm	6mm SQ

MATRIX	ROWS	CENTER	MAT'L
7 x 7	full	full	BT

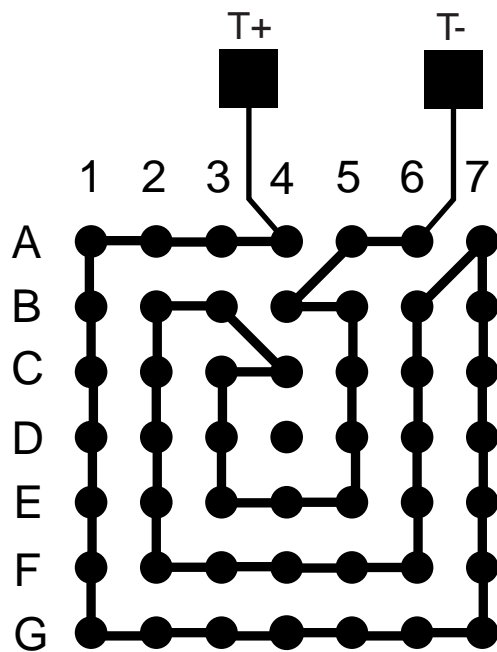
BALL VIEW



BOTTOM SIDE (TOP X-RAY VIEW)



TEST VEHICLE BOARD



AFTER MOUNTING TO TEST BOARD

BGA49T.8C-DC077 6mm Lead Free

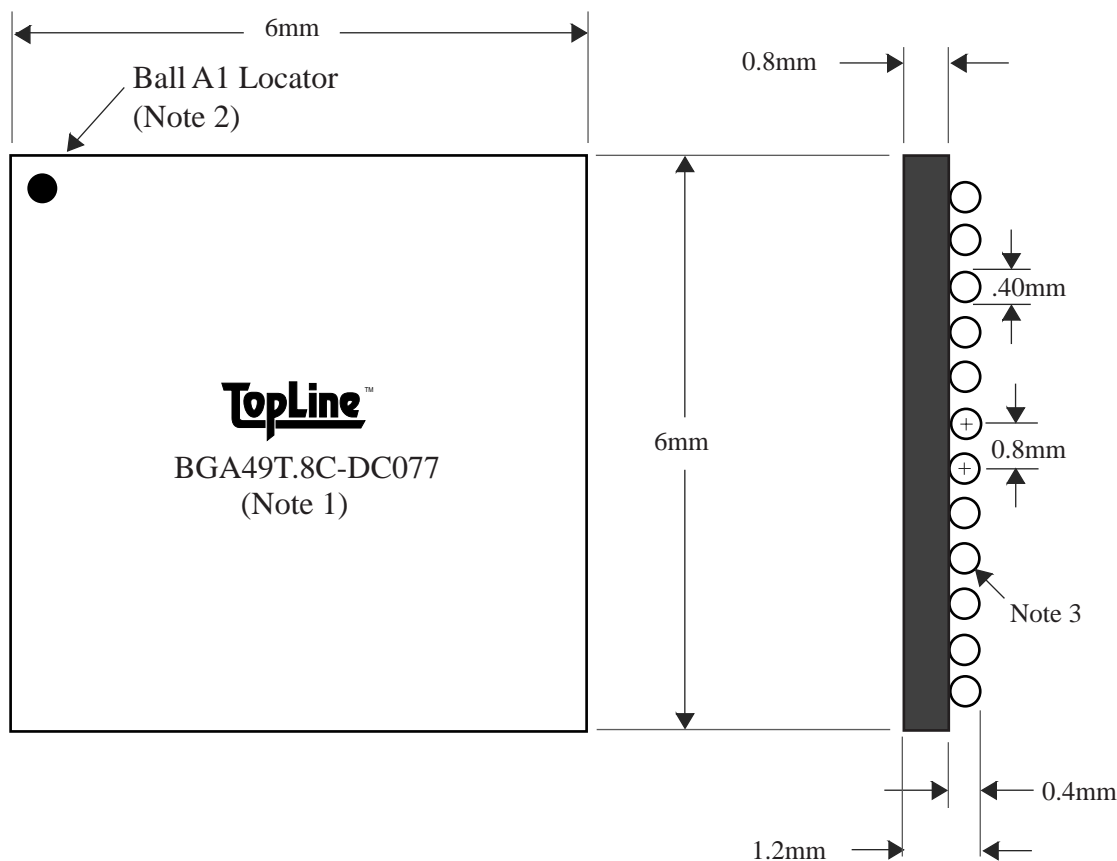


TEL 1-714-898-3830
info@topline.tv

BALLS	PITCH	SIZE	MATRIX	ROWS	CENTER	MAT'L
49	0.8mm	6mm SQ	7 x 7	full	full	BT

TOP VIEW

SIDE VIEW



NOTES		REVISIONS		
Note 1	Logo and part number centered White ink or laser marked	Rev	Date	Changes
Note 2	Ball A1 locator mark positioned in corner			
Note 3	Ball Material: Sn95.5 Ag4.0 Cu0.5	PACKAGING TRAYS		
Note 4	Substrate Material: BT laminate	Tray BGATRAY7mm-13x33 Tray Quantity 429		