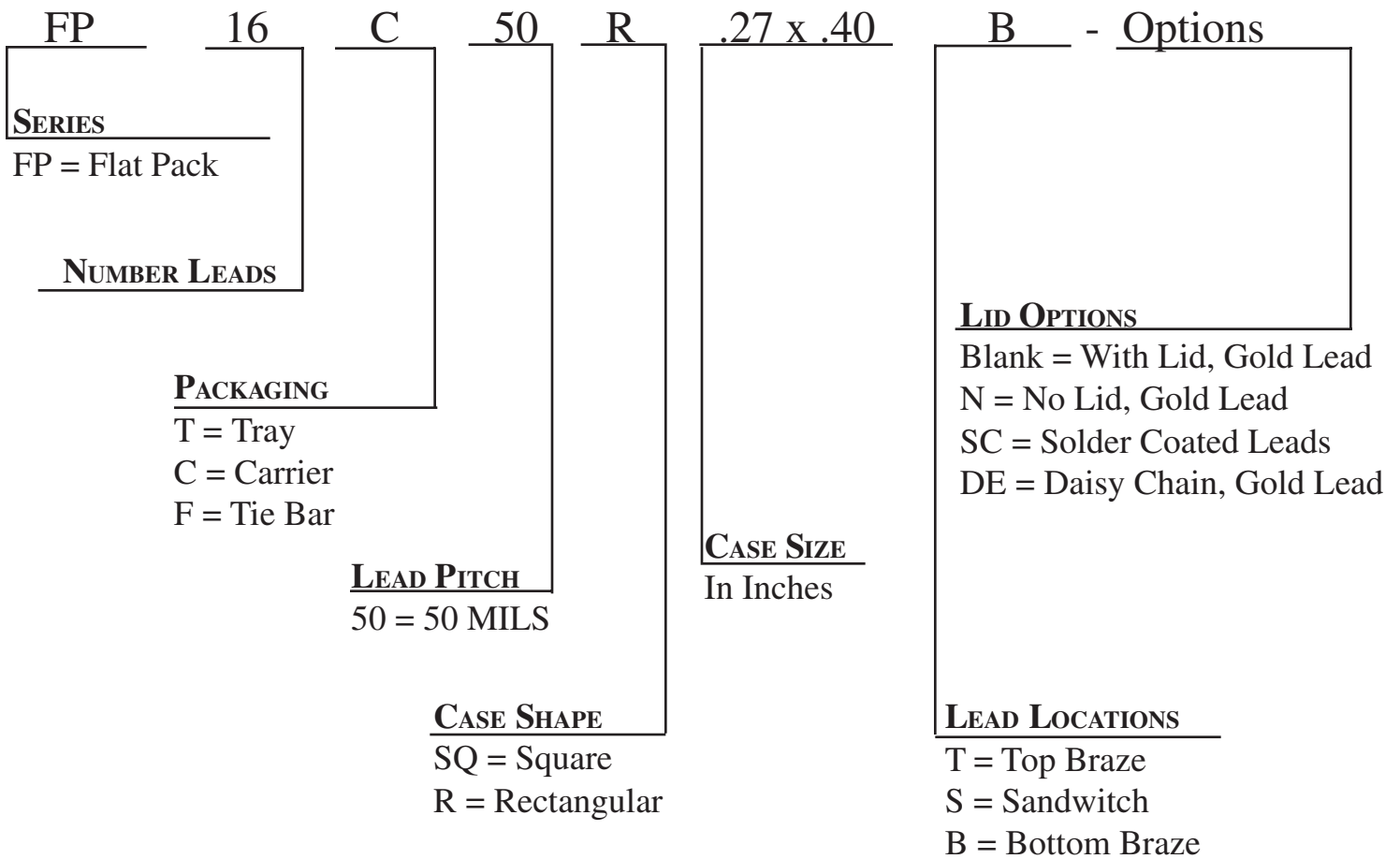
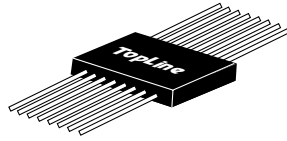
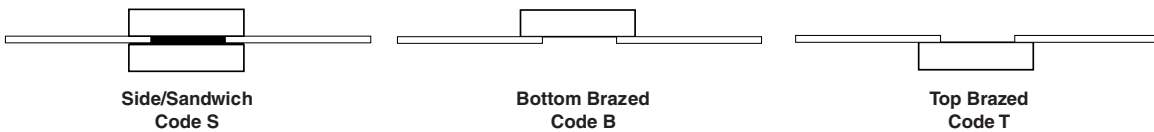


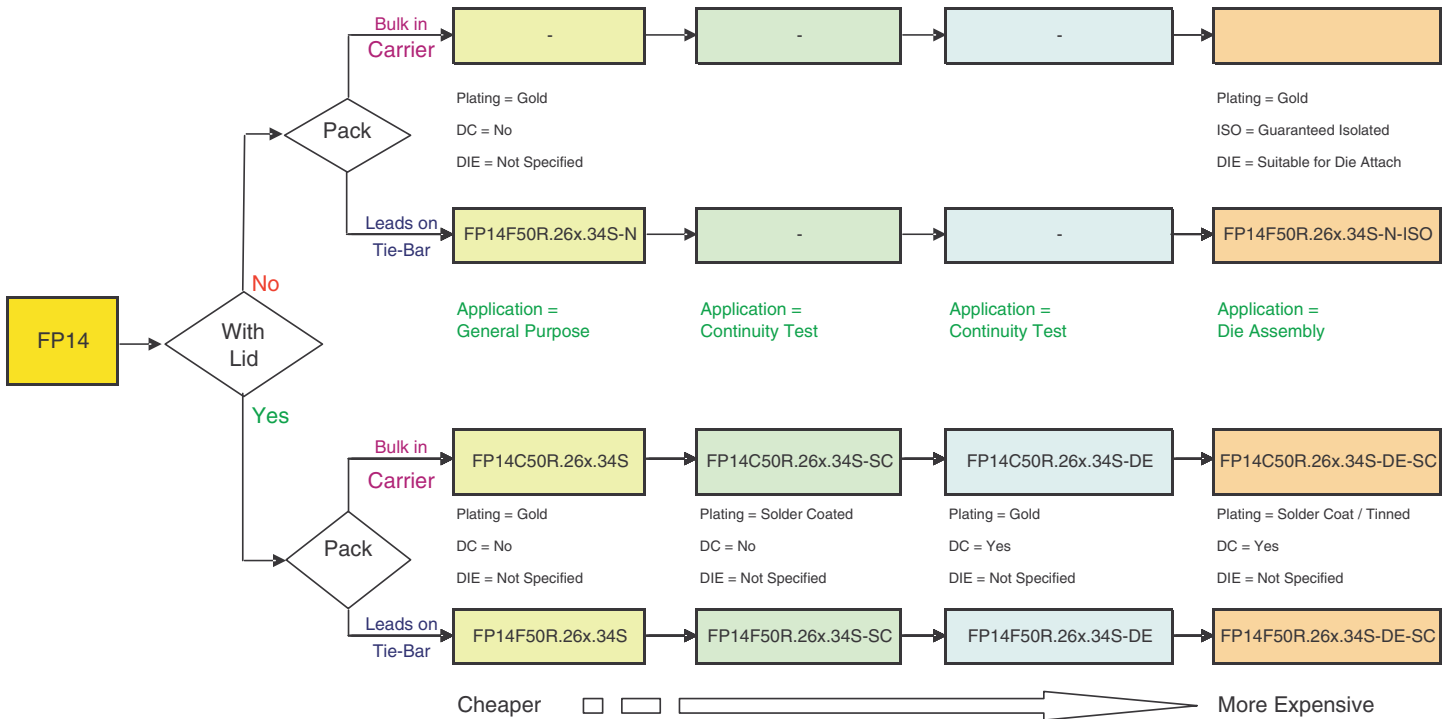
Flat Packs



LEAD LOCATIONS



Substituting "FP" Flat Pack



Suffix Codes:

"DE" = Daisy Chain "Even" (1-2, 3-4, 5-6, 7-8, etc) "ISO" = Isolated connections

Plating: Blank = Gold SC = Solder Coated or Tinned Sn63 Solder

Pack: "C" = Trimmed Leads in Plastic Carrier "F" = Leads on Tie-Bar. Must be trimmed and formed prior to assembly.

Lead Location: "S" = Side Brazed / Sandwich "T" = Top Brazed "B" = Bottom Brazed



Part Numbering System

TopLine Corporation
7331A Garden Grove Blvd
Garden Grove, Ca 92841 USA
Toll Free USA/Canada (800) 776-9888
Telephone: 1-714-898-3830
Fax 1-714-891-0321
Email sales@topline.tv
www.topline.tv

TopLine stocks a full range of standard and Lead Free dummy components and practice boards for SMT assembly practice and experimentation including Daisy Chain Test Vehicles.

Click here to download a full TopLine Dummy Components Catalog
<http://www.topline.tv/completecatalog.pdf>

TopLine also offers ESD static control products for the production floor.
http://www.esd.tv/TopLine_ESD_catalog.pdf