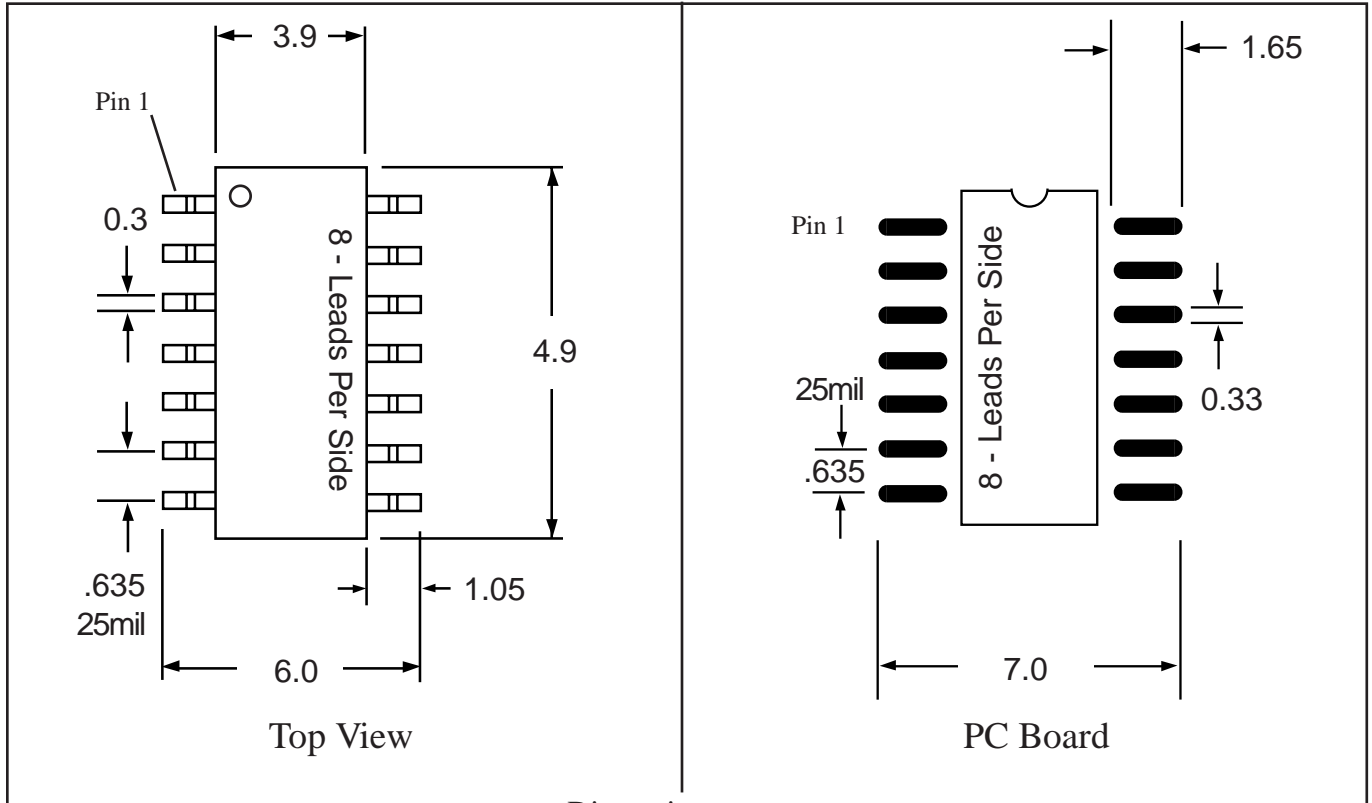
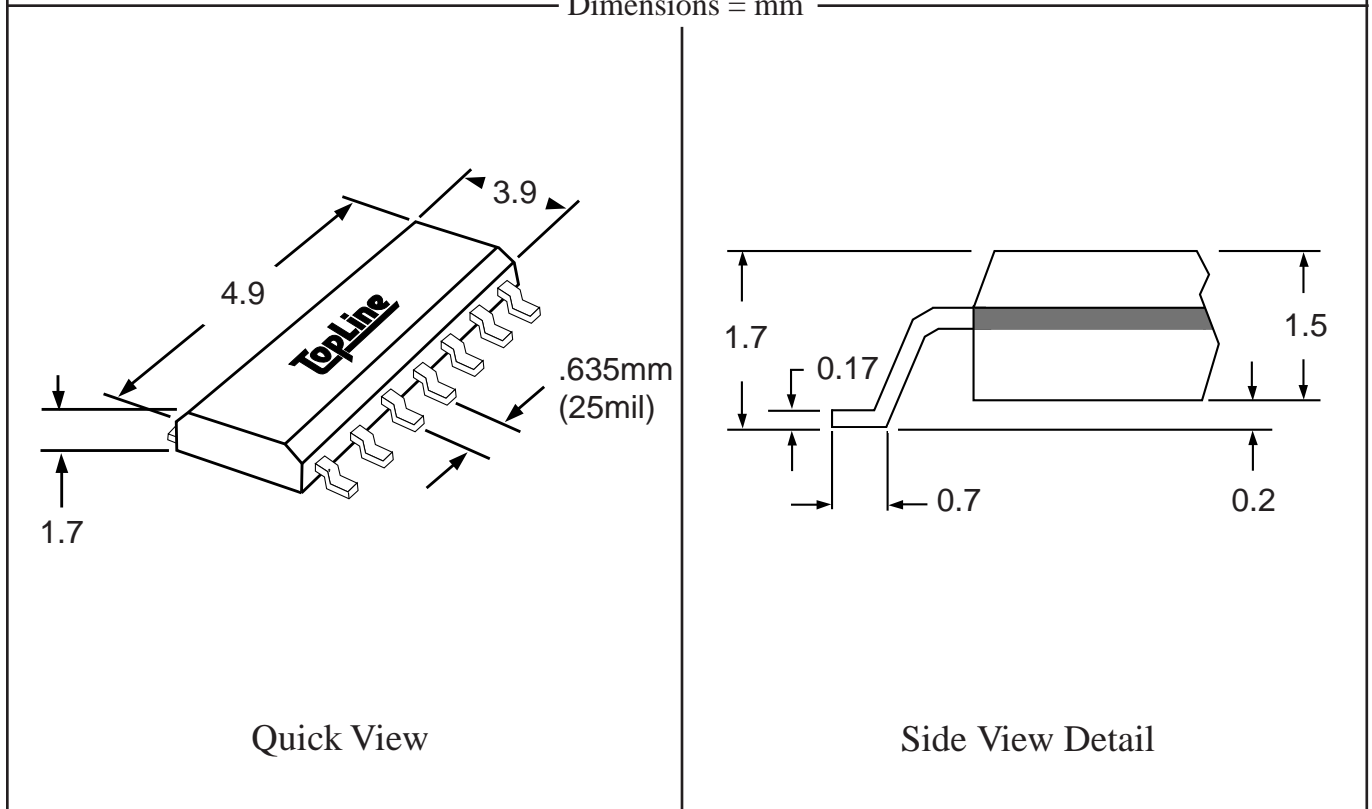


Part # **QSOP16M25**  
 Leads **16** Pitch **25.0mil (0.635mm)**  
 Body Size (Width) **150mil (3.9mm)**

**TopLine**™  
 Tel 1-714-898-3830  
 info@topline.tv



Dimensions = mm



Part # **QSOP20M25**

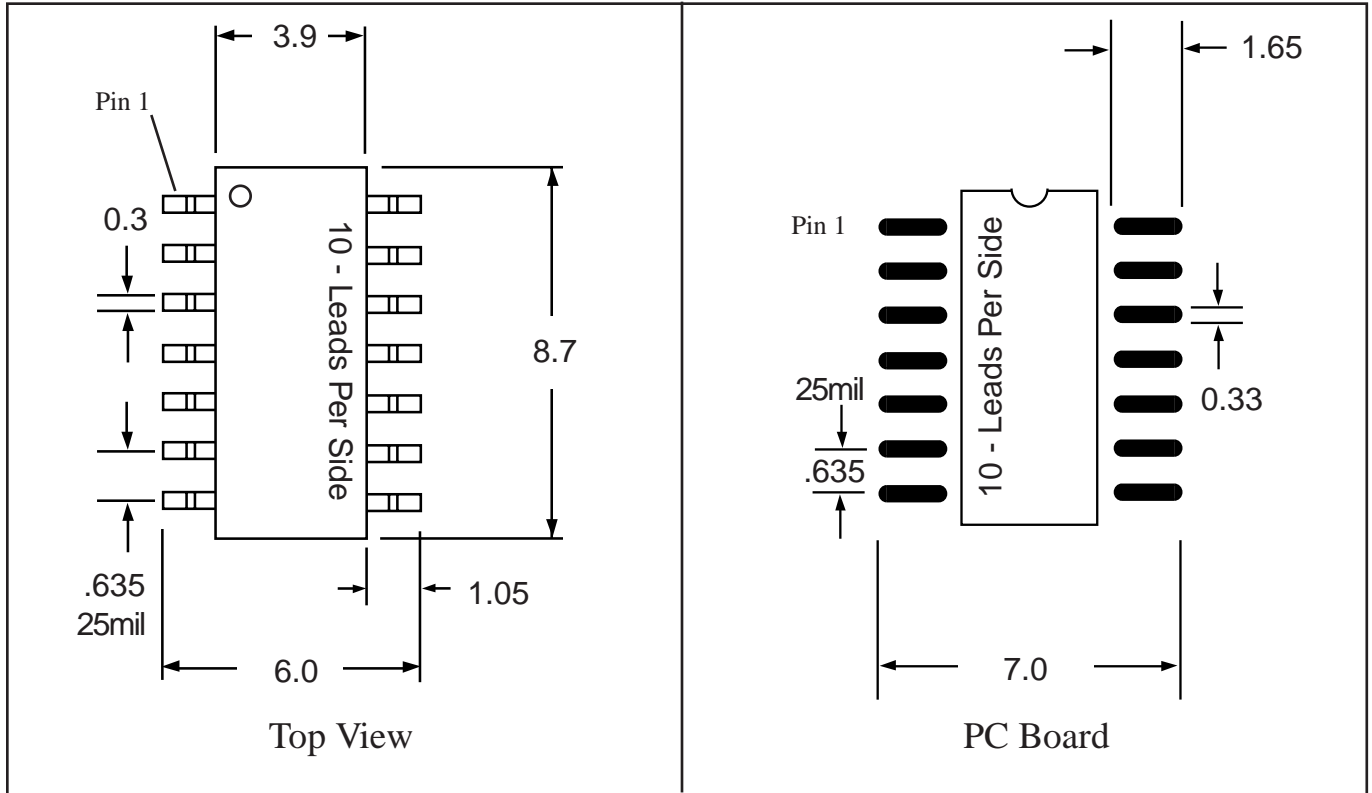
Leads **20** Pitch **25.0mil (0.635mm)**

Body Size (Width) **150mil (3.9mm)**

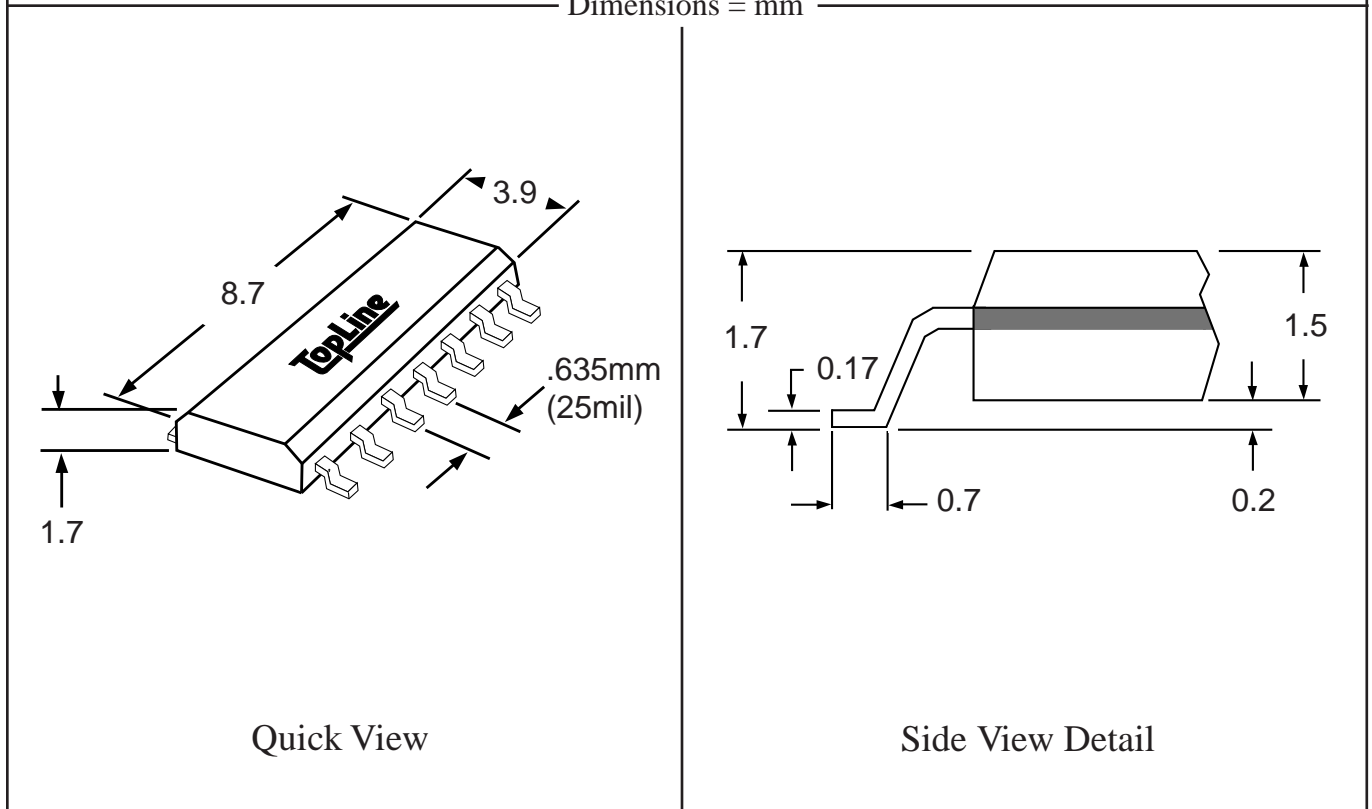
**TopLine**<sup>TM</sup>

Tel 1-714-898-3830

info@topline.tv



Dimensions = mm



Part # **QSOP24M25**

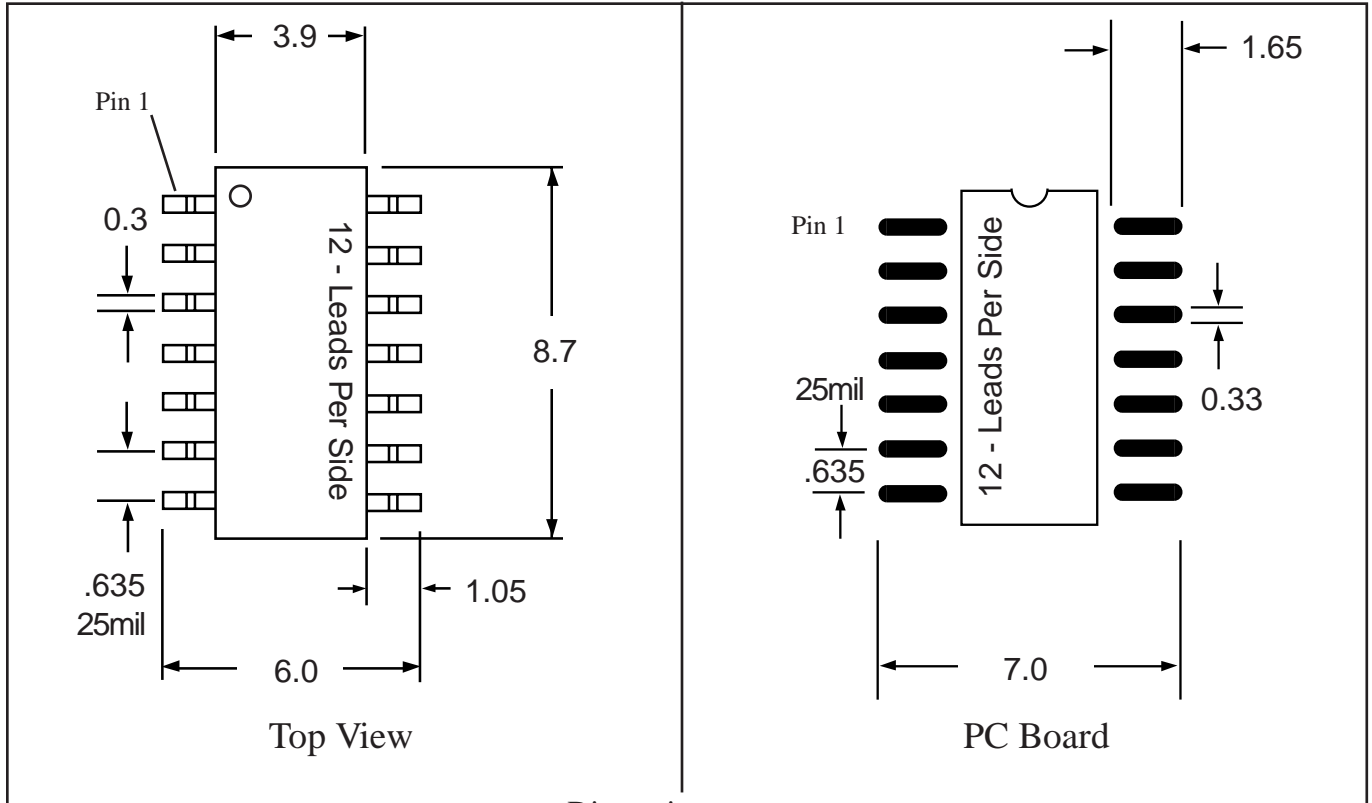
Leads **24** Pitch **25.0mil (0.635mm)**

Body Size (Width) **150mil (3.9mm)**

**TopLine**<sup>TM</sup>

Tel 1-714-898-3830

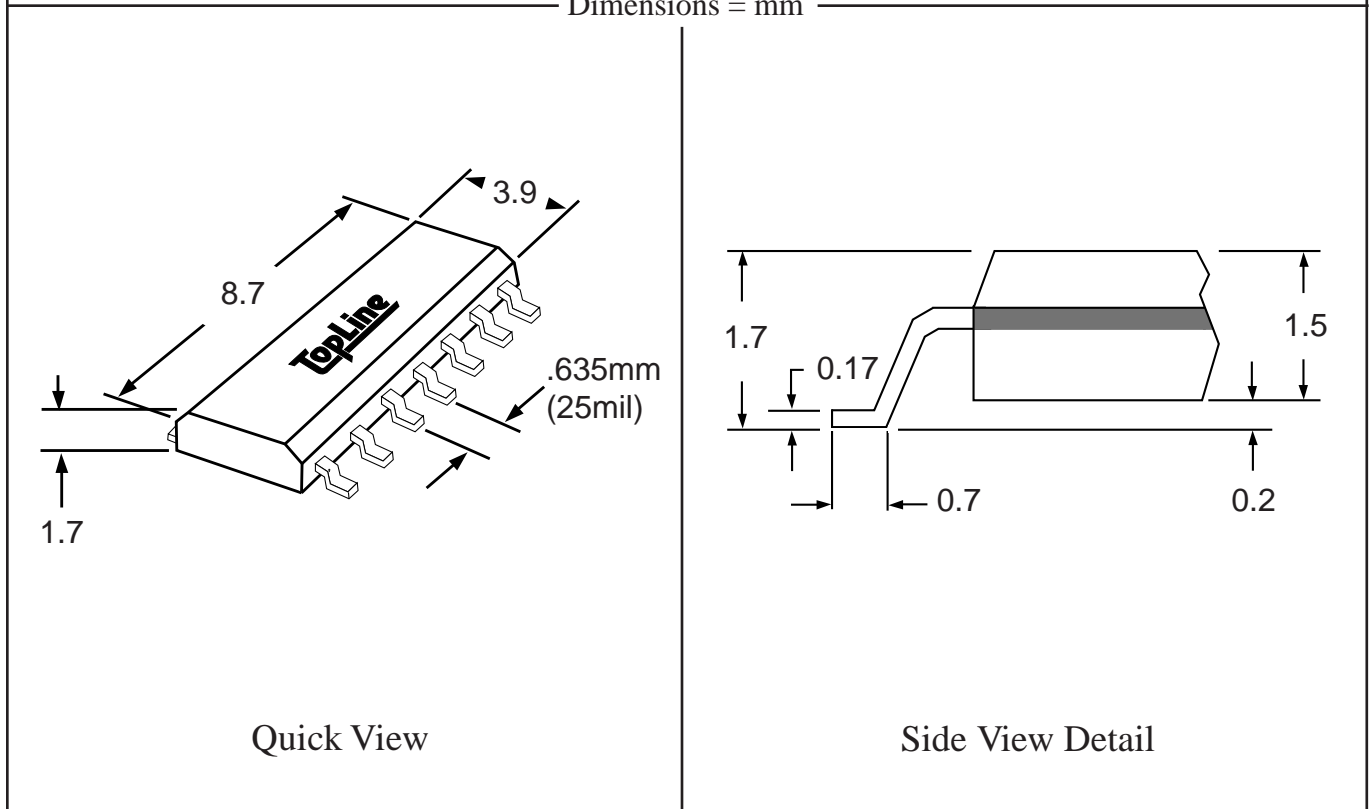
info@topline.tv



Top View

PC Board

Dimensions = mm



Quick View

Side View Detail

Part # **QSOP28M25**

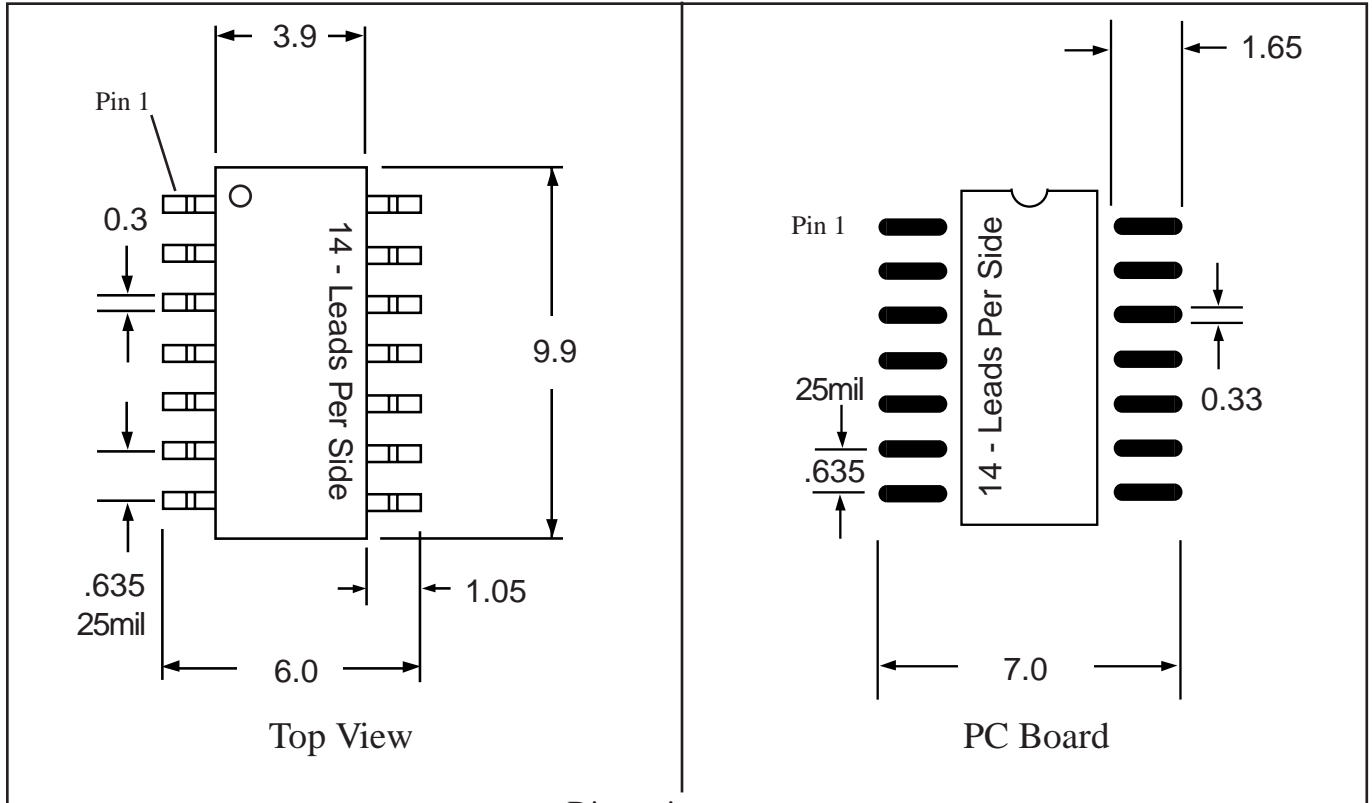
Leads **28** Pitch **25.0mil (0.635mm)**

Body Size (Width) **150mil (3.9mm)**

**TopLine**<sup>TM</sup>

Tel 1-714-898-3830

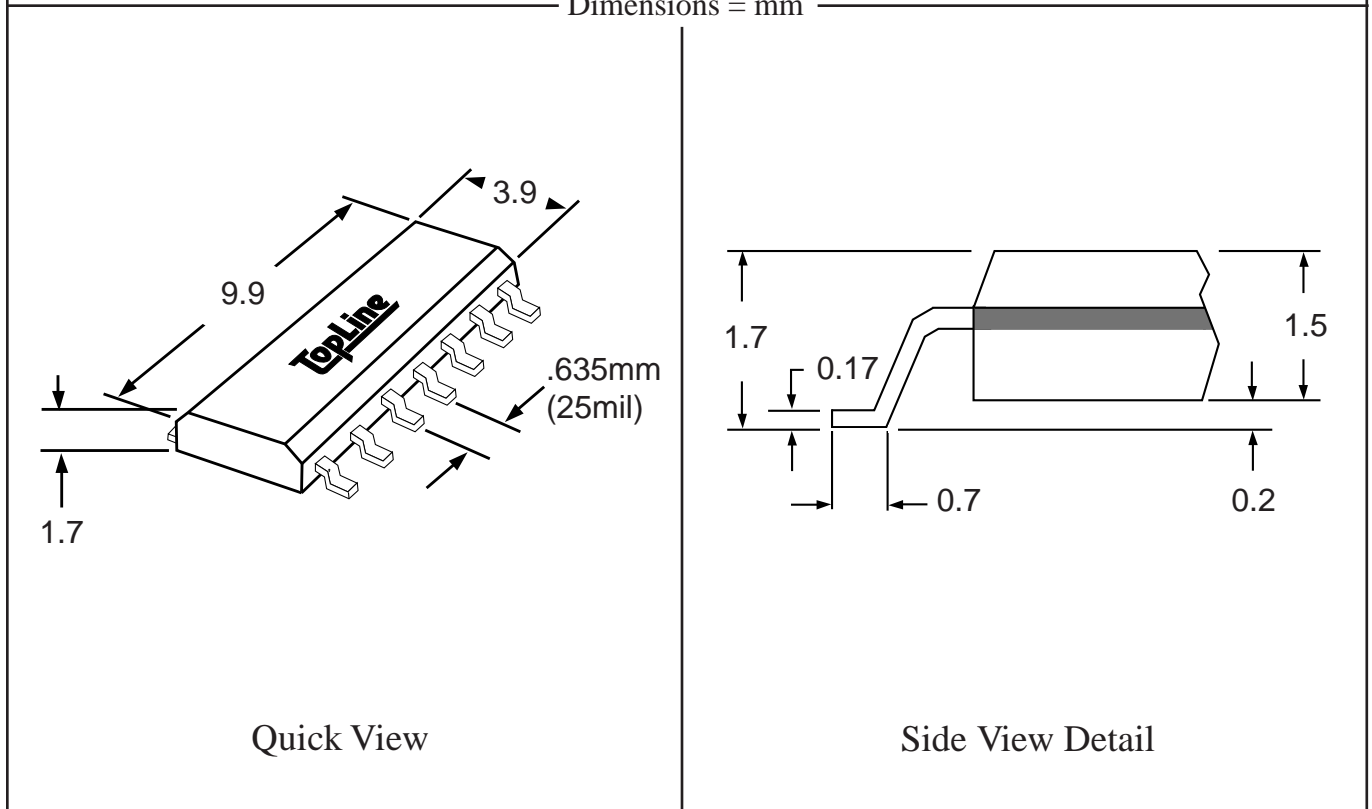
info@topline.tv



Top View

PC Board

Dimensions = mm



Quick View

Side View Detail