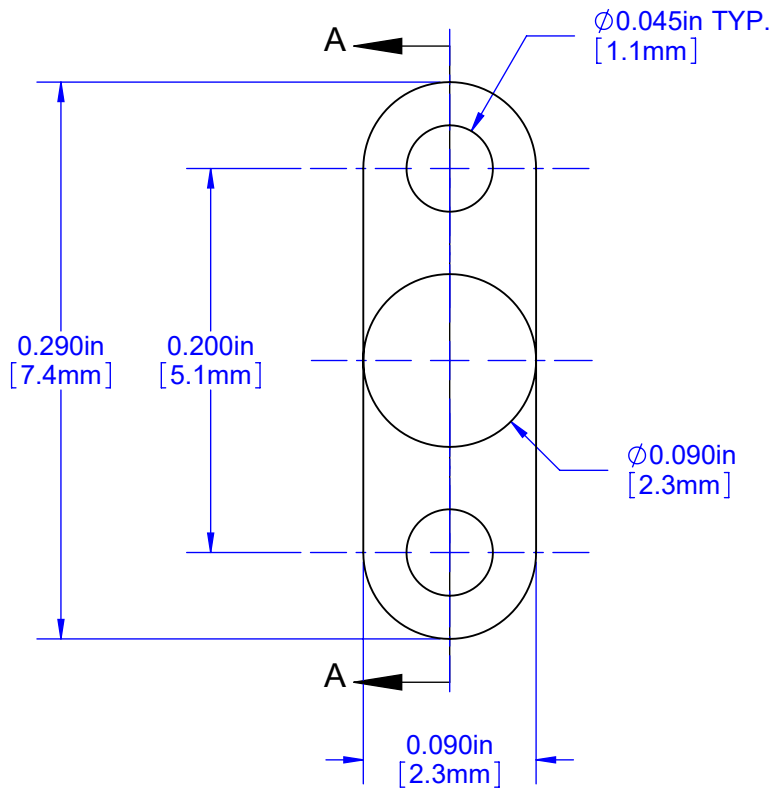
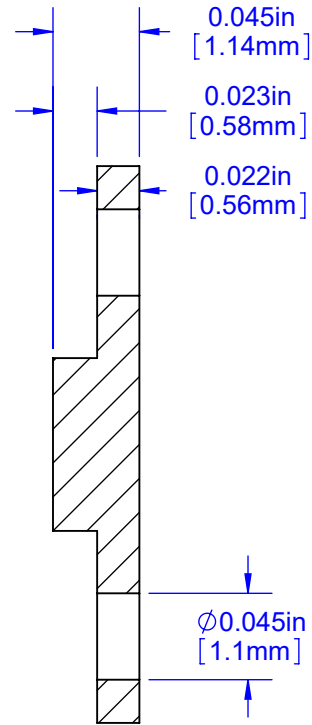


### TOP VIEW

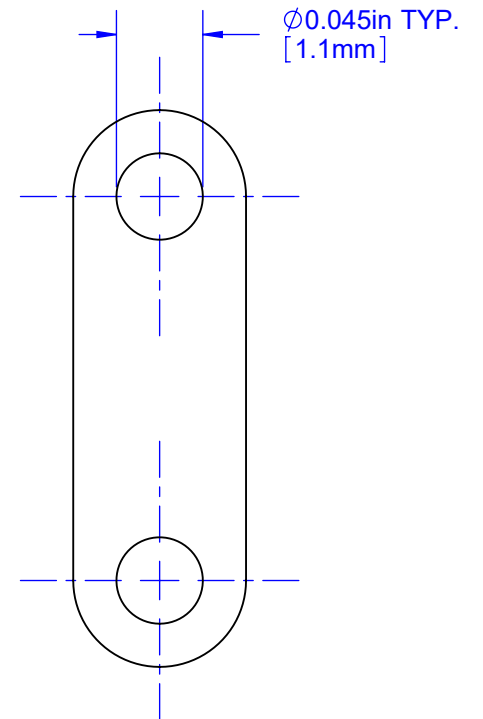


### SIDE VIEW



### SECTION A-A

### BOTTOM VIEW



### MODEL

MATERIAL: HIGH TEMPERATURE GLASS FILLED LCP.  
 COLOR: NATURAL (TAN).

APPROVALS	DATE	<b>TopLine®</b>			
DRAWN T. Au	05/27/16				
ENG M. Hart	05/27/16	TITLE CK06 STANDOFF			
MFG		SCALE 10:1	SIZE A	DRAWING NO. 333045	REV A
QA					
CUST		DO NOT SCALE DRAWING			SHEET 1 OF 1
REVISED					