

Part # **SOL18**

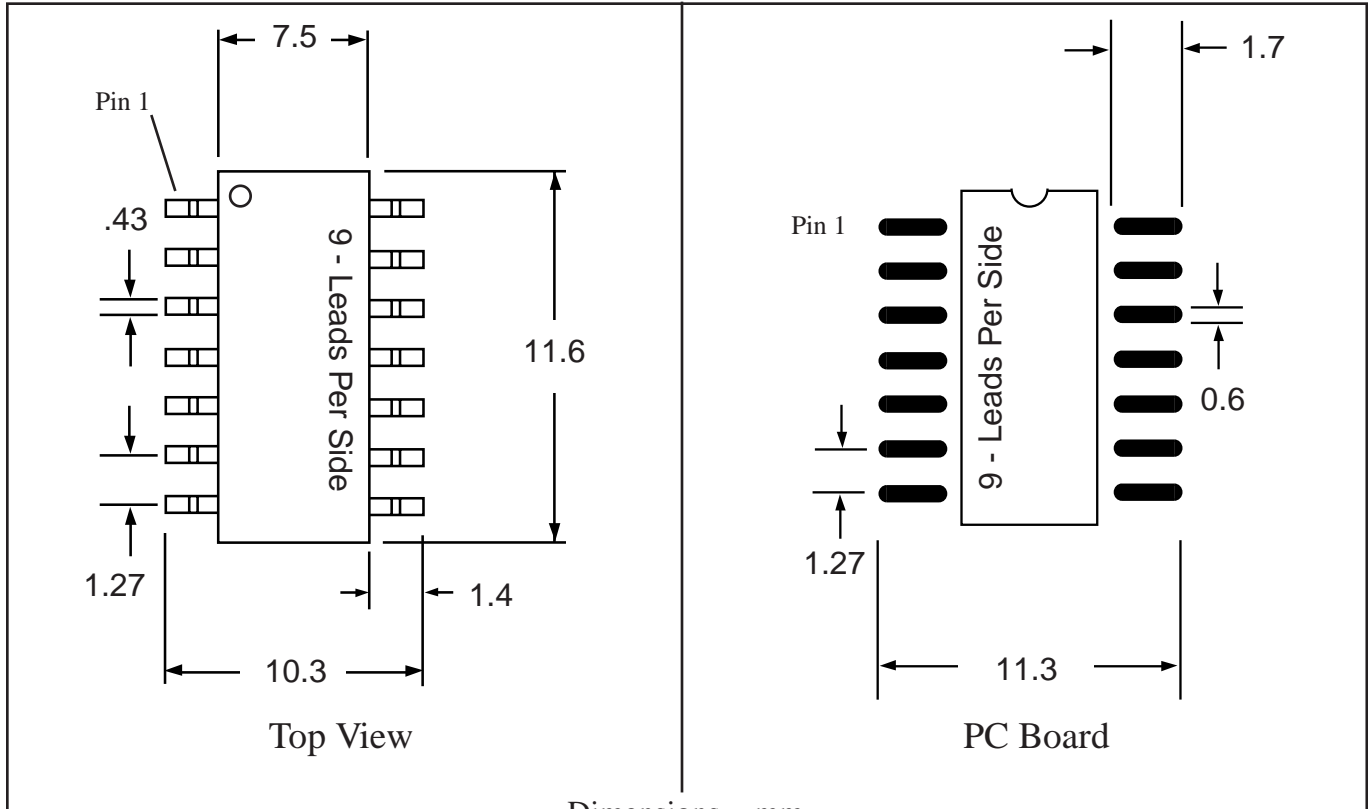
Leads **18** Pitch **1.27mm (.05")**

Body Size **300mil (7.5mm)**

**TopLine**<sup>TM</sup>

Tel 1-714-898-3830

info@topline.tv



Dimensions = mm

