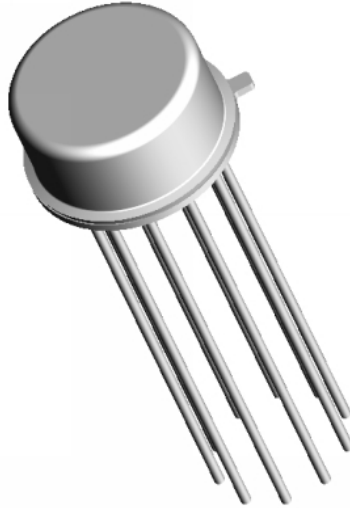




Contact Us:
Tel: 1-800-776-9888
sales@TopLine.tv
www.TopLine.tv

TO100
JEDEC TO-100 Package
TopLine Dummy Component
For training, practice and evaluation



Quick Specs:
Pin Count 10L
Pitch 0.20~0.23" (5.0~5.6mm)
36°
Body 0.325" Dia (8.2 mm)
Flange 0.370" Dia (9.4 mm)
Metal Body

Use and Applications:
IPC Solder Training & Practice
Equipment Evaluation
Prototype PWB

Availability:
Delivery Stock to 4 weeks

Part Numbers:
TO100 = SnPb
TO100-GOLD = Au

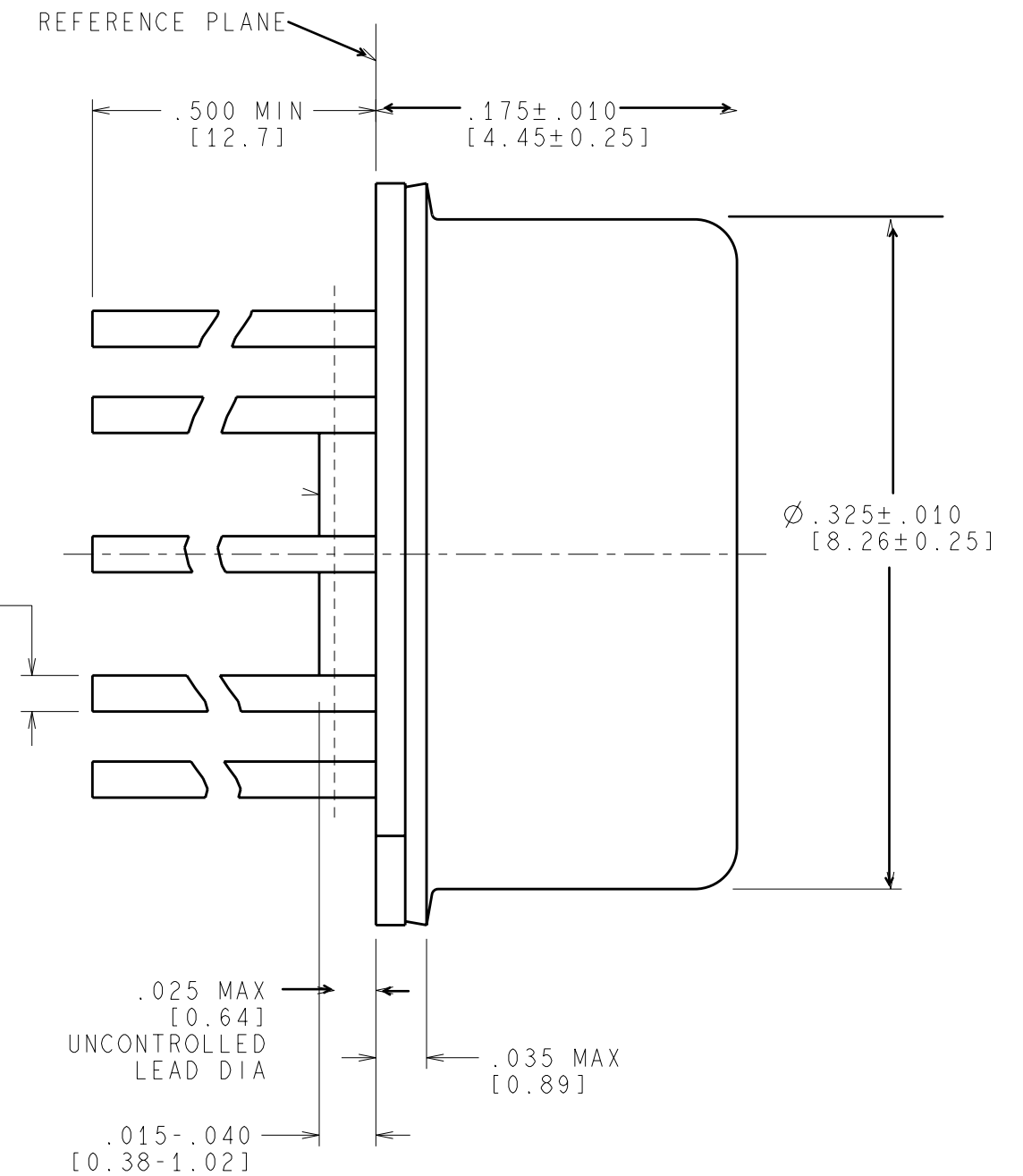
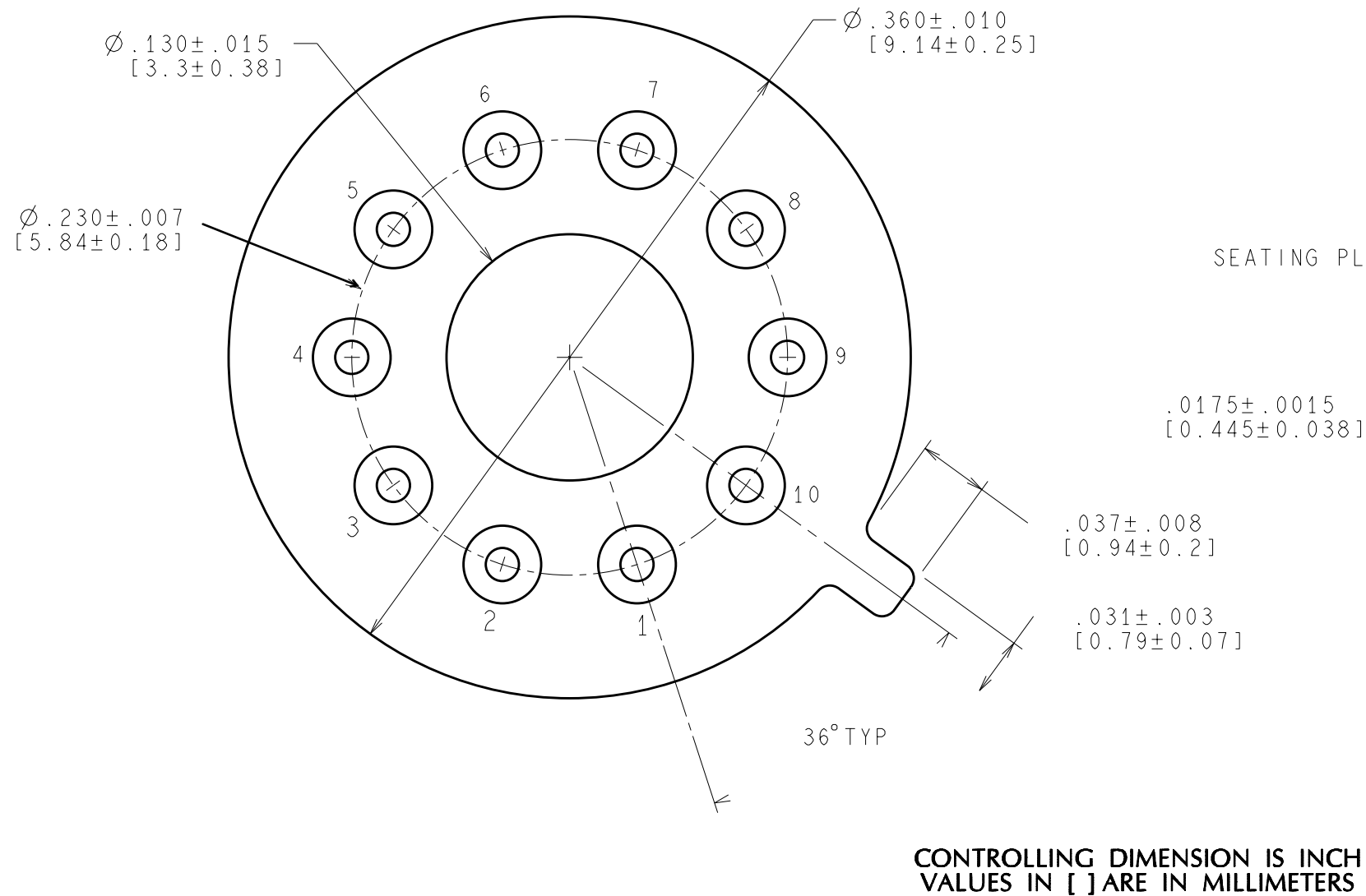
[See Page 2 Outline Drawing](#)

Part Numbering System

TO100	-	Option
Jedec Series	-	Plating
Metal Case	-	Blank = SnPb GOLD = Au

Options: open **Headers and cans** available for packaging live die.
State your die size requirement.

TopLine Corporation
95 Highway 22 W
Milledgeville, GA 31061, USA
Toll Free USA/Canada (800) 776-9888
International: 1-478-451-5000 • Fax: 1-478-451-3000
Email: sales@topline.tv



NOTES: UNLESS OTHERWISE SPECIFIED

1. LEADS TO BE LOCATED WITHIN .007 IN/ 0.18 mm OF THEIR TRUE POSITIONS RELATIVE TO A MAXIMUM WIDTH TAB.
2. STANDARD METAL CAN TYPE: SOLID BASE WITH CERAMIC STANDOFF.
3. APPLIES TO MIL-AERO AND LINEAR PRODUCTS.
4. REFERENCE JEDEC REGISTRATION TO-100, JEDEC PUBLICATION No.95.

**METAL CAN,
 TO-100, 10 LEAD,
 .230 DIA P.C.**