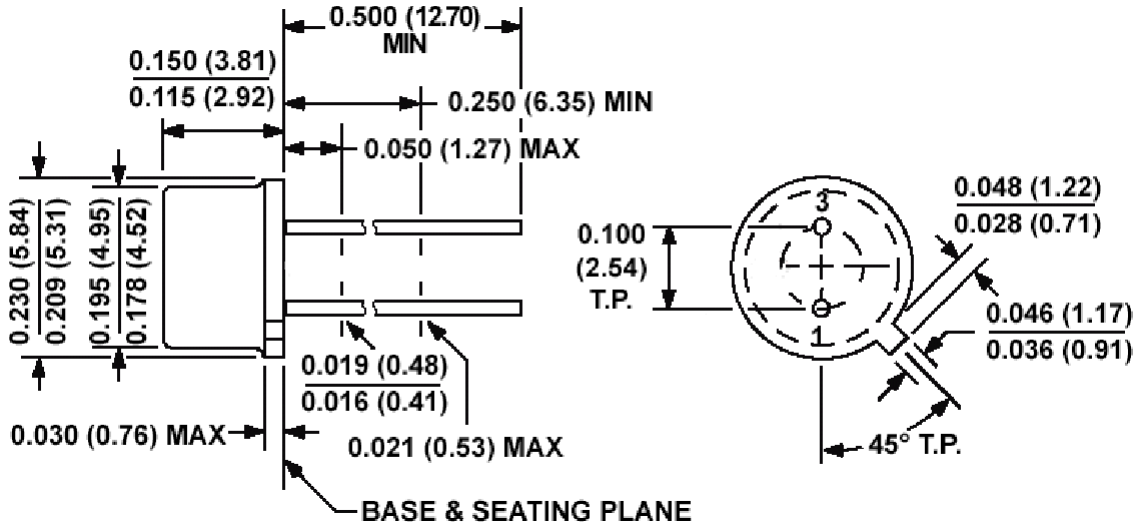
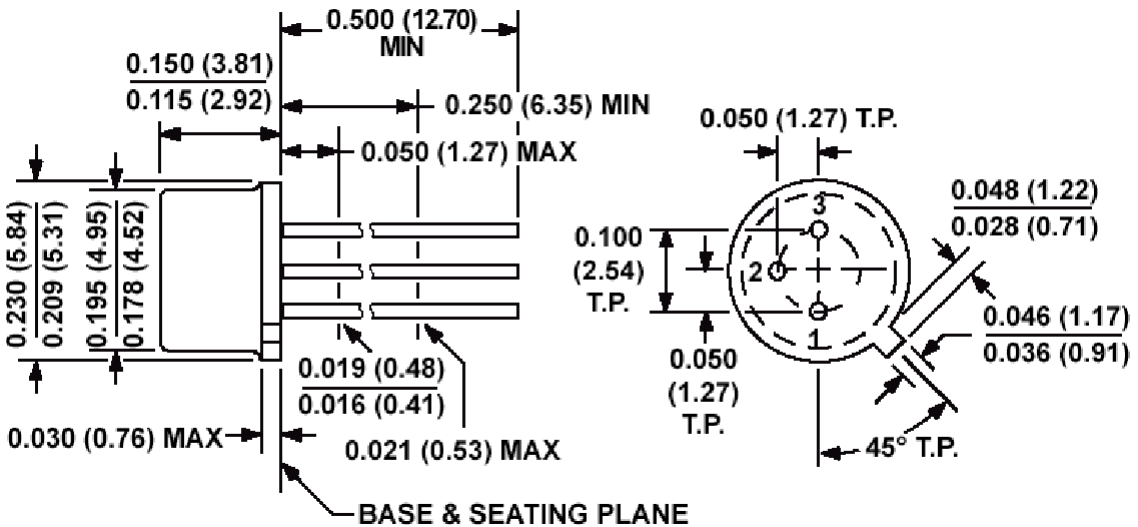


**TO52-2L  
2-Lead Version**



**TO52-3L  
3-Lead Version**



Controlling Dimension is Inch  
Millimeter (mm) for reference only