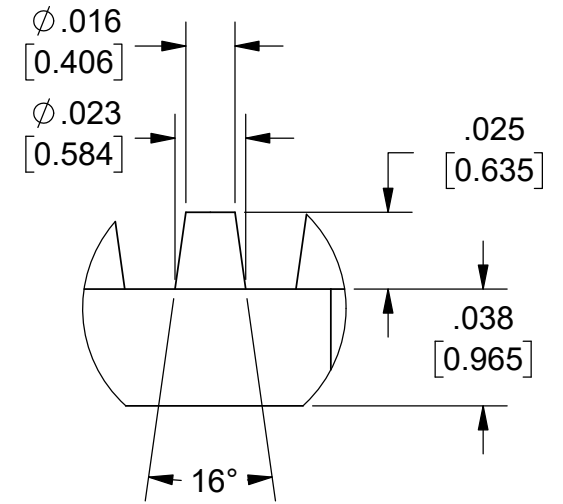
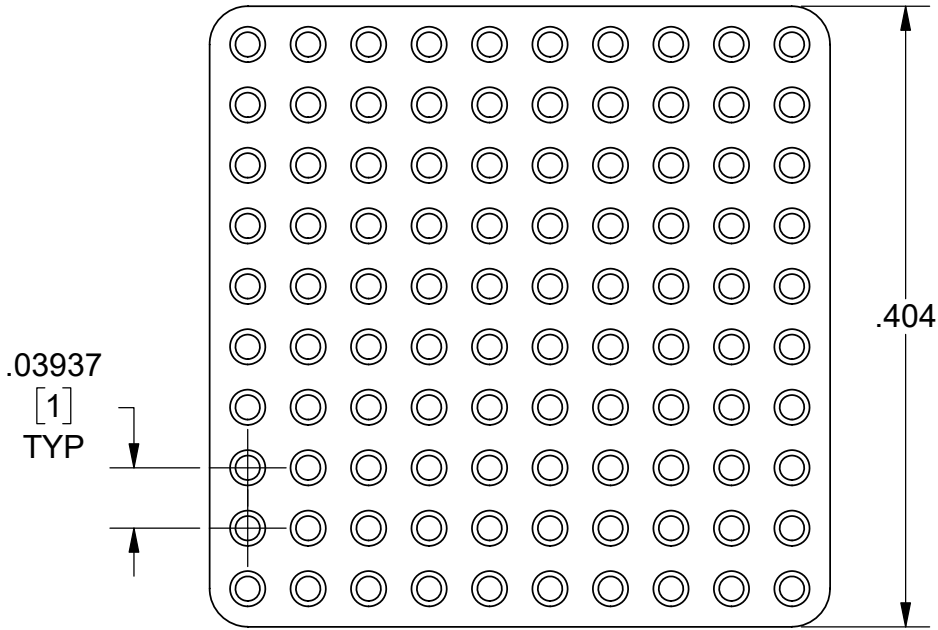
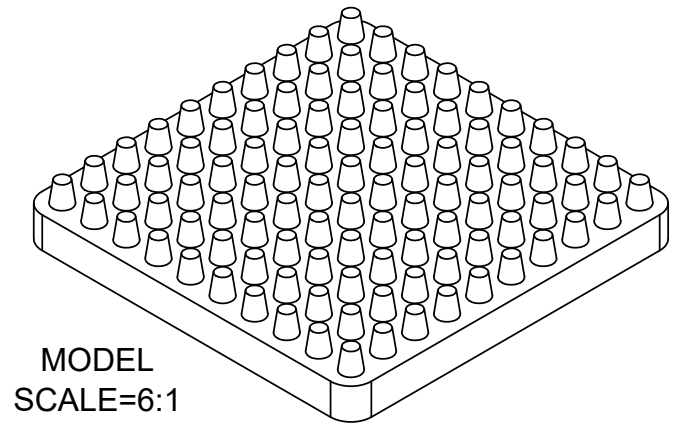
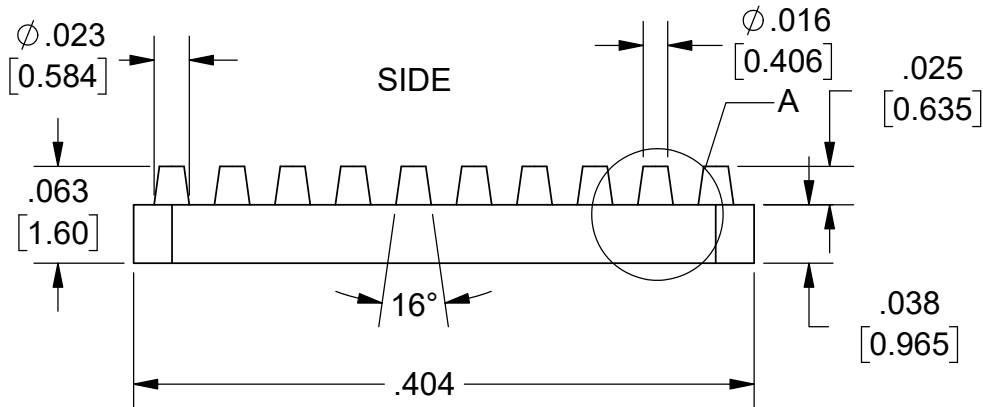



TOP



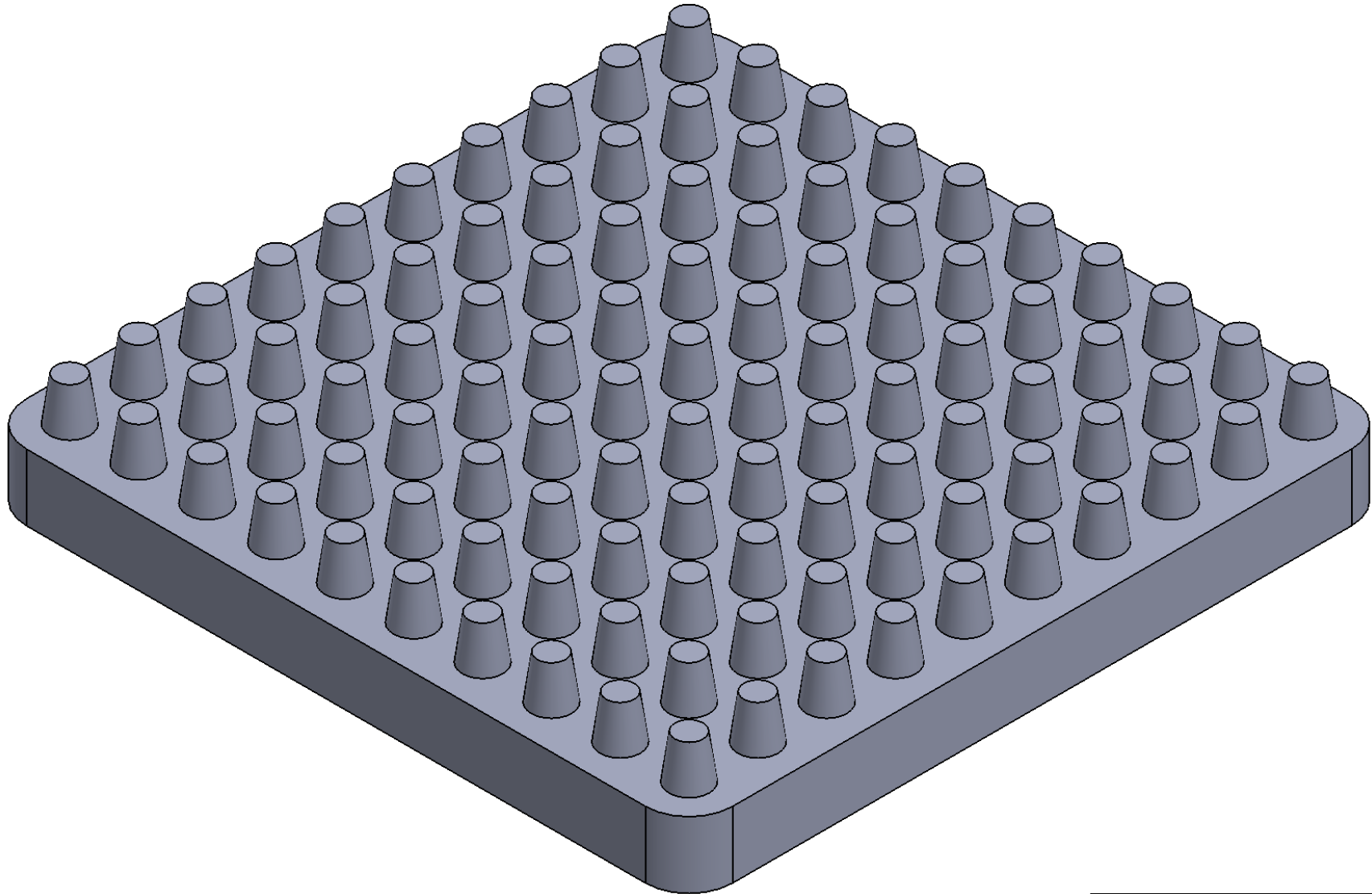
DETAIL A  
SCALE 16 : 1



NOTES: (UNLESS OTHERWISE SPECIFIED).  
1) DIMENSIONS: INCH [MM].

| APPROVALS |          | DATE       |  |      |             |              |
|-----------|----------|------------|---|------|-------------|--------------|
| DRAWN     | J. Hines | 12/30/2016 |   |      |             |              |
| ENG       | M. Hart  | 12/30/2016 | <b>TAMPING-TOOL</b><br><b>PITCH 1.0MM - 10X10</b>                                     |      |             |              |
| MFG       |          |            |   |      |             |              |
| QA        |          |            | SCALE   | SIZE | DRAWING NO. | REV          |
| CUST      |          |            | 8:1   | A    | 708003      | A            |
| REVISED   |          |            | DO NOT SCALE DRAWING  |      |             | SHEET 1 OF 2 |

MODEL  
TOP VIEW



|                            |      |                                     |              |
|----------------------------|------|-------------------------------------|--------------|
| <b>TopLine<sup>®</sup></b> |      |                                     |              |
| TITLE                      |      | TAMPING-TOOL<br>PITCH 1.0MM - 10X10 |              |
| SCALE                      | SIZE | DRAWING NO.                         | REV          |
| 16:1                       | A    | 708003                              | A            |
| DO NOT SCALE DRAWING       |      |                                     | SHEET 2 OF 2 |