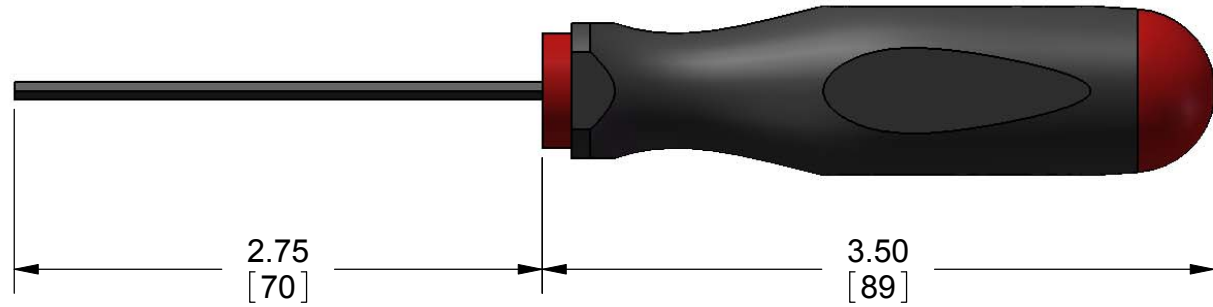
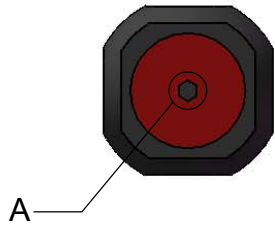
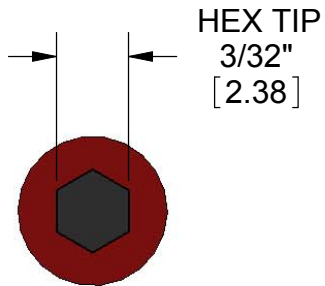


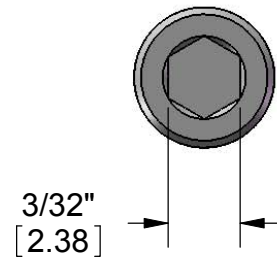
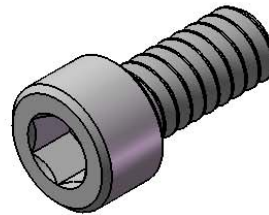
SCREW DRIVER  
HEX 3-32



EXAMPLE SCREW  
HEX 3-32  
SCALE = 4:1



DETAIL A  
SCALE 4 : 1



NOTES: (UNLESS OTHERWISE SPECIFIED).  
1) DIMENSIONS: INCH [MM].

<b>TopLine®</b>			
TITLE		SCREW DRIVER HEX TIP 3-32	
SCALE	SIZE	DRAWING NO.	REV
1:1	A	704002	A
DO NOT SCALE DRAWING			SHEET F OF F