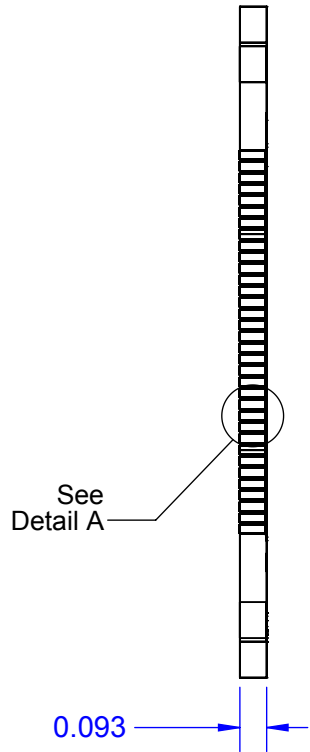
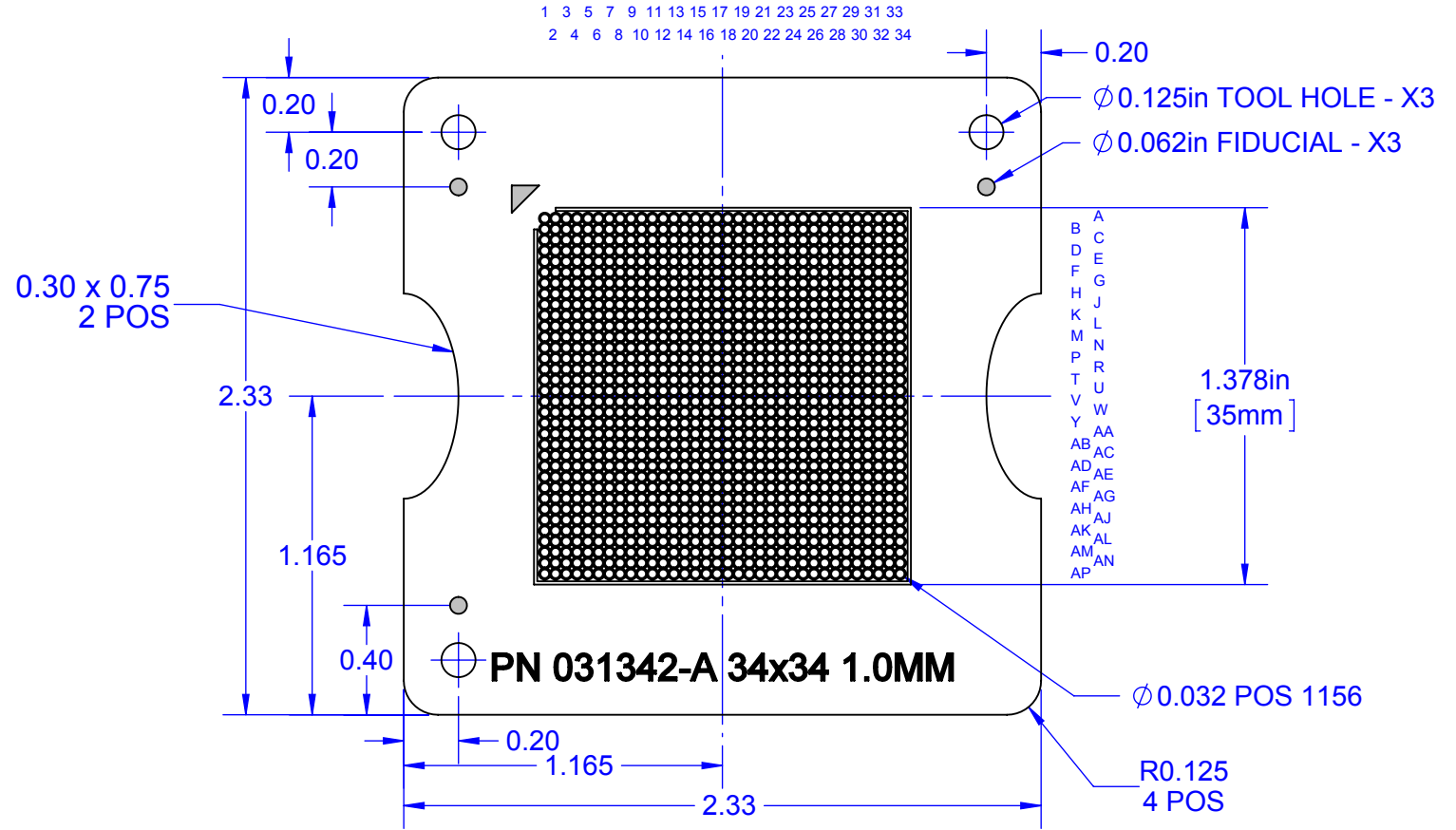


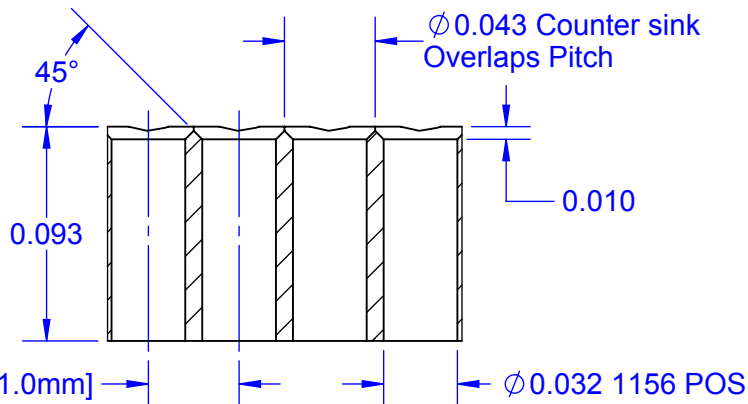
SIDE VIEW



TOP VIEW



DETAIL A

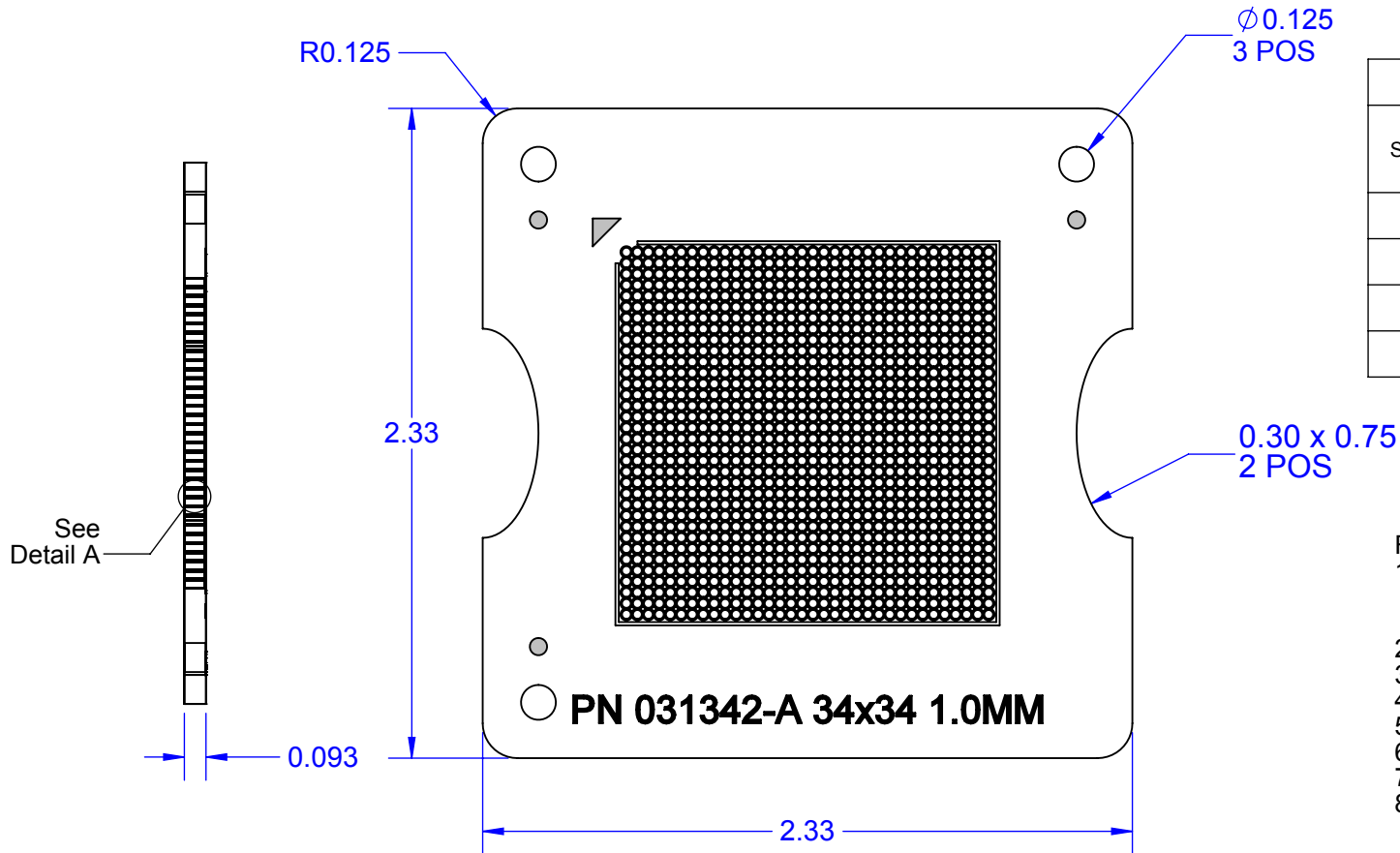


NOTES:

1. DIMENSIONS IN INCH UNLESS OTHERWISE STATED.
2. MATERIAL: FR4 COLOR BLACK.
3. LEGEND: WHITE INK.
4. PIN REFERENCE DESIGNATORS NOT MARKED ON PCB

APPROVALS	DATE	TopLine®		
DRAWN T. Au	07/21/15			
ENG M. Hart	07/21/15	TITLE CCGA1152 TRAY INSERT 2.33" SQ		
MFG		SCALE 3:2	SIZE A	DRAWING NO. 031342
QA				REV A
CUST				
REVISED		DO NOT SCALE DRAWING		SHEET 1 OF 3

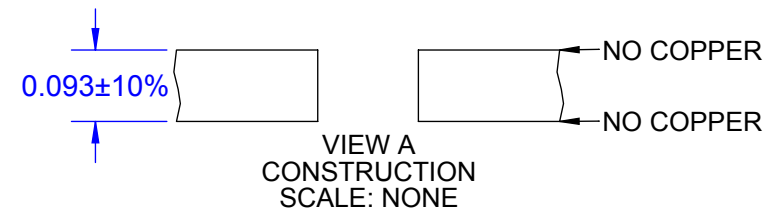
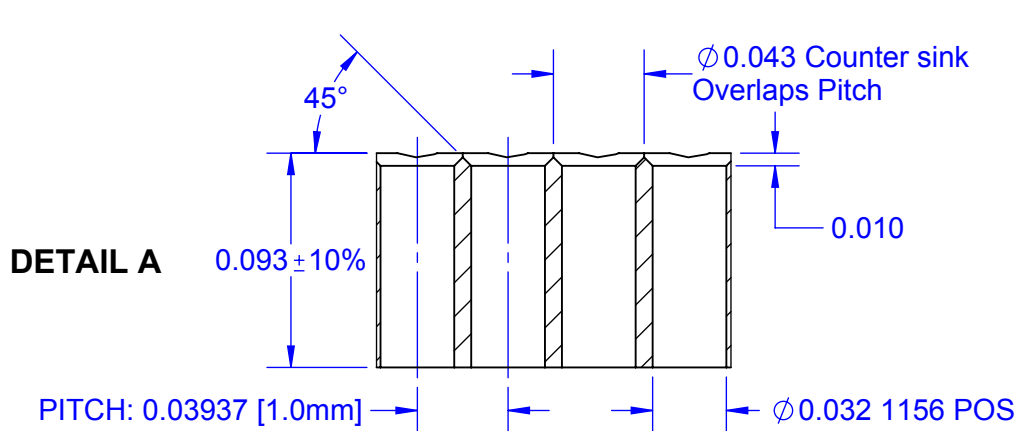
FAB DRILL AND PLATED THROUGH HOLES



HOLE CHART			
SYMBOL	DIAMETER UNPLATED THRU	COUNTER SINK	QTY PCB
+	0.032±0.003	-	1156
○	-	0.043±0.003	1156
○	Ø0.125		3
TOTAL			2315

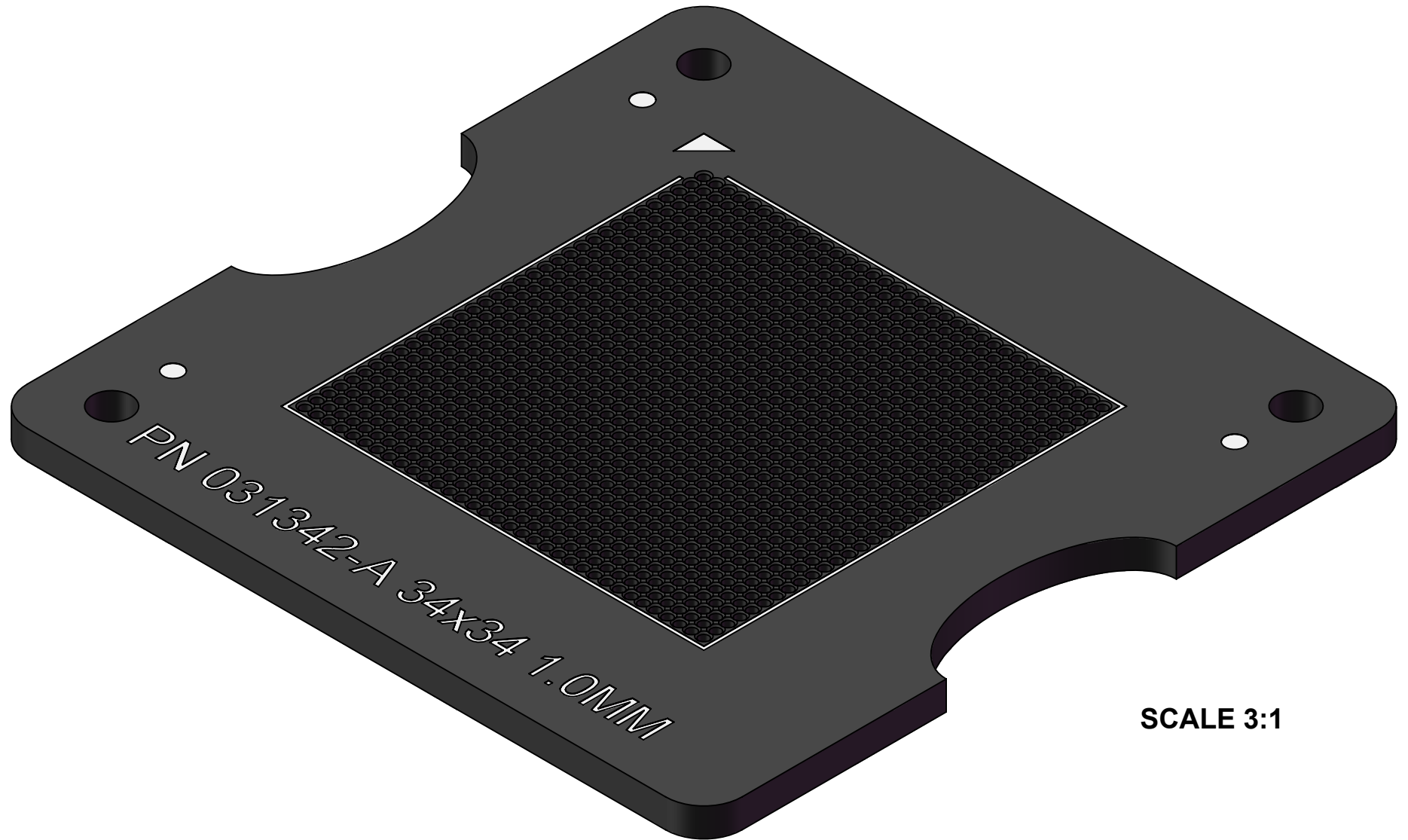
FAB NOTES:

- MATERIAL:
A. NO COPPER (0/0).
B. G10 BLACK COLOR.
- REFER TO DETAIL A COUNTER SINK.
- REFER TO VIEW A FOR STACK UP.
- NO PTH HOLES.
- NO SOLDER MASK.
- NO PCB MFRG LOGO ALLOWED.
- SILKSCREEN WHITE INK.
- FULLY ROUTE EACH BOARD.



TopLine®			
TITLE CCGA1152 TRAY INSERT 2.33" SQ			
SCALE 1.25:1	SIZE A	DRAWING NO. 031342	REV A
DO NOT SCALE DRAWING			SHEET 2 OF 3

MODEL



SCALE 3:1

TopLine[®]			
TITLE		CCGA1152 TRAY INSERT 2.33" SQ	
SCALE	SIZE	DRAWING NO.	REV
3:1	A	031342	A
DO NOT SCALE DRAWING			SHEET 3 OF 3