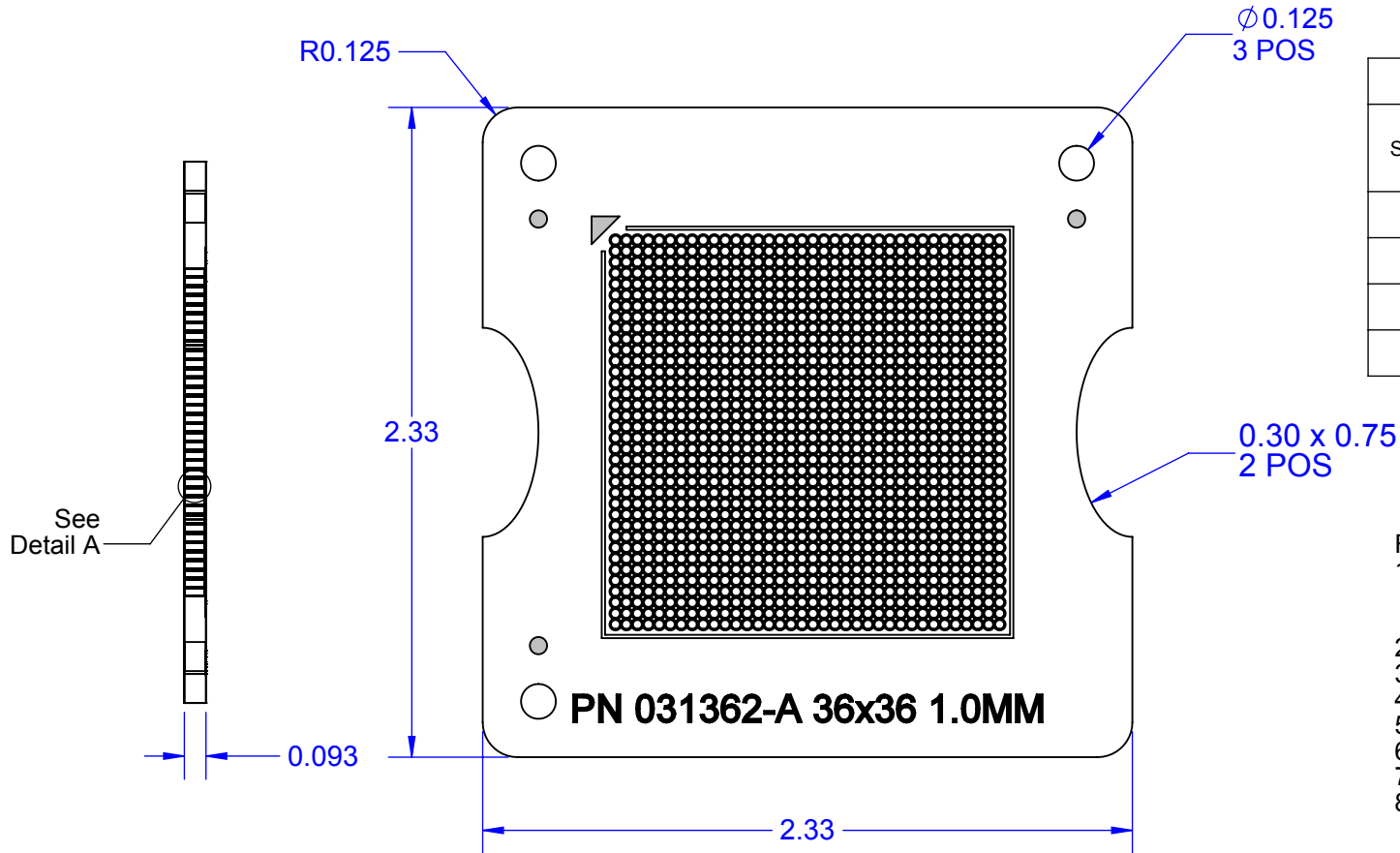
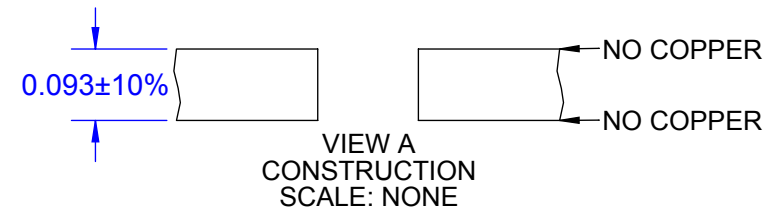
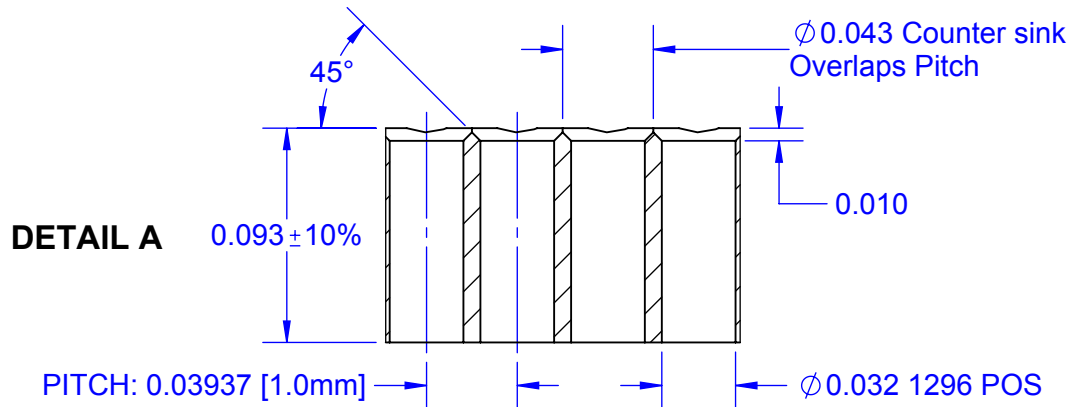


FAB DRILL AND PLATED THROUGH HOLES



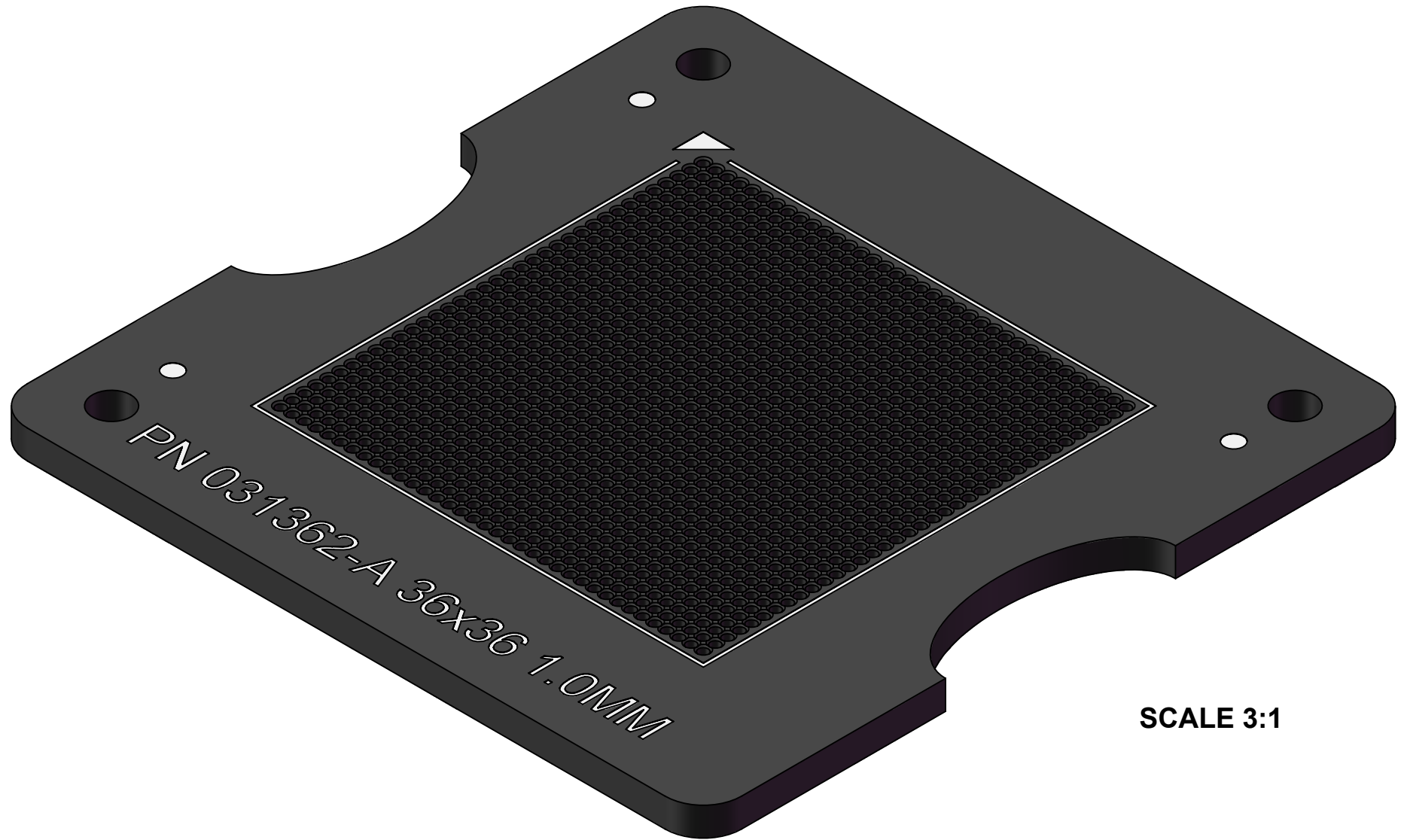
HOLE CHART			
SYMBOL	DIAMETER UNPLATED THRU	COUNTER SINK	QTY PCB
+	0.032±0.003	-	1296
○	-	0.043±0.003	1296
○	∅0.125		3
TOTAL			2595

- FAB NOTES:
- MATERIAL:
 - A. NO COPPER (0/0).
 - B. G10 BLACK COLOR.
 - REFER TO DETAIL A COUNTER SINK.
 - REFER TO VIEW A FOR STACK UP.
 - NO PTH HOLES.
 - NO SOLDER MASK.
 - NO PCB MFRG LOGO ALLOWED.
 - SILKSCREEN WHITE INK.
 - FULLY ROUTE EACH BOARD.



TopLine®			
TITLE CCGA1272 TRAY INSERT 2.33" SQ			
SCALE 1.25:1	SIZE A	DRAWING NO. 031362	REV A
DO NOT SCALE DRAWING			SHEET 2 OF 3

MODEL



SCALE 3:1

TopLine[®]			
TITLE		CCGA1272 TRAY INSERT 2.33" SQ	
SCALE	SIZE	DRAWING NO.	REV
3:1	A	031362	A
DO NOT SCALE DRAWING			SHEET 3 OF 3