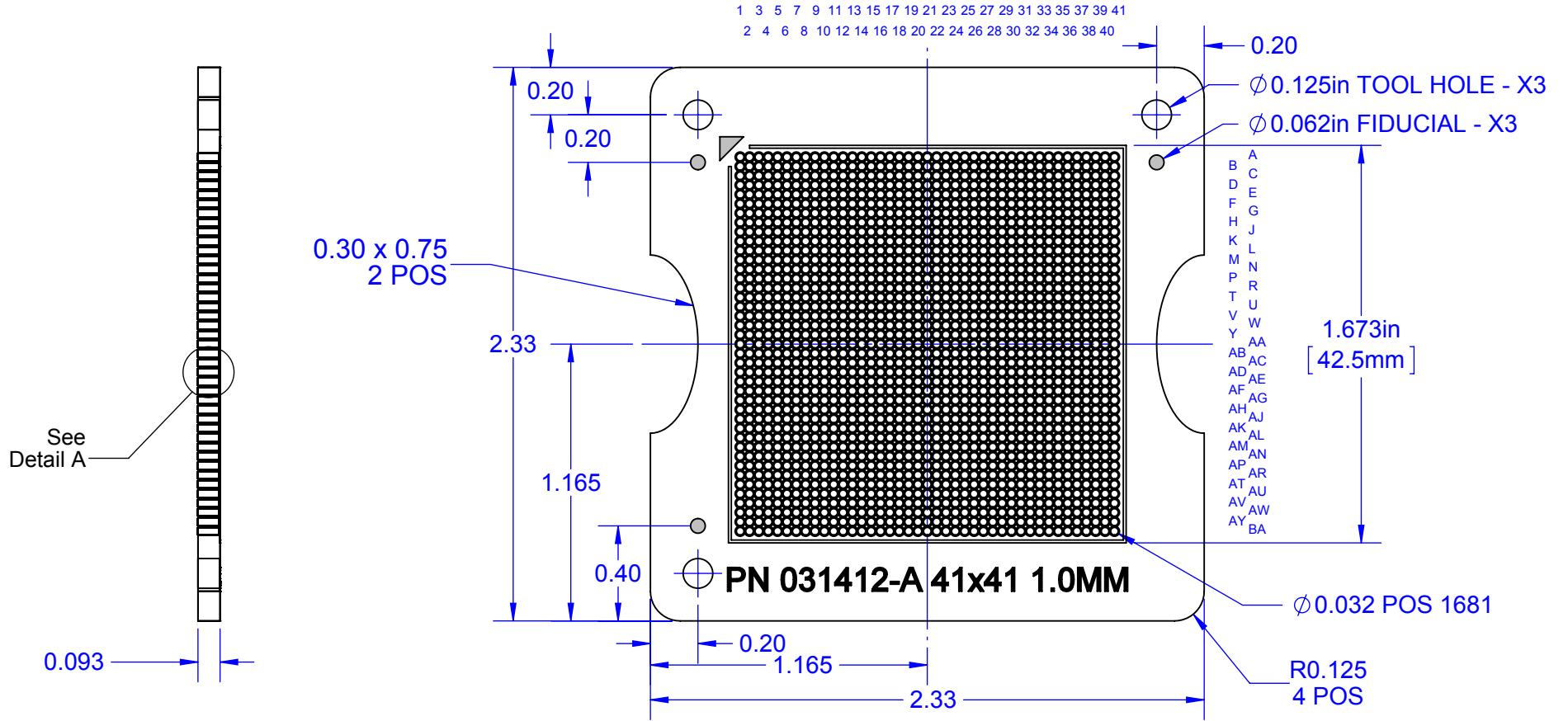


SIDE VIEW

TOP VIEW



See Detail A

1 3 5 7 9 11 13 15 17 19 21 23 25 27 29 31 33 35 37 39 41
2 4 6 8 10 12 14 16 18 20 22 24 26 28 30 32 34 36 38 40

0.30 x 0.75
2 POS

PN 031412-A 41x41 1.0MM

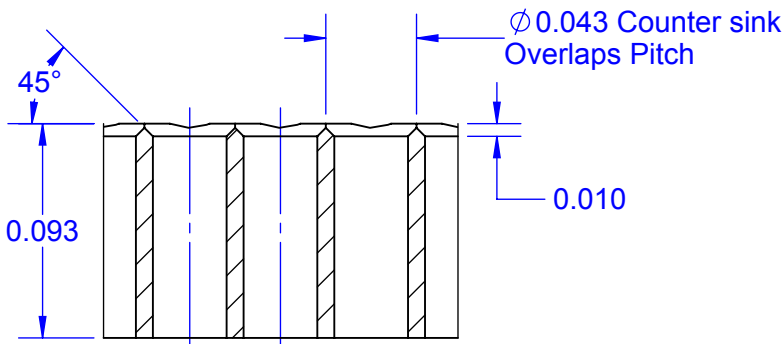
A
B
C
D
E
F
G
H
J
K
L
M
N
P
R
T
U
V
W
Y
AA
AB
AC
AD
AE
AF
AG
AH
AJ
AK
AL
AM
AN
AP
AR
AT
AU
AV
AW
AY
BA

1.673in
[42.5mm]

Ø0.032 POS 1681

R0.125
4 POS

DETAIL A

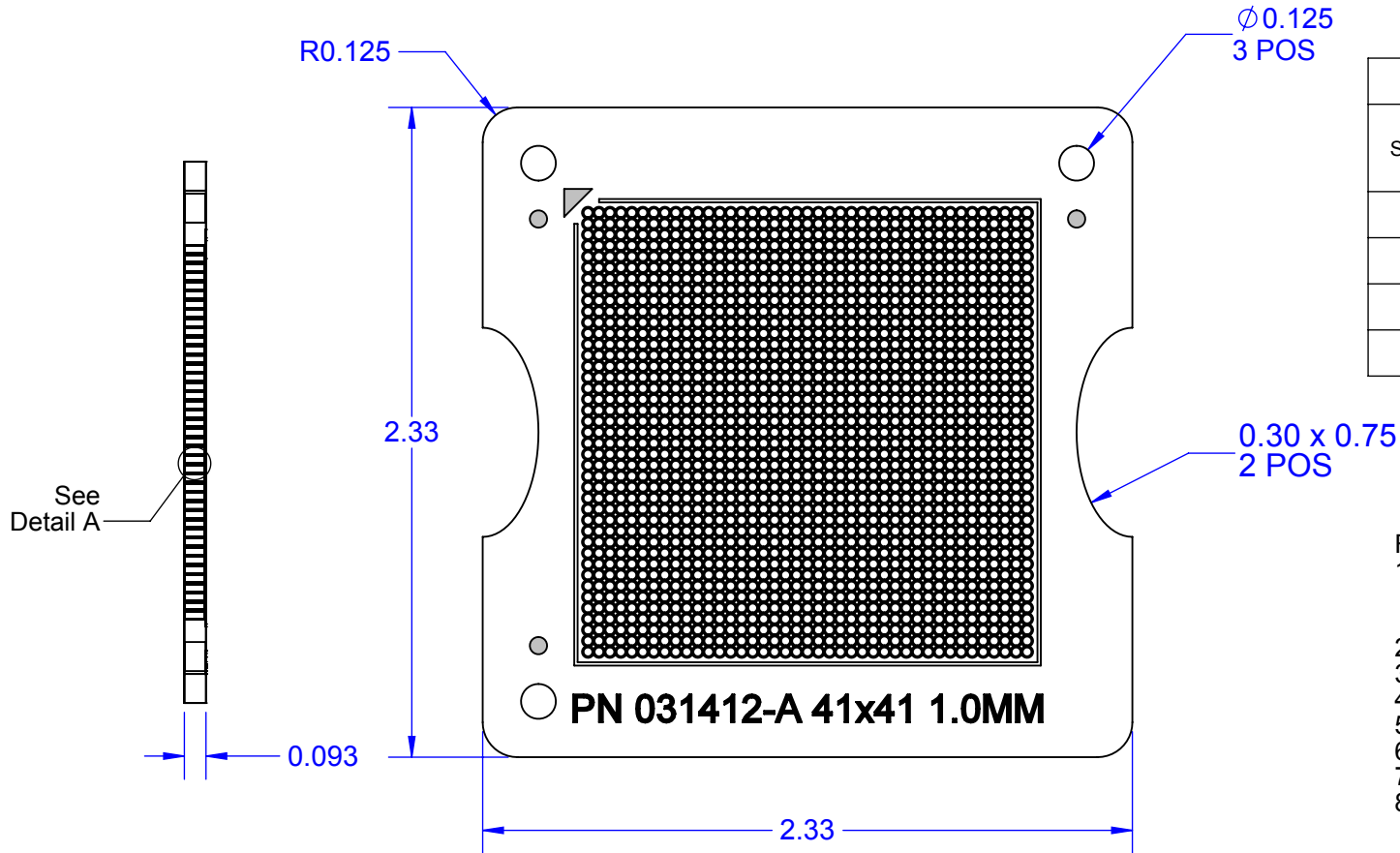


PITCH: 0.03937 [1.0mm] Ø0.032 1681 POS

- NOTES:**
1. DIMENSIONS IN INCH UNLESS OTHERWISE STATED.
 2. MATERIAL: FR4 COLOR BLACK.
 3. LEGEND: WHITE INK.
 4. PIN REFERENCE DESIGNATORS NOT MARKED ON PCB

APPROVALS	DATE	TopLine®			
DRAWN T. Au	07/21/15				
ENG M. Hart	07/21/15	TITLE CCGA1657 TRAY INSERT 2.33" SQ			
MFG		SCALE	SIZE	DRAWING NO.	REV
QA		3:2	A	031412	A
CUST		DO NOT SCALE DRAWING			SHEET 1 OF 3
REVISED					

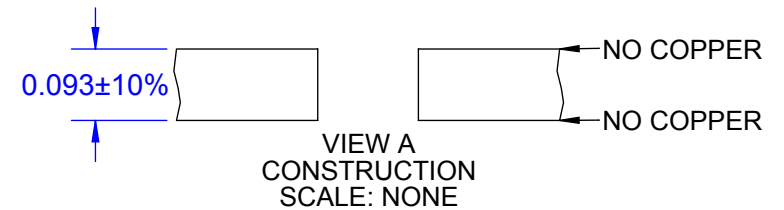
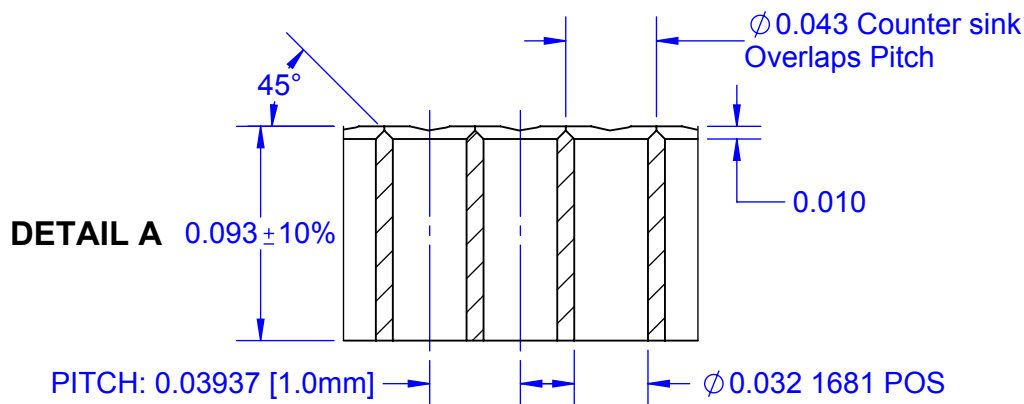
FAB DRILL AND PLATED THROUGH HOLES



HOLE CHART			
SYMBOL	DIAMETER UNPLATED THRU	COUNTER SINK	QTY PCB
+	0.032 ± 0.003	-	1681
○	-	0.043 ± 0.003	1681
○	$\phi 0.125$		3
TOTAL			3365

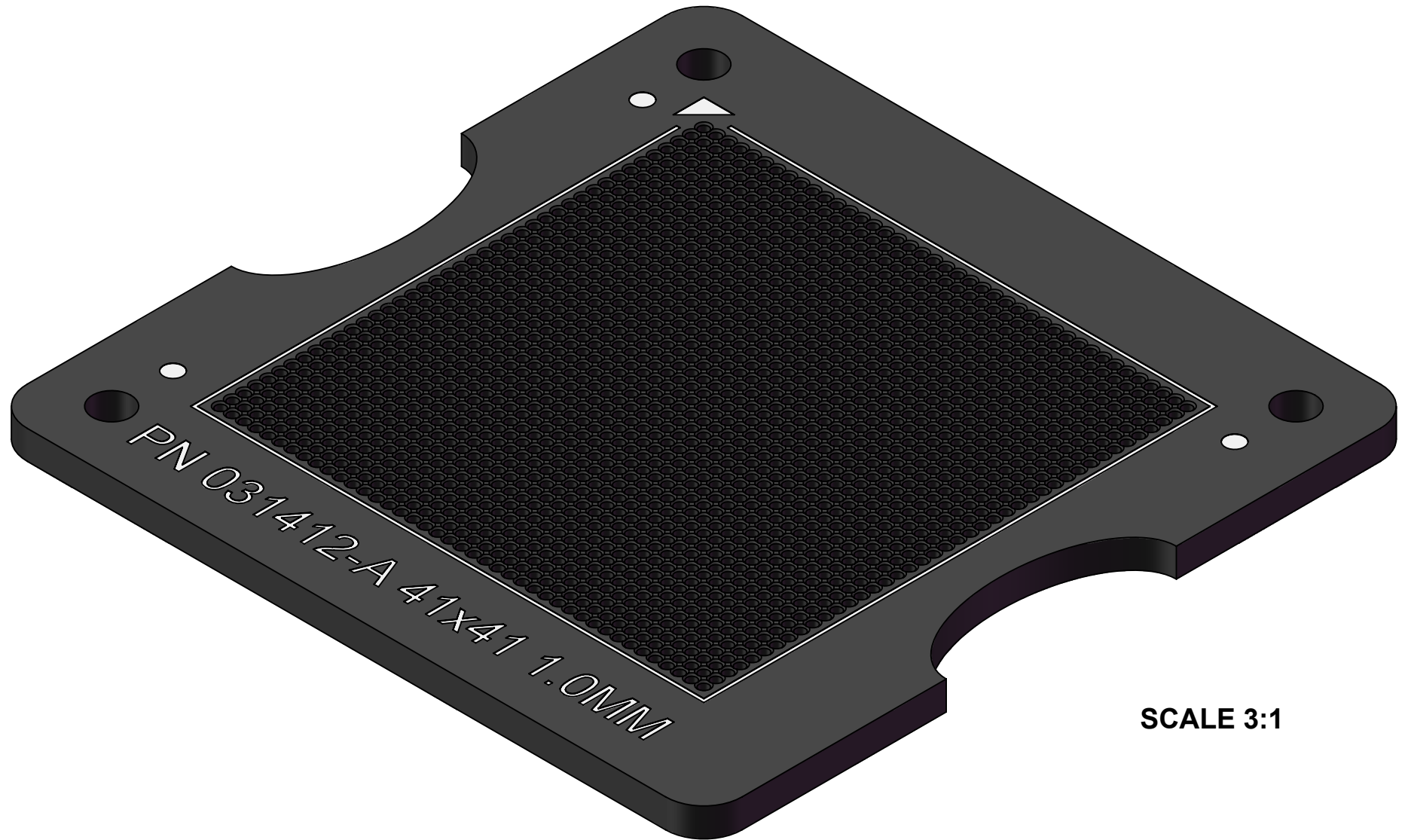
FAB NOTES:

- MATERIAL:
 A. NO COPPER (0/0).
 B. G10 BLACK COLOR.
- REFER TO DETAIL A COUNTER SINK.
- REFER TO VIEW A FOR STACK UP.
- NO PTH HOLES.
- NO SOLDER MASK.
- NO PCB MFRG LOGO ALLOWED.
- SILKSCREEN WHITE INK.
- FULLY ROUTE EACH BOARD.



TopLine®			
TITLE CCGA1657 TRAY INSERT 2.33" SQ			
SCALE 1.25:1	SIZE A	DRAWING NO. 031412	REV A
DO NOT SCALE DRAWING		SHEET 2 OF 3	

MODEL



SCALE 3:1

TopLine[®]			
TITLE		CCGA1657 TRAY INSERT 2.33" SQ	
SCALE	SIZE	DRAWING NO.	REV
3:1	A	031412	A
DO NOT SCALE DRAWING			SHEET 3 OF 3