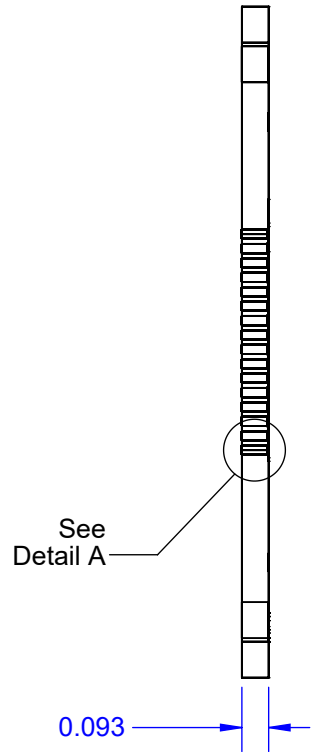
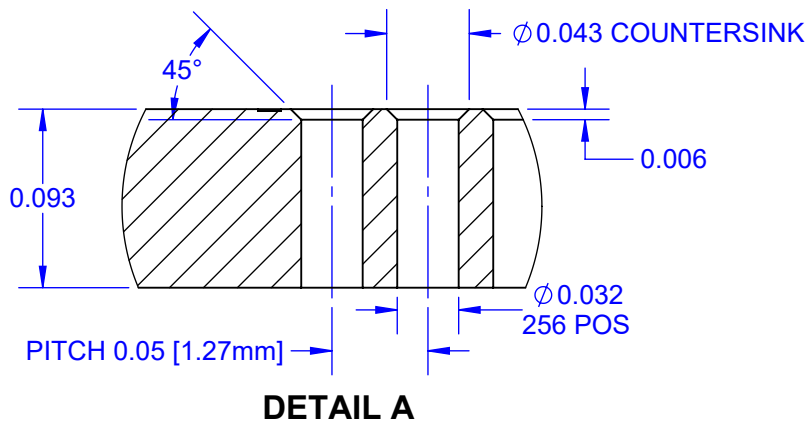
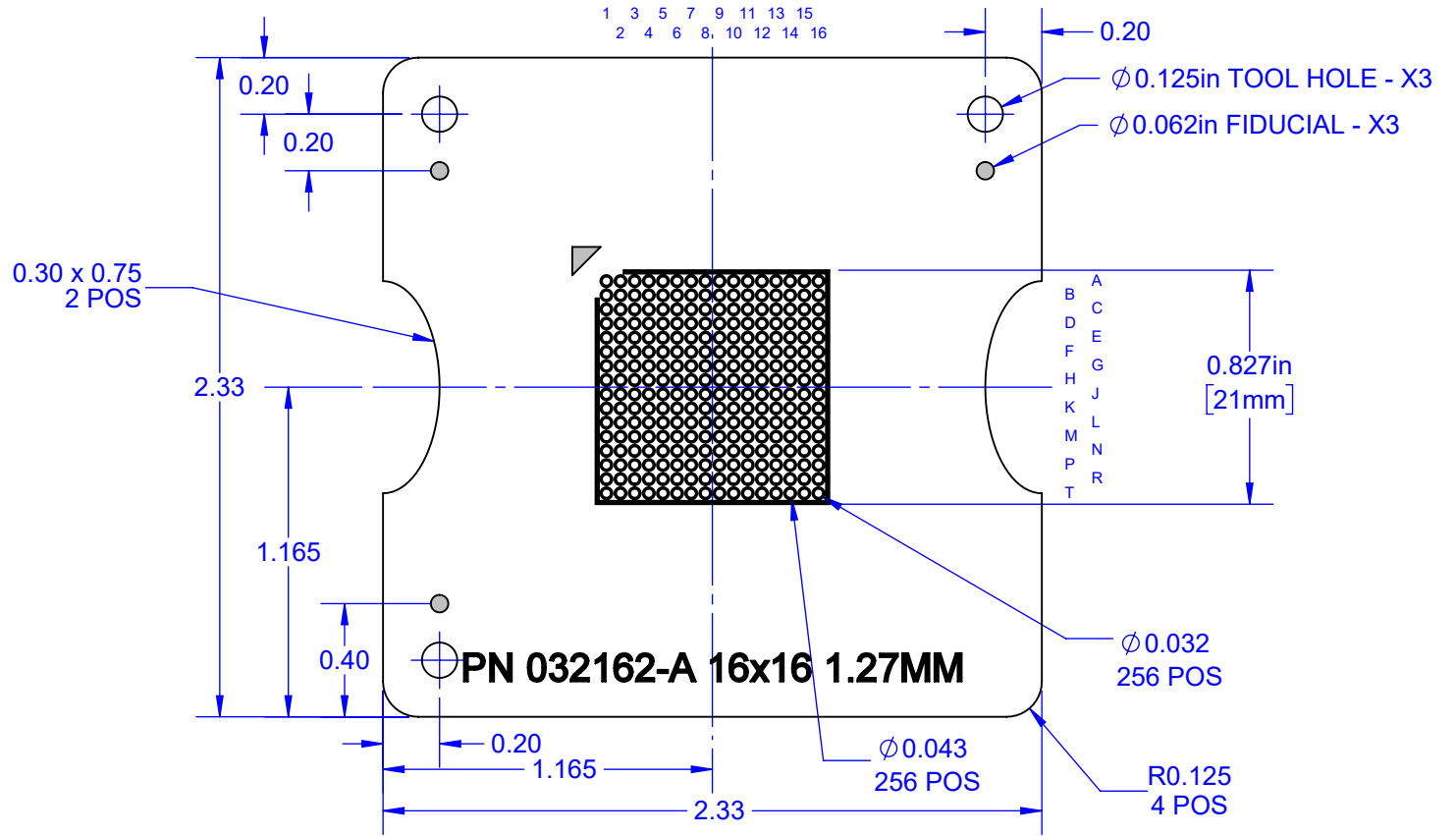


# SIDE VIEW



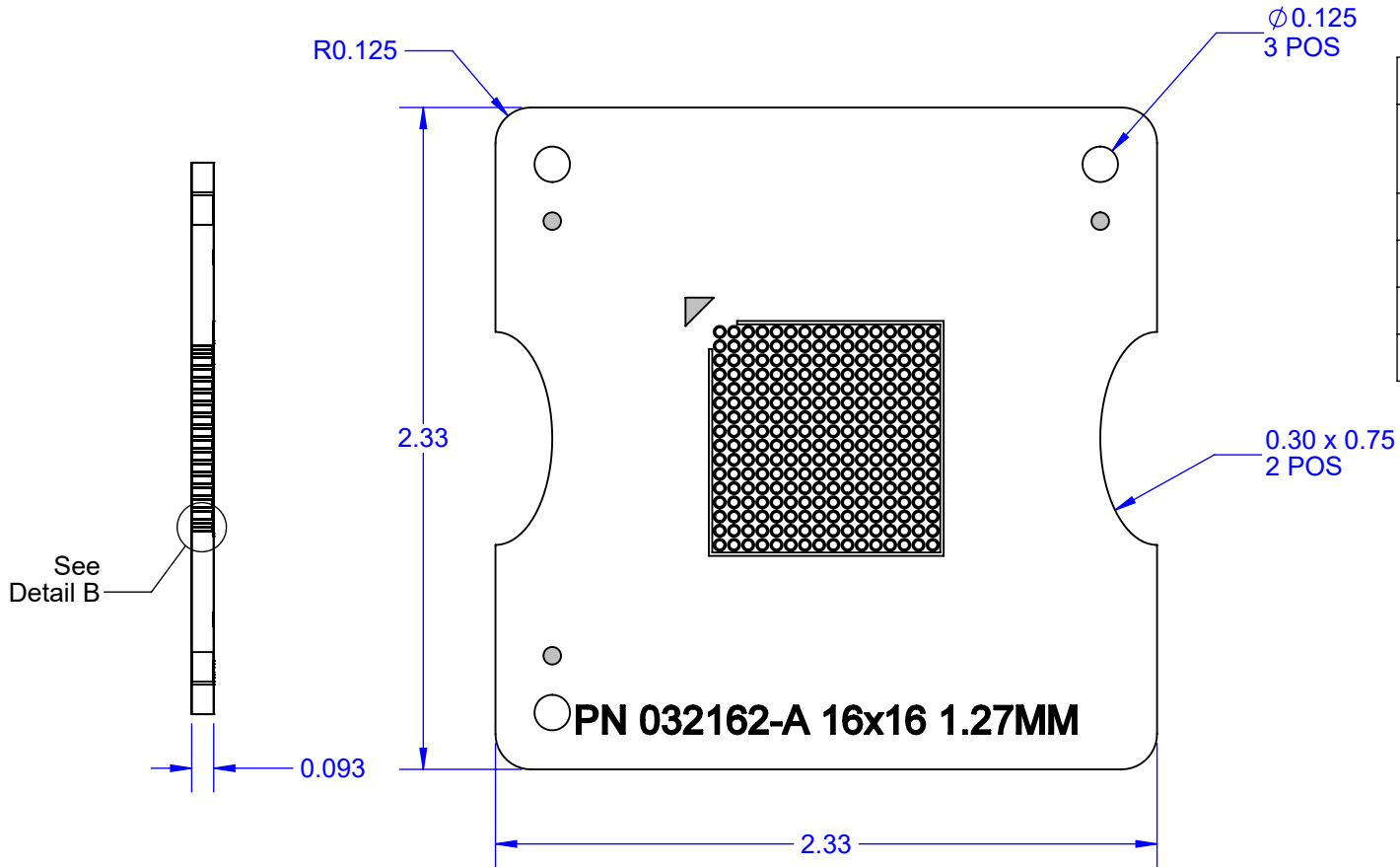
# TOP VIEW



- NOTES:**
1. DIMENSIONS IN INCH UNLESS OTHERWISE STATED.
  2. MATERIAL: FR4 COLOR BLACK.
  3. LEGEND: WHITE INK.
  4. PIN REFERENCE DESIGNATORS NOT MARKED ON PCB

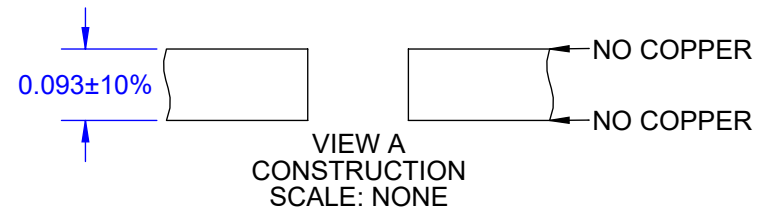
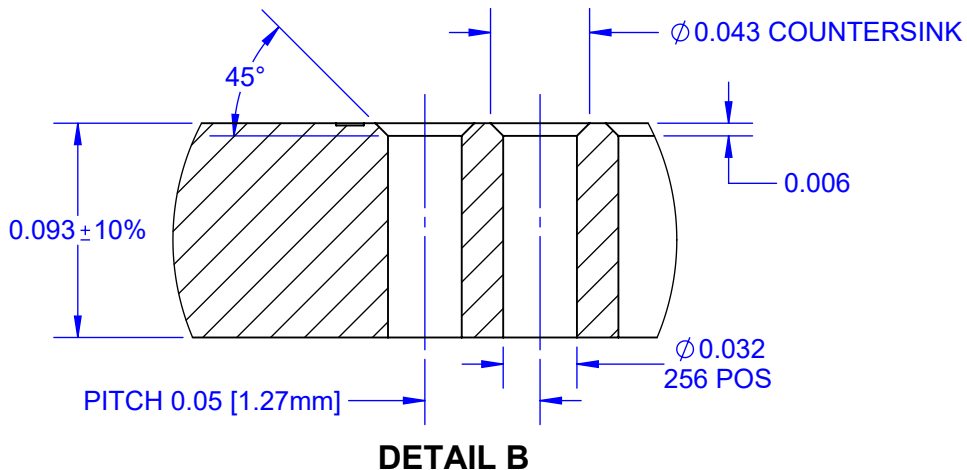
APPROVALS	DATE	<b>TopLine®</b>		
DRAWN T.Au	11/05/17			
ENG M. Hart	11/05/17	TITLE CCGA256 TRAY INSERT 2.33" SQ		
MFG		SCALE	SIZE	DRAWING NO.
QA		3:2	A	032162
CUST				REV A
REVISED		DO NOT SCALE DRAWING		SHEET 1 OF 3

# FAB DRILL AND PLATED THROUGH HOLES



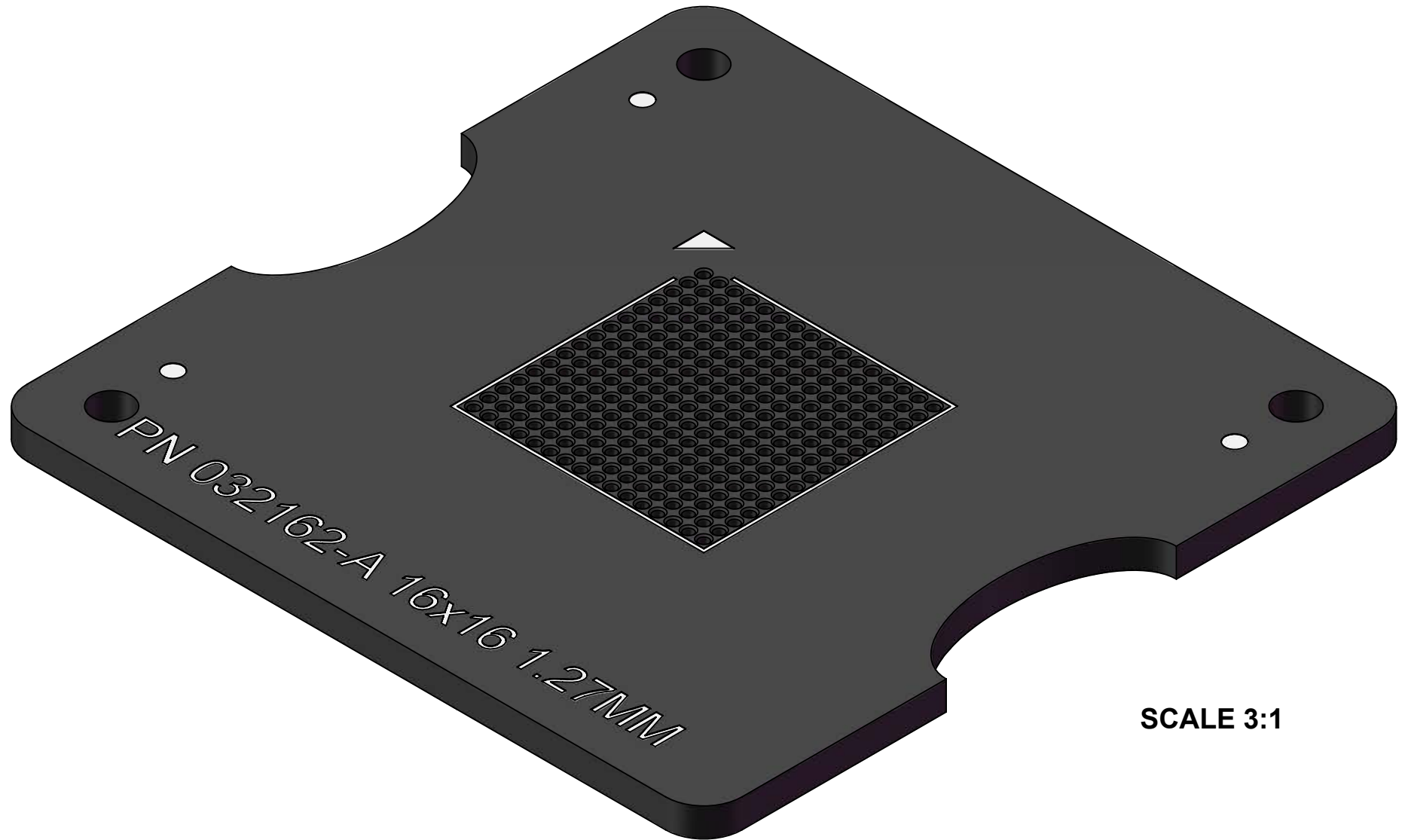
HOLE CHART			
SYMBOL	DIAMETER UNPLATED THRU	COUNTER SINK	QTY PCB
+	0.032±0.003	-	256
○	-	0.043±0.003	256
○	Ø0.125		3
TOTAL			515

- FAB NOTES:**
- MATERIAL:  
 A. NO COPPER (0/0).  
 B. G10 BLACK COLOR.
  - REFER TO DETAIL A COUNTER SINK.
  - REFER TO VIEW A FOR STACK UP.
  - NO PTH HOLES.
  - NO SOLDER MASK.
  - NO PCB MFGR LOGO ALLOWED.
  - SILKSCREEN WHITE INK.
  - FULLY ROUTE EACH BOARD.



<b>TopLine®</b>			
TITLE CCGA256 TRAY INSERT 2.33" SQ			
SCALE 1.25:1	SIZE A	DRAWING NO. 032162	REV A
DO NOT SCALE DRAWING		SHEET 2 OF 3	

MODEL



SCALE 3:1

<b>TopLine<sup>®</sup></b>			
TITLE		CCGA256 TRAY INSERT 2.33" SQ	
SCALE	SIZE	DRAWING NO.	REV
3:1	A	032162	A
DO NOT SCALE DRAWING			SHEET 3 OF 3