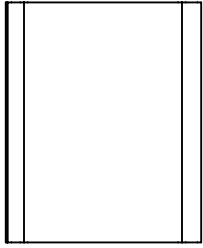
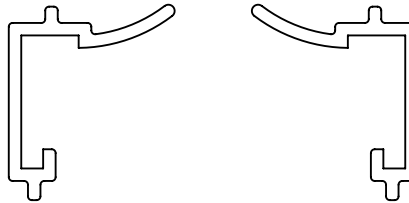
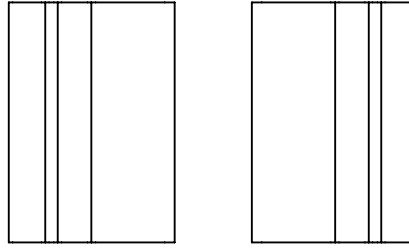


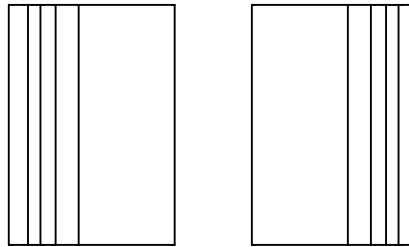
EDGE



TOP

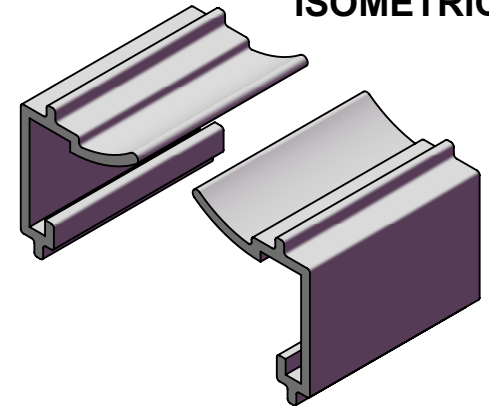


SIDE




BOTTOM

ISOMETRIC

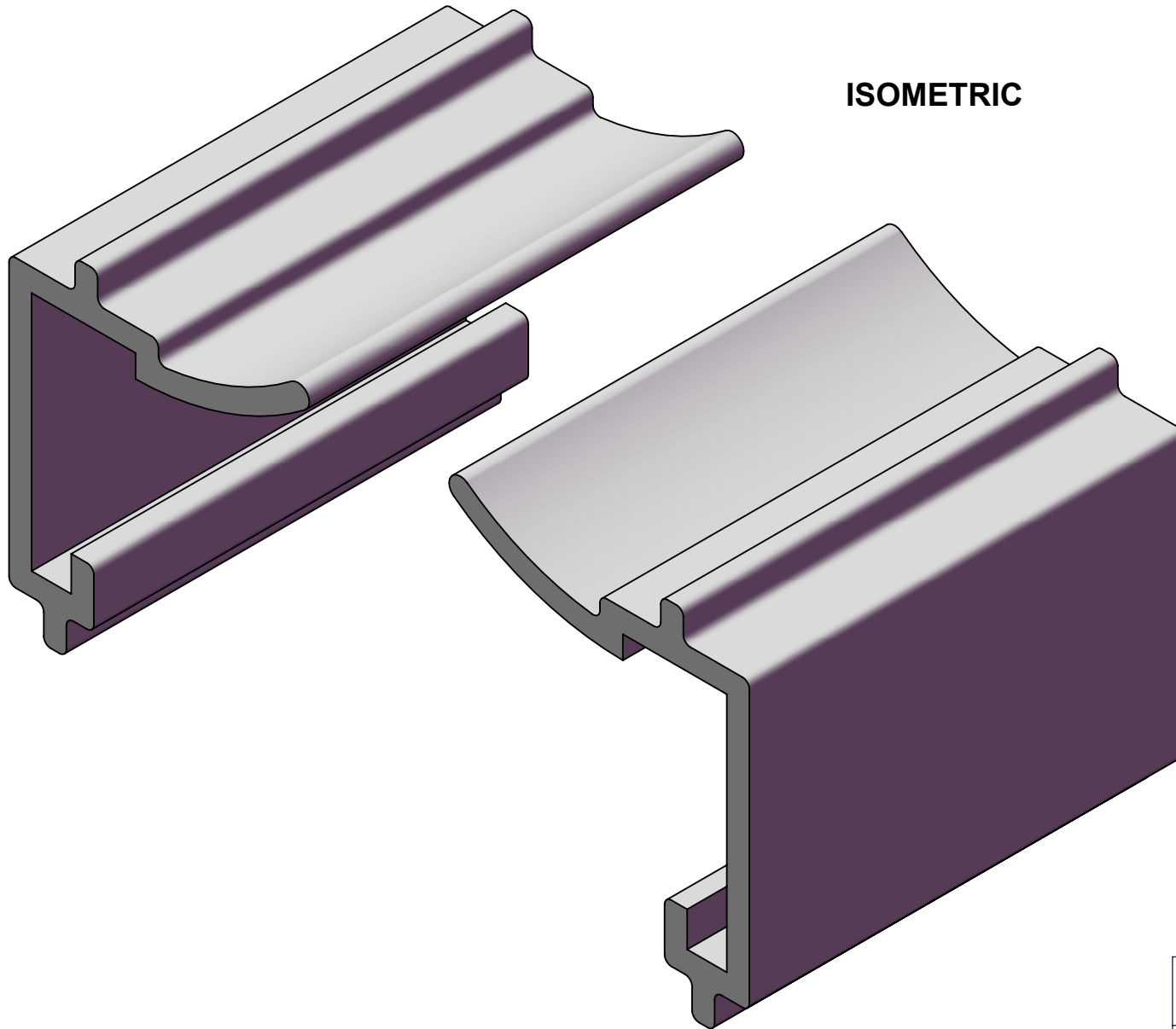


PART NUMBER			
DRAWING #	PART #	MATERIAL	COLOR
644105	WP4-CLIP5E	PLASTIC	GREY

Notes: (Unless Otherwise Specified).
 1) MATERIAL: PLASTIC.
 2) DIMENSION: INCH.

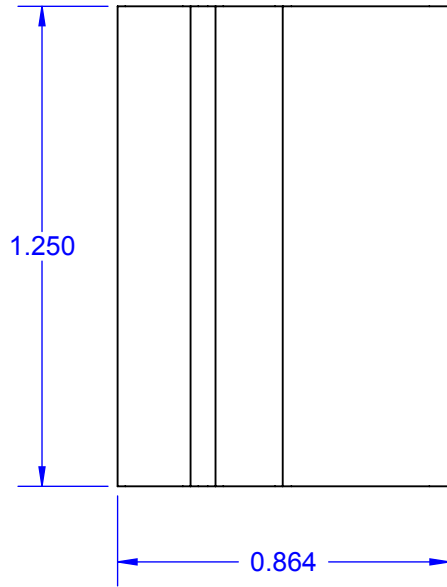
APPROVALS	DATE				
DRAWN T.Au	06/22/14				
ENG M. Hart	06/22/14	TITLE WP4-CLIP5E - CLIP FIVE TRAY + COVER			
MFG					
QA		SCALE 1:1	SIZE A	DRAWING NO. 644105	REV A
CUST		DO NOT SCALE DRAWING			SHEET 1 OF 4
REVISED					

ISOMETRIC

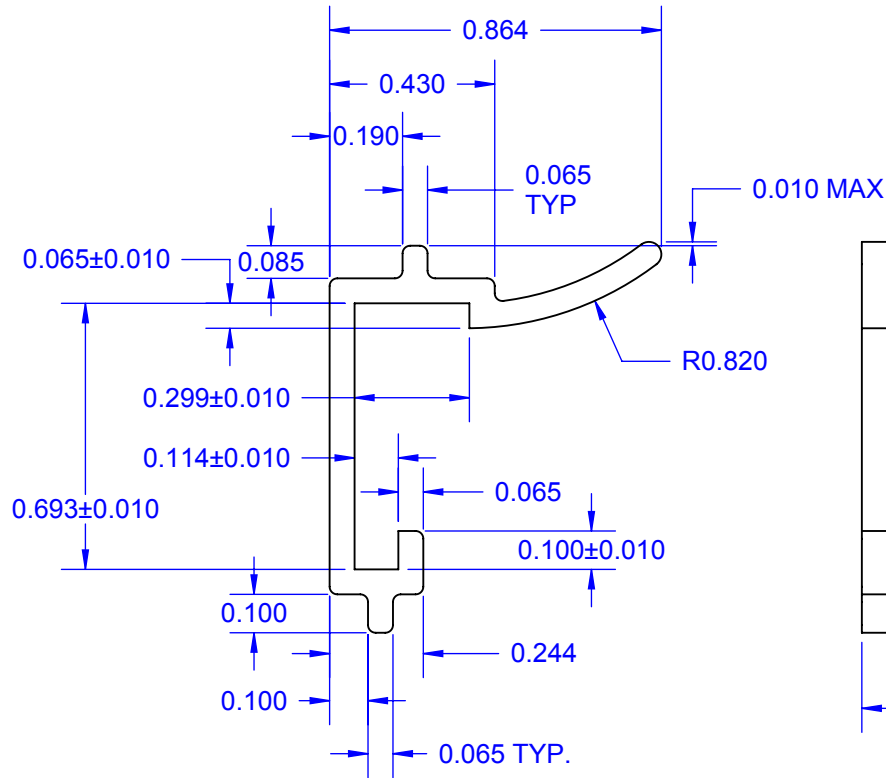


TopLine[®]			
TITLE		WP4-CLIP5E - CLIP FIVE TRAY + COVER	
SCALE	SIZE	DRAWING NO.	REV
4:1	A	644105	A
DO NOT SCALE DRAWING			SHEET 2 OF 4

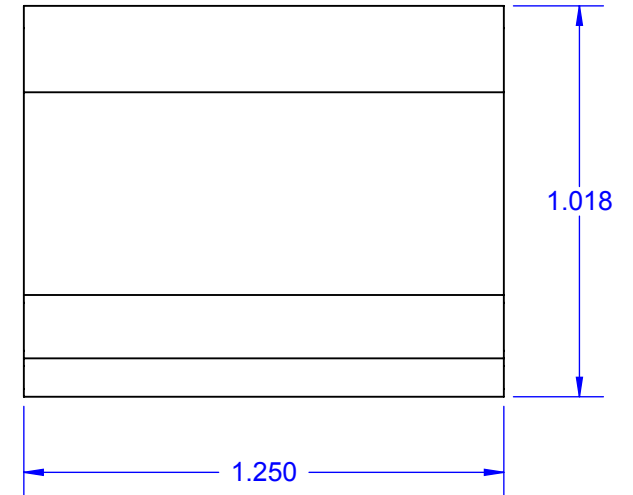
TOP VIEW



LEFT EDGE VIEW

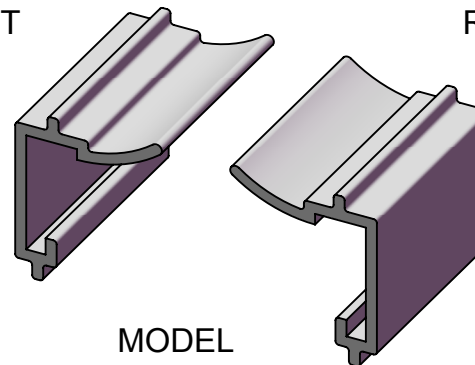


INSIDE VIEW



LEFT

RIGHT



MODEL

- NOTES:
 1. MATERIAL 5055 PVC GREY (NONE ESD).
 2. DIMENSION in INCHES

TopLine[®]

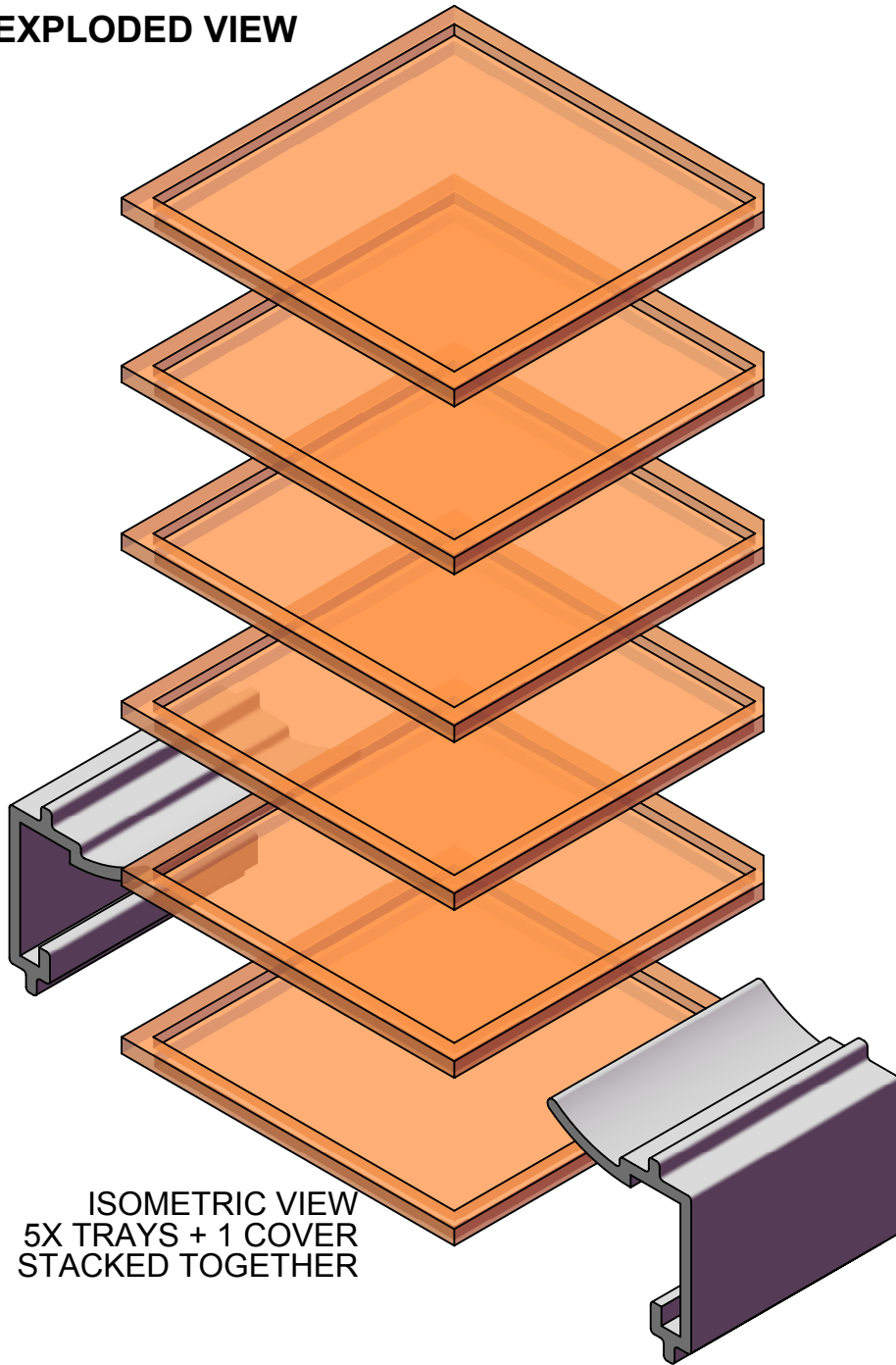
TITLE WP4-CLIP5E - CLIP FIVE TRAY + COVER

SCALE 2:1	SIZE A	DRAWING NO. 644105	REV A
--------------	-----------	-----------------------	----------

DO NOT SCALE DRAWING

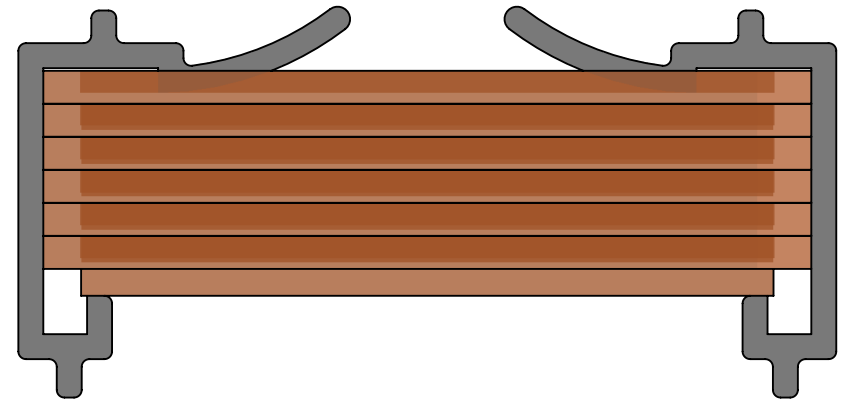
SHEET 3 OF 4

EXPLODED VIEW



**ISOMETRIC VIEW
5X TRAYS + 1 COVER
STACKED TOGETHER**

**EDGE VIEW
NESTED 5X PIN-PACKS
STACKED TOGETHER**



TopLine®			
TITLE		WP4-CLIP5E - CLIP FIVE TRAY + COVER	
SCALE	SIZE	DRAWING NO.	REV
2:1	A	644105	A
DO NOT SCALE DRAWING			SHEET 4 OF 4