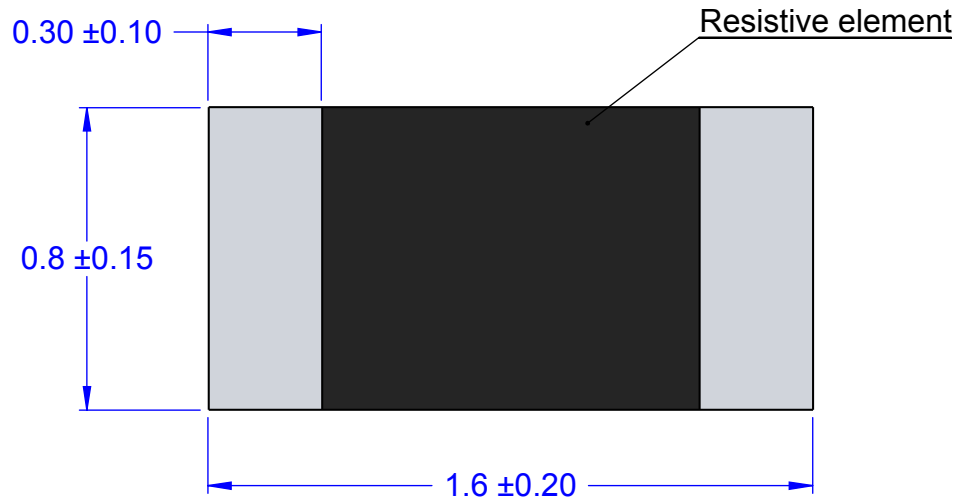
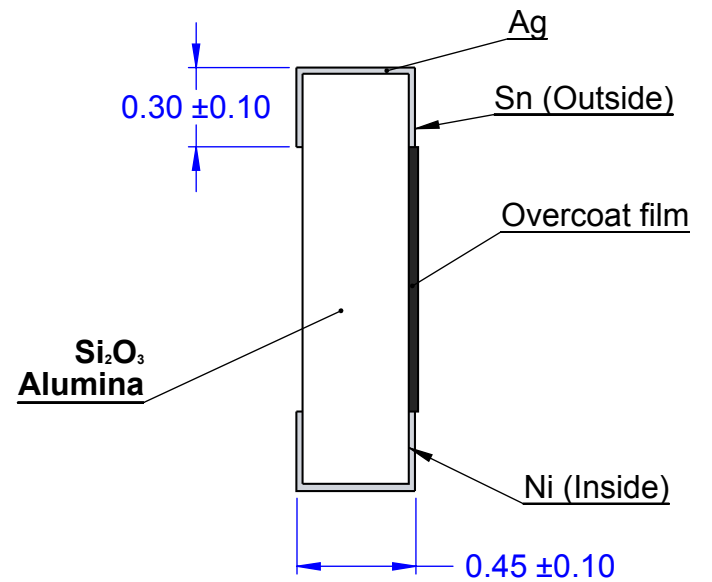


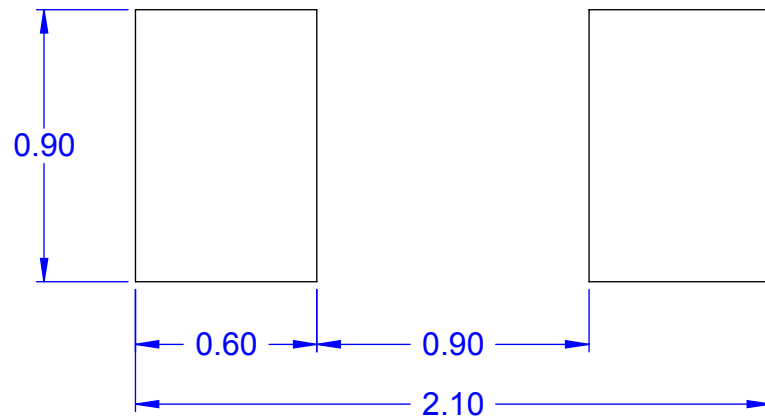
## TOP VIEW



## STRUCTURE

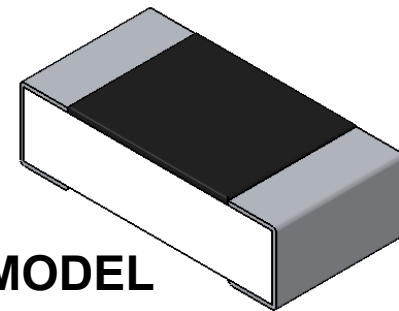


## RECOMMENDED PCB PATTERN



### NOTES:

1. DIMENSIONS IN mm.
2. TERMINATION: Tin (Sn).
3. Pb-FREE AND HALOGEN FREE.

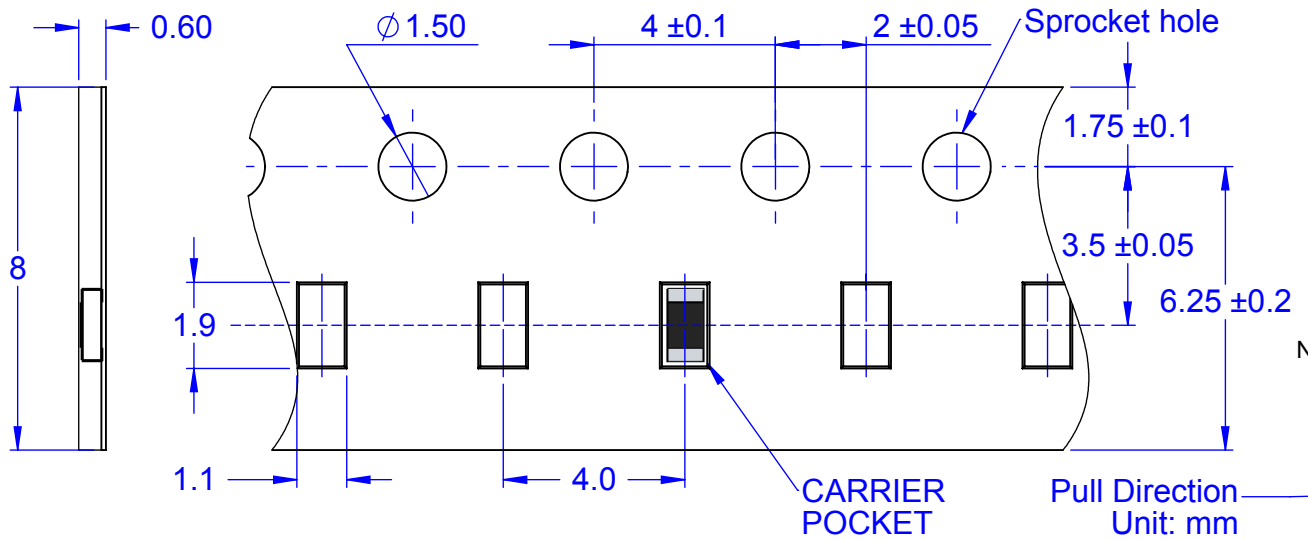


## MODEL

PCB DIMENSIONS ARE PRESENTED ONLY AS A GUIDELINE.  
DESIGNERS SHOULD USE THEIR OWN KNOWLEDGE BASE WHEN  
DESIGNING THE PCB.

APPROVALS	DATE	<b>TopLine®</b>			
DRAWN T. Au	08/03/12				
ENG M. Hart	08/03/12	TITLE SR0603 SMT RESISTOR			
MFG		SCALE	SIZE A	DRAWING NO. 120601	REV A
QA					
CUST		DO NOT SCALE DRAWING			SHEET 1 OF 2
REVISED					

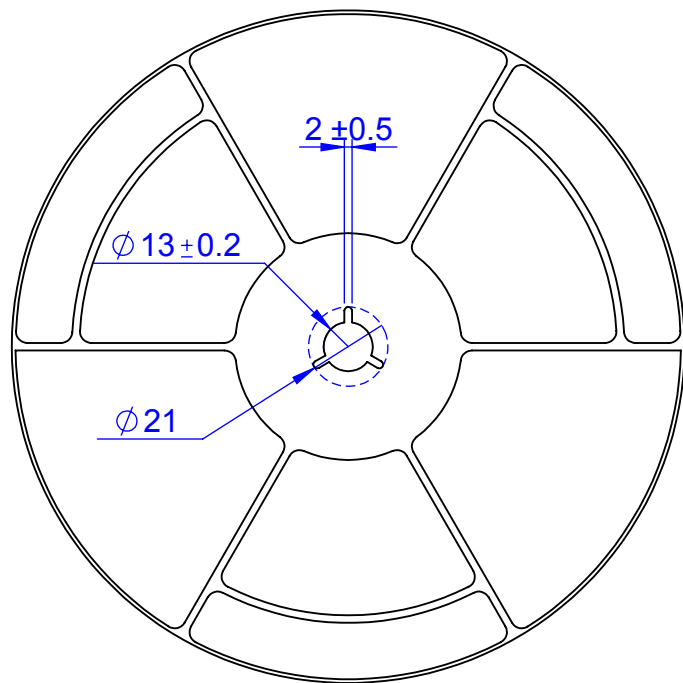
# W8P4 CARRIER TAPE DIMENSION



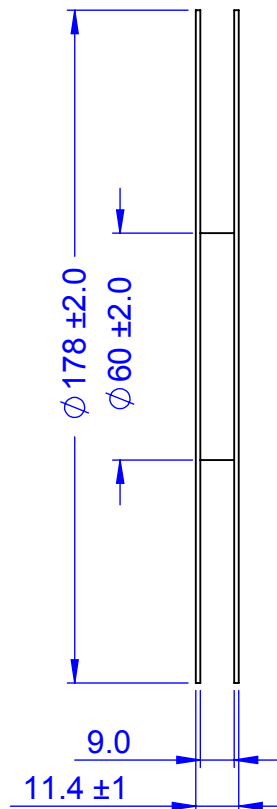
## PART NUMBER SYSTEM

SR 0603 P7A - ZERO - TIN  
 RESISTOR PACK CODE < 50mΩ  
 SIZE CODE 1.6 x 0.8mm TERMINATION Sn (TIN)

NOTE: For dummy resistor replace ZERO with blank



## REEL DIMENSIONS



PACK CODE		
CODE	QTY	PACKAGE
P7A	5,000	REEL
P4A	1,000	REEL

APPROVALS	DATE				
DRAWN T. Au	08/03/12	TITLE SR0603 SMT RESISTOR			
ENG M. Hart	08/03/12	SCALE	SIZE A	DRAWING NO. 120601	REV A
MFG					
QA					
CUST					
REVISED		DO NOT SCALE DRAWING			SHEET 2 OF 2