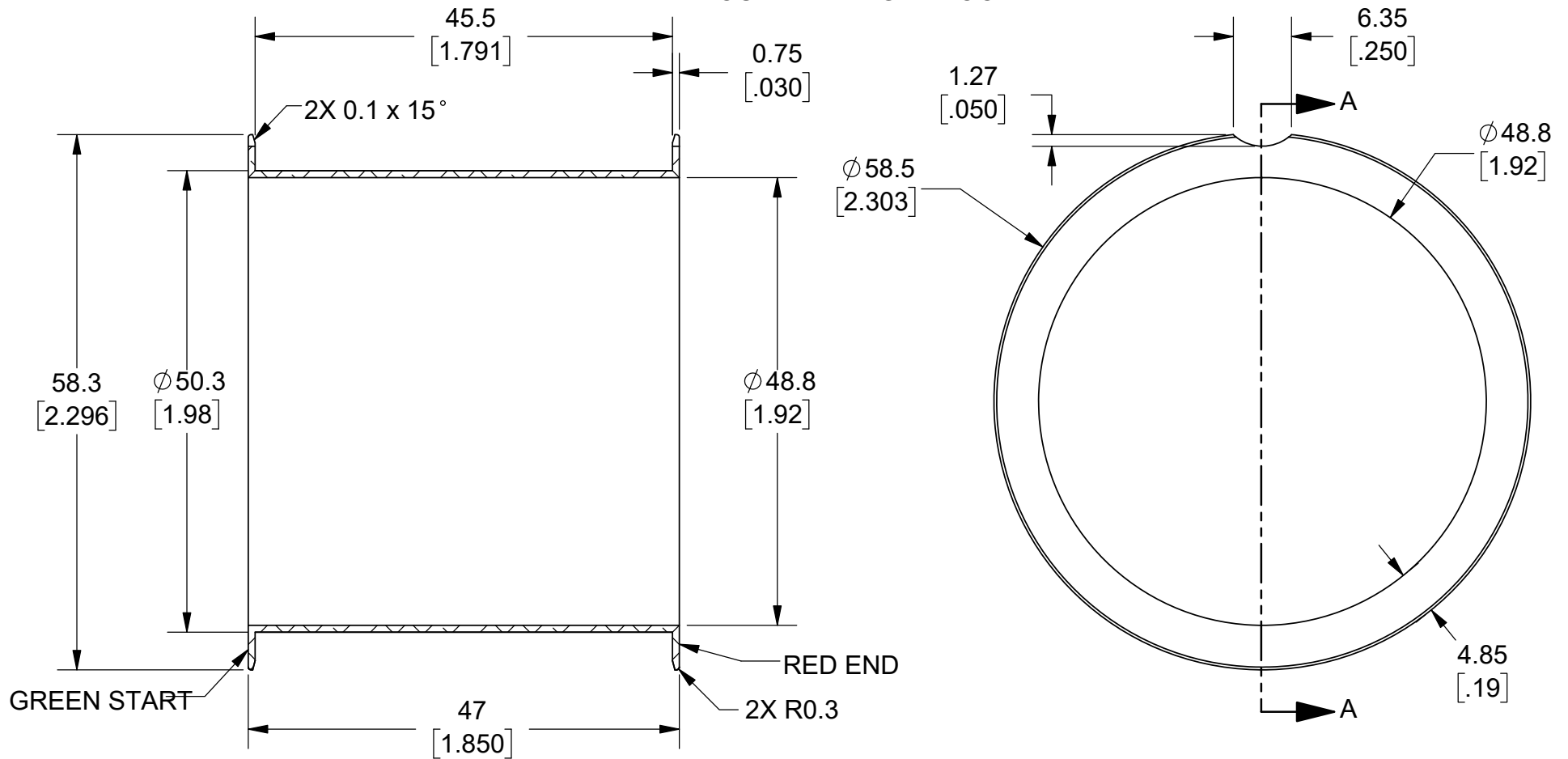
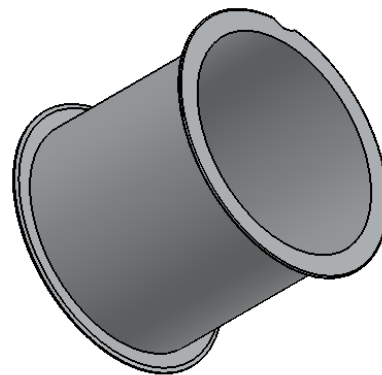


2-INCH SPOOL (2" L)
DOUBLE FLANGE SPOOL




SECTION A-A

MODEL



NOTES: (UNLESS OTHERWISE SPECIFIED).

- 1) DIMENSIONS: MM [INCH].
- 2) MATERIAL: ALUMINUM.
- 3) DEBURR (BREAK ALL EDGES).
- 4) FINISH: MATTE, ANODIZED.
- 5) SPOOL DIMENSIONS PER ASTM F72/J.

APPROVALS		DATE									
DRAWN	J. Hines	12/29/2016					TITLE		2-INCH SPOOL (2" L) AL-4 DOUBLE FLANGE		
ENG	M. Hart	12/29/2016	SCALE		1.5:1	SIZE	A	DRAWING NO.	400108	REV	A
MFG			DO NOT SCALE DRAWING		SHEET 1		OF 1				