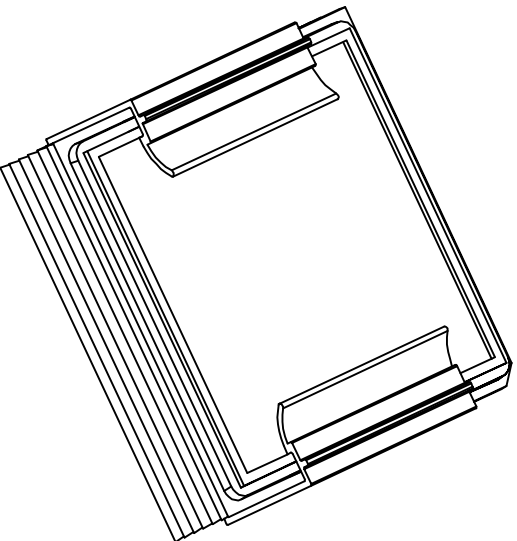
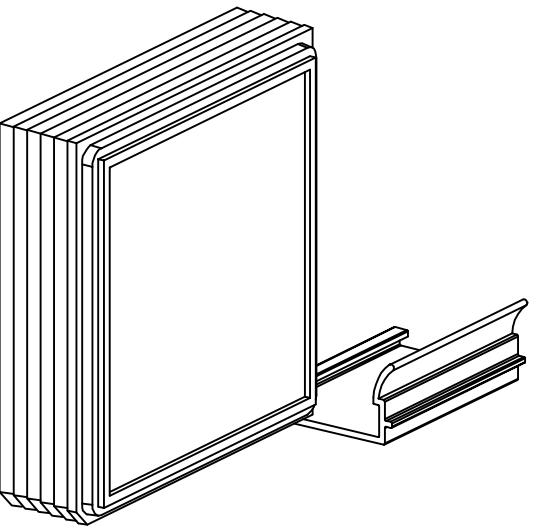
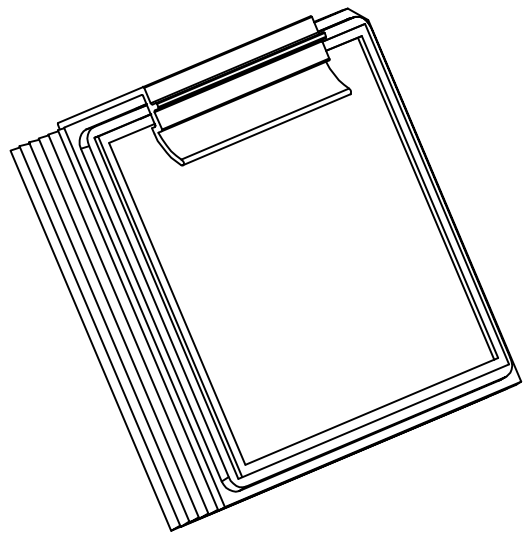
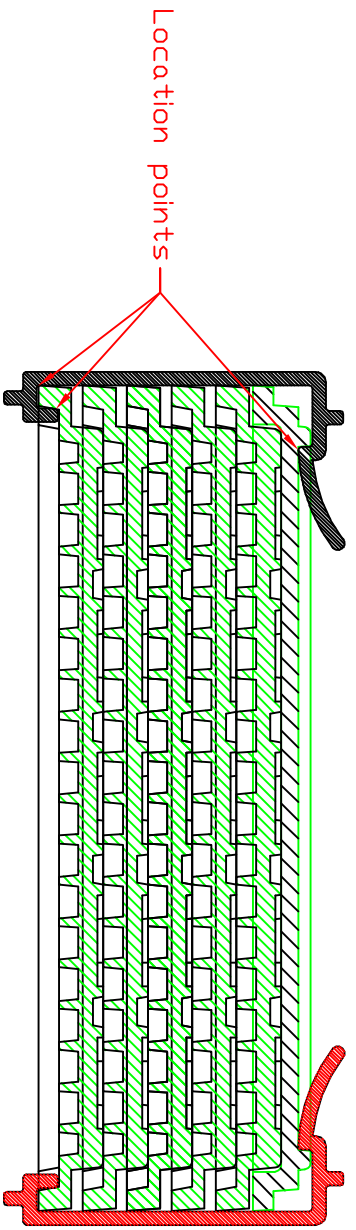


NOTES: UNLESS OTHERWISE SPECIFIED.

1. KEY IN THE .250 DIMENSION, AREA ONLY.
2. MATERIAL 5055 PVC GREY (NONE ESPD).

UNLESS OTHERWISE SPECIFIED, DIMENSIONS ARE IN INCHES		DRAWN		DATE	
THIRD ANGLE PROJECTION		ENGINEERED		DATE	
TOLERANCES: DECIMALS	FRACTIONS	ANGLES	PROJECT NO.	DATE	TITLE
.XXX = .005		45°			5 PLUS 1 CLIP, WAFFLE PACK
SHEET 1 OF 1			SIZE	SCALE	DRAWING NO.
DO NOT SCALE THIS DRAWING			C	1 : 2	
					REV
					4



A

B

C

D

8

7

6

5

4

3

2

1

A

B

C

D

UNLESS OTHERWISE SPECIFIED,
DIMENSIONS ARE IN INCHES

THIRD ANGLE PROJECTION



TOLERANCES:
DECIMALS FRACTIONS ANGLES

.XX = ±.020
.XXX = ±.010

±.5°

DRAWN _____ DATE _____

ENGINEERED _____ DATE _____

APPROVED _____ DATE _____

PROJECT NO. _____

SCALE 1:2

SHEET 1 OF 1

DO NOT SCALE THIS DRAWING

TITLE

5 PLUS 1 CLIP, WAFFLE PACK

DRAWING NO.

REV 5

8

7

6

5

4

3

2

1





