

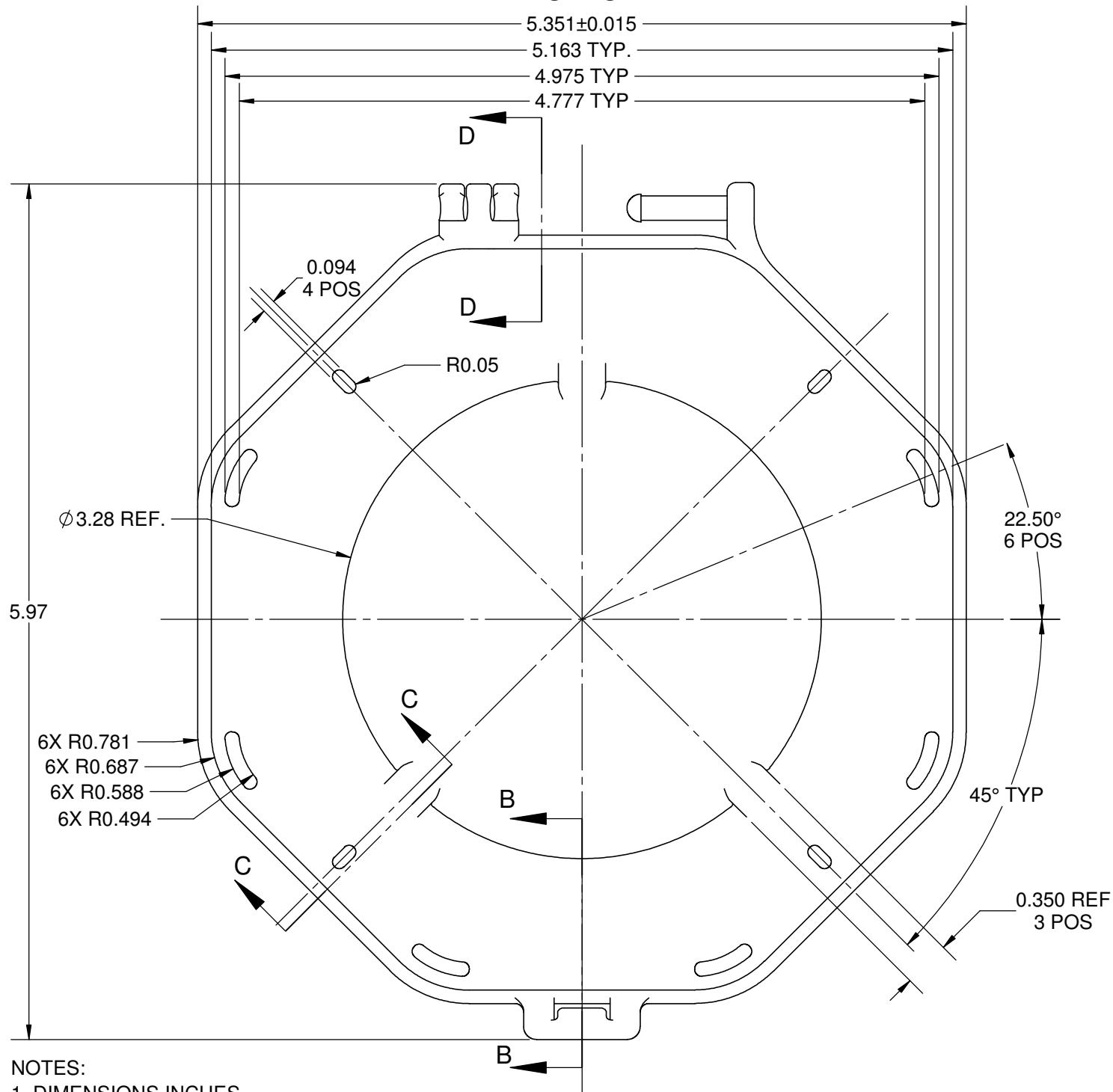
SECTION A-A
SCALE 1 : 1.5

NOTES:

1. DIMENSIONS INCHES.
2. MATERIAL: CLEAR POLYCARBONATE.
3. INSERTED CUSHION: FOUR.
4. H93-50-101-1116.
5. WAFER FACE DOWN HELD BY WAFER'S EDGE.

APPROVALS	DATE	TopLine®			
DRAWN T. Au	5/4/2018				
ENG M. Hart	5/4/2018	TITLE 125mm WAFER CLAM SHELL SINGLE WAFER SHIPPER			
MFG		SCALE	SIZE	DRAWING NO.	REV
QA		2:3	A	009350	A
CUST		DO NOT SCALE DRAWING			SHEET 1 OF 5
REVISED					

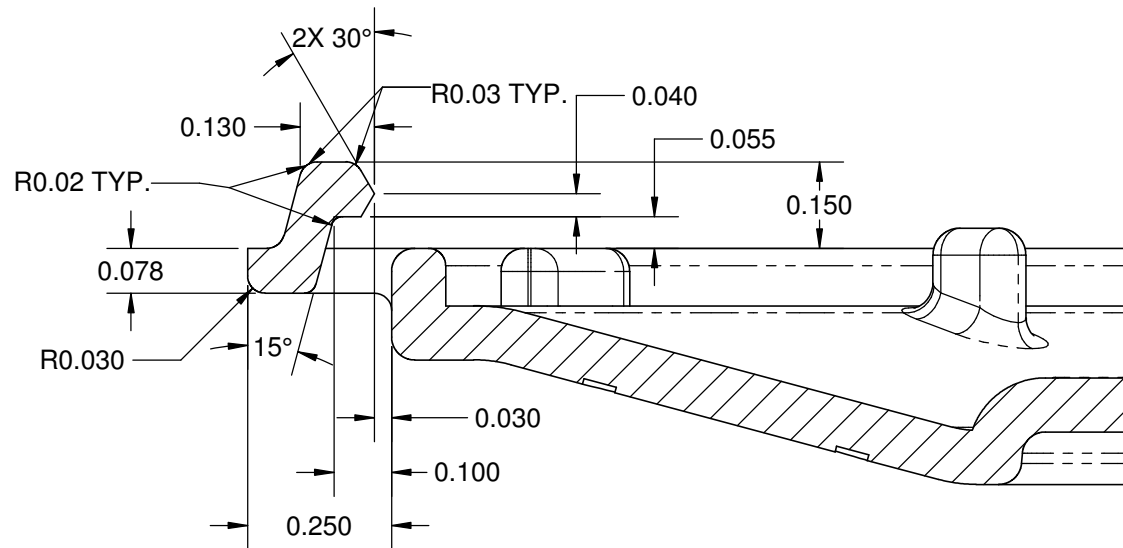
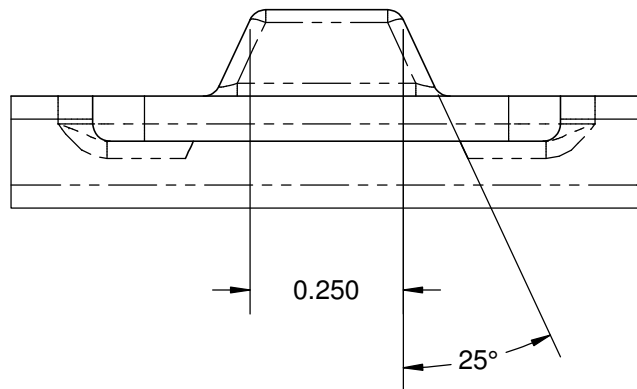
BOTTOM



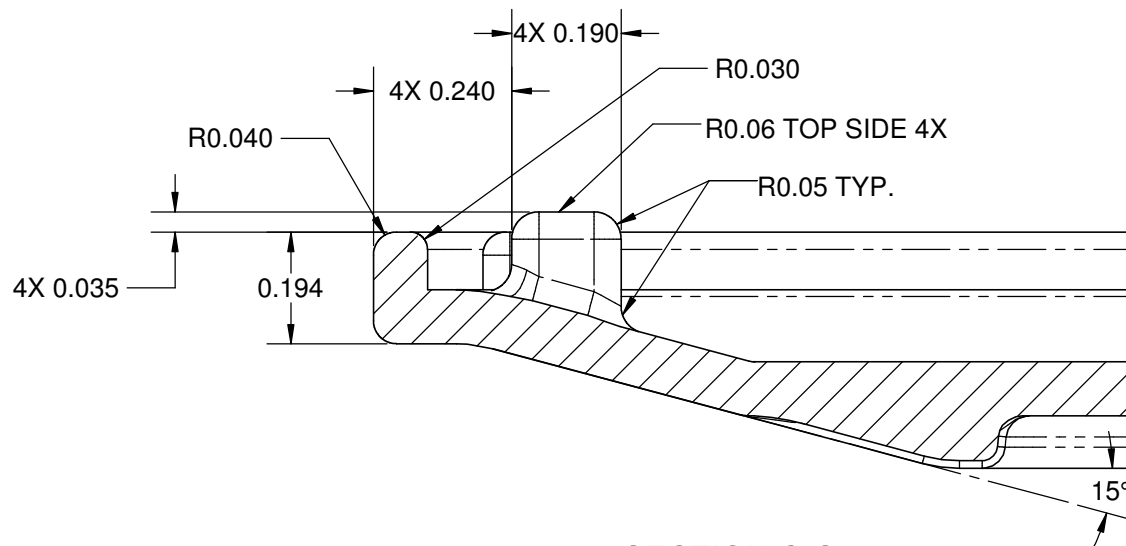
NOTES:
1. DIMENSIONS INCHES.

TopLine®			
TITLE 125mm WAFER CLAM SHELL SINGLE WAFER SHIPPER			
SCALE 1:1	SIZE A	DRAWING NO. 009350	REV A
DO NOT SCALE DRAWING			SHEET 2 OF 5

FRONT VIEW



**SECTION B-B
SCALE 3 : 1
ROTATED 90°**



**SECTION C-C
SCALE 3 : 1**

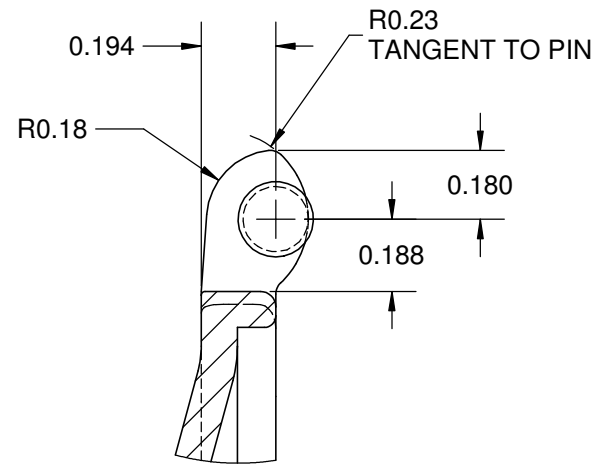
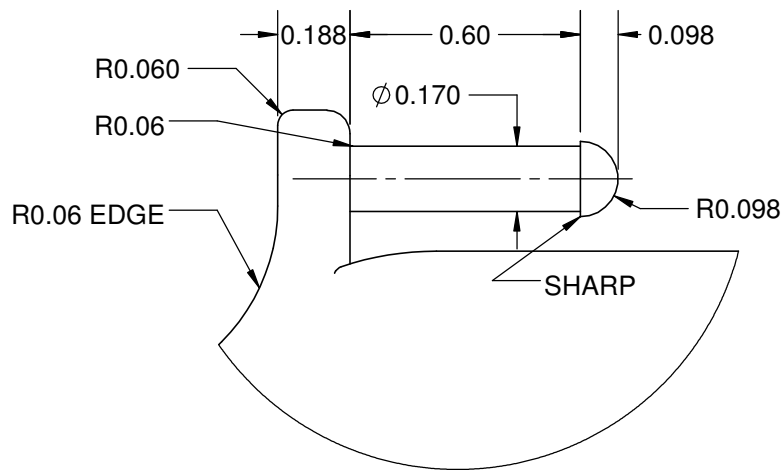
TopLine®

TITLE 125mm WAFER CLAM SHELL
SINGLE WAFER SHIPPER

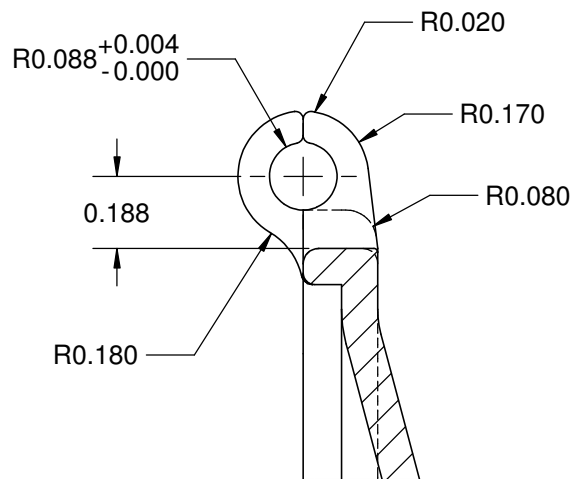
SCALE	SIZE	DRAWING NO.	REV
3:1	A	009350	A

DO NOT SCALE DRAWING

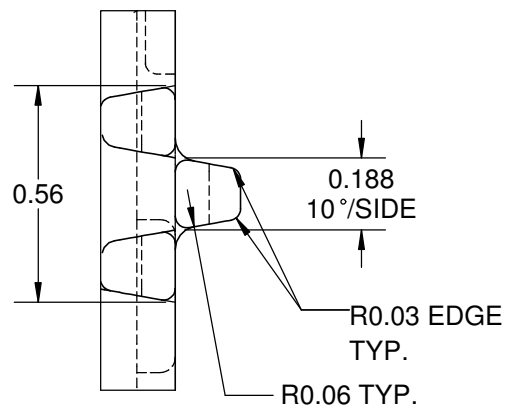
SHEET 3 OF 5



DETAIL E
SCALE 2 : 1

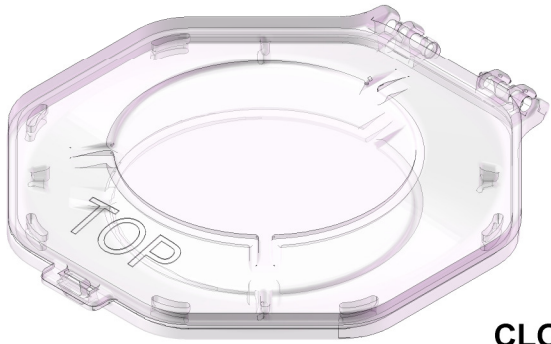


SECTION D-D
SCALE 2 : 1

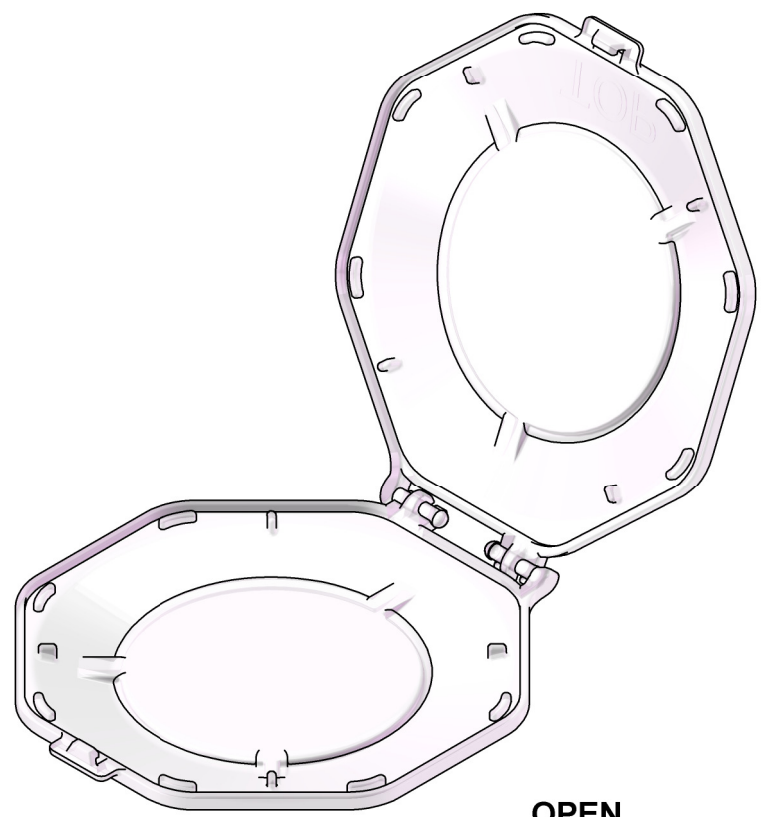


TopLine®			
TITLE 125mm WAFER CLAM SHELL SINGLE WAFER SHIPPER			
SCALE 2:1	SIZE A	DRAWING NO. 009350	REV A
DO NOT SCALE DRAWING			SHEET 4 OF 5

MODELS



CLOSED



OPEN



TOP

TopLine®			
TITLE 125mm WAFER CLAM SHELL SINGLE WAFER SHIPPER			
SCALE 1:2	SIZE A	DRAWING NO. 009350	REV A
DO NOT SCALE DRAWING			SHEET 5 OF 5