



MOLDED CASE



MULTILAYER INDUCTOR

DUMMY COMPONENT ORDERING INFORMATION

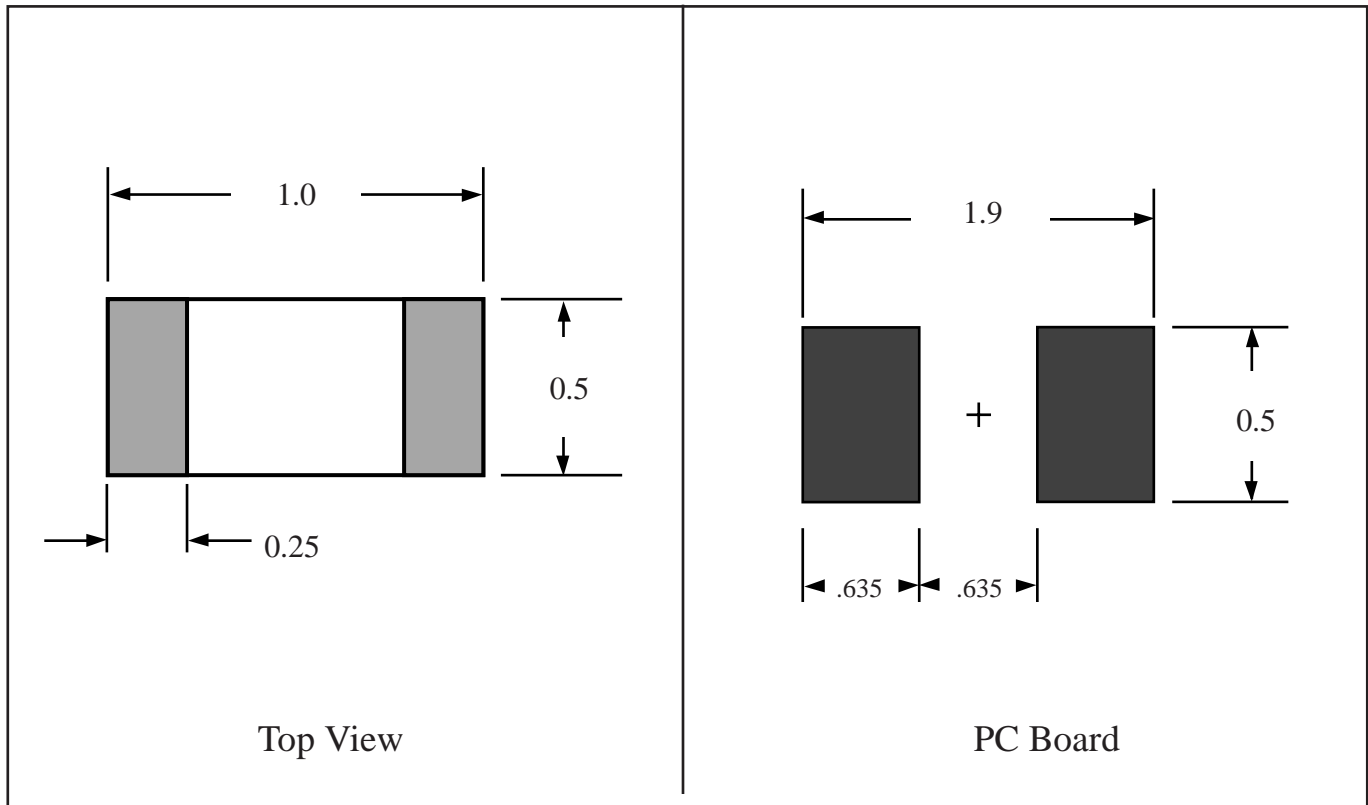
CHIP SIZE MAX		HEIGHT	TAPE INFO		4" (100mm) Tape & Reel Part Number		7" (180mm) Tape & Reel Part Number	
INCH	METRIC		WIDTH	PITCH	XM1	QTY	XD1	QTY
MULTILAYER INDUCTOR								
0603	1608	0.8mm	8mm	4mm	SI0603E4A	250	SI0603E7A	4000
0805	2012	1.25mm	8mm	4mm	SI0805E4A	250	SI0805E7A	4000
1206	3216	1.60mm	8mm	4mm	SI1206E4A	250	SI1206E7A	2000
MOLDED CASE INDUCTOR								
1008	2520	1.8mm	8mm	4mm	SI1008E4A	250	SI1008E7A	2000
1210	3225	2.2mm	8mm	4mm	SI1210E4A	250	SI1210E7A	2000
1812	4532	3.2mm	12mm	8mm	SI1812E4A	100	SI1812E7A	500

Part # **SI0402**
Multilayer Chip Inductor
 Body Size **0402**

Dwg SI0402.pdf



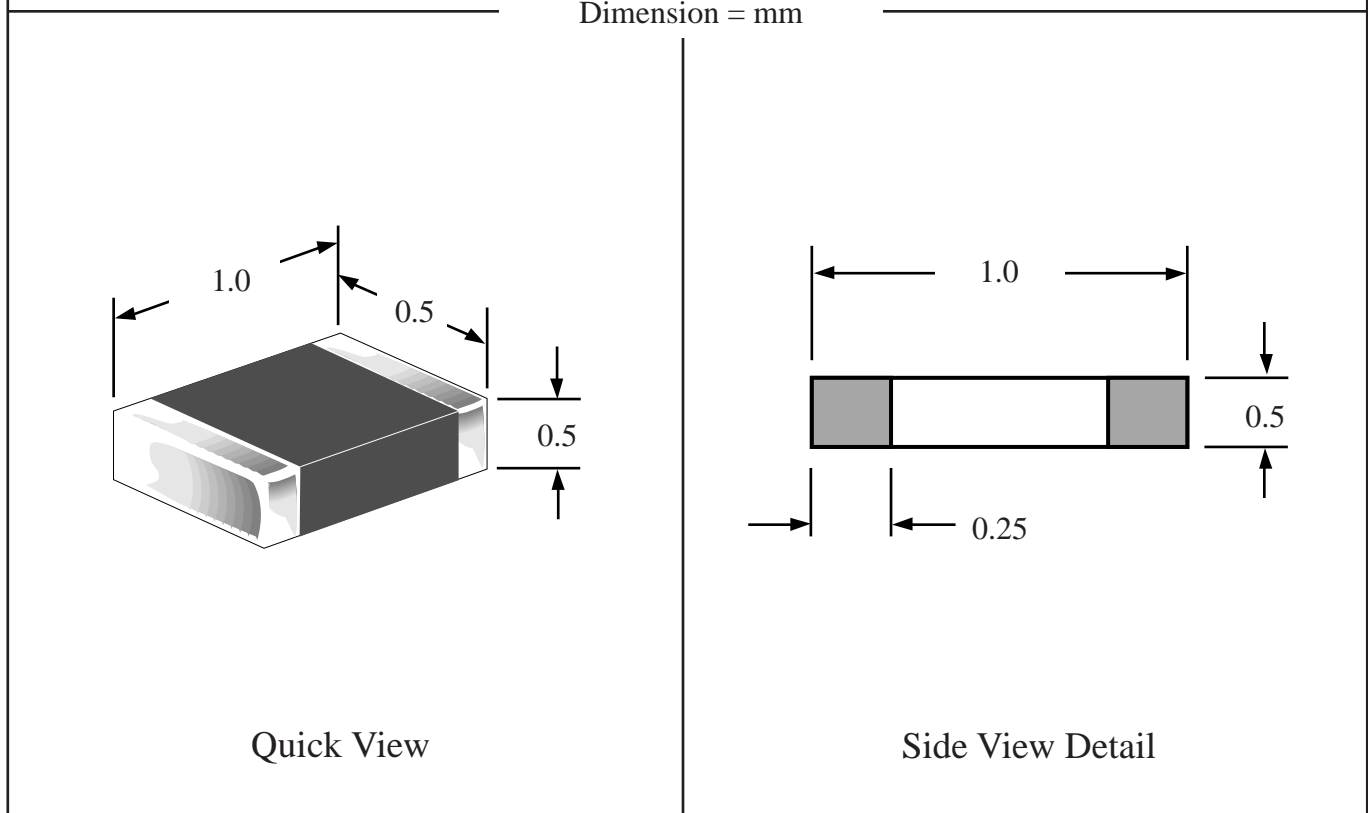
Tel 1-714-898-3830
 info@topline.to



Top View

PC Board

Dimension = mm



Quick View

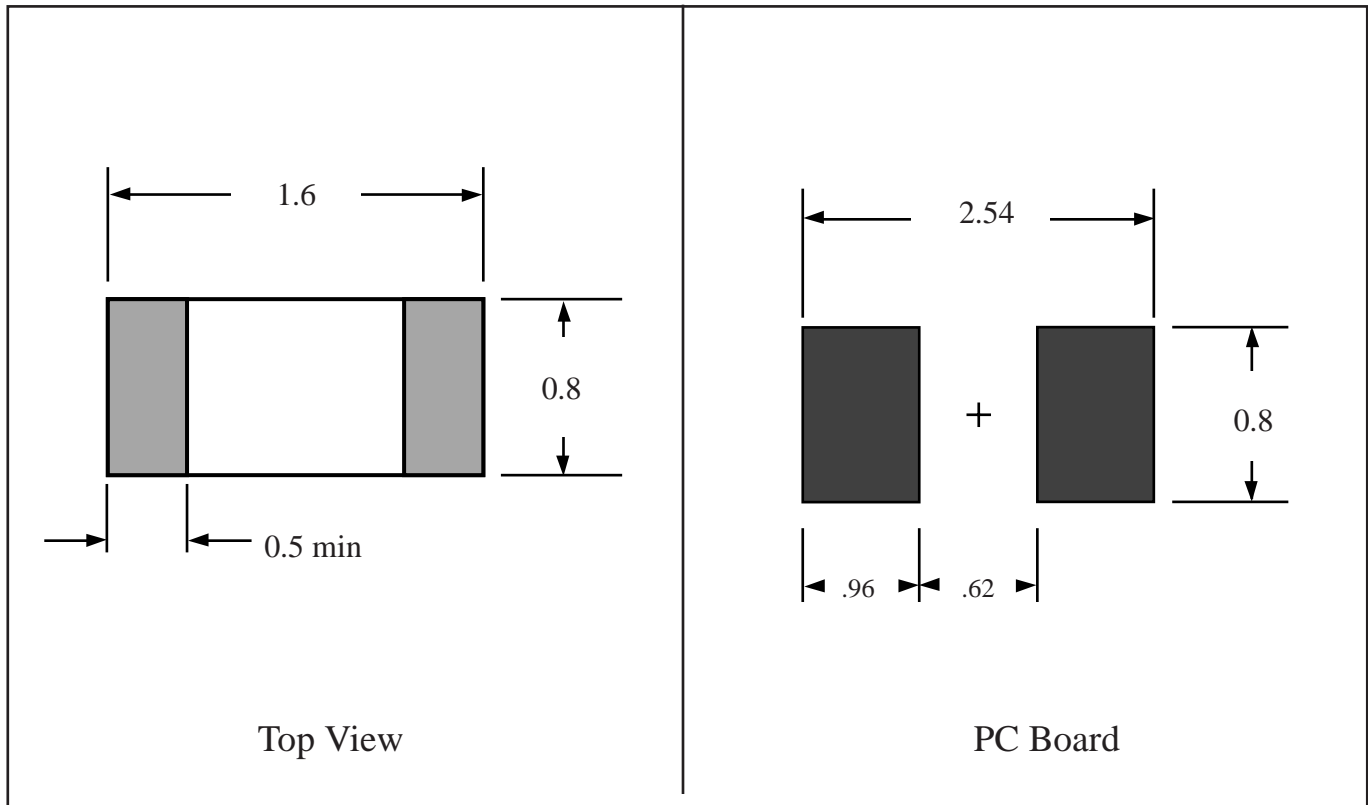
Side View Detail

Part # **SI0603**
Multilayer Chip Inductor
 Body Size **0603**

Dwg SI0603.pdf



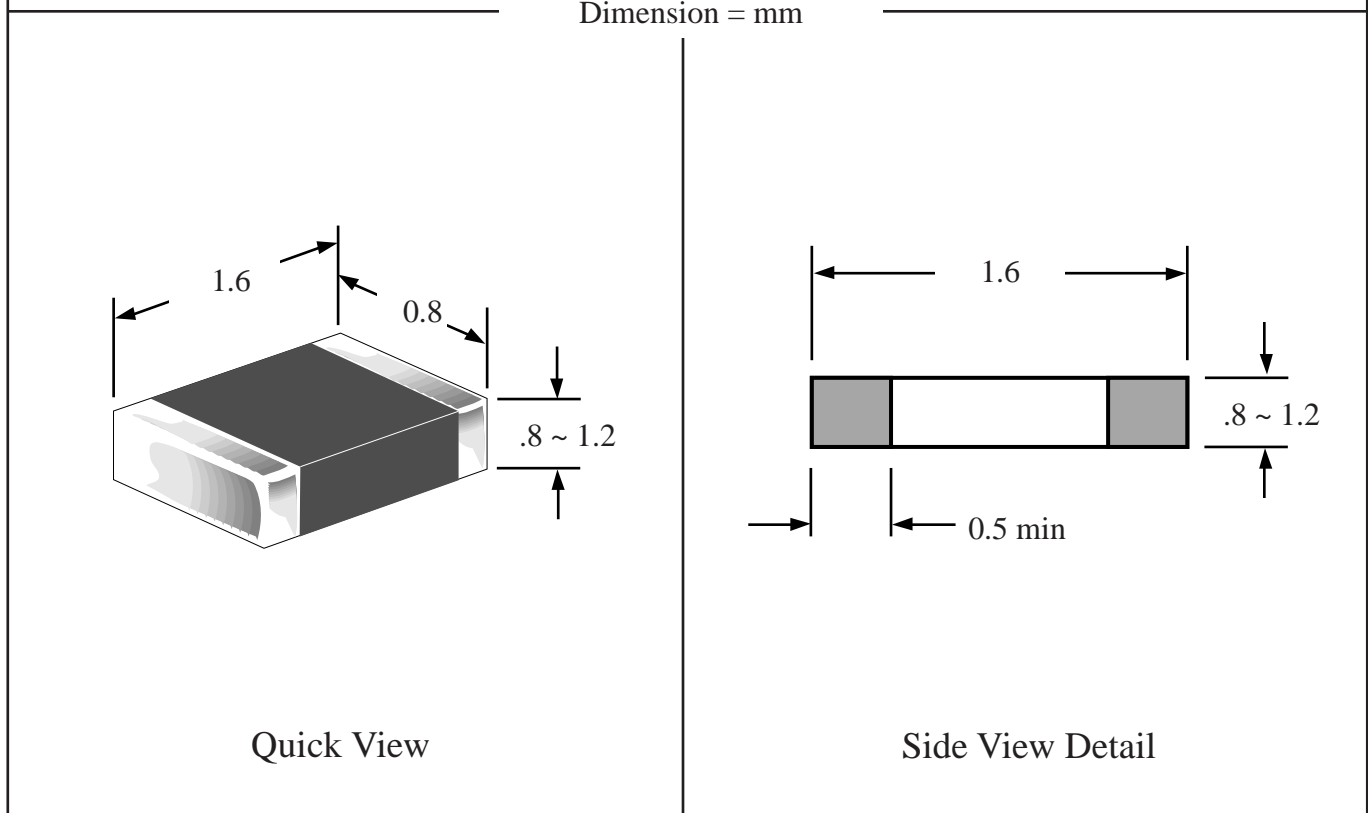
Tel 1-714-898-3830
 info@topline.to



Top View

PC Board

Dimension = mm



Quick View

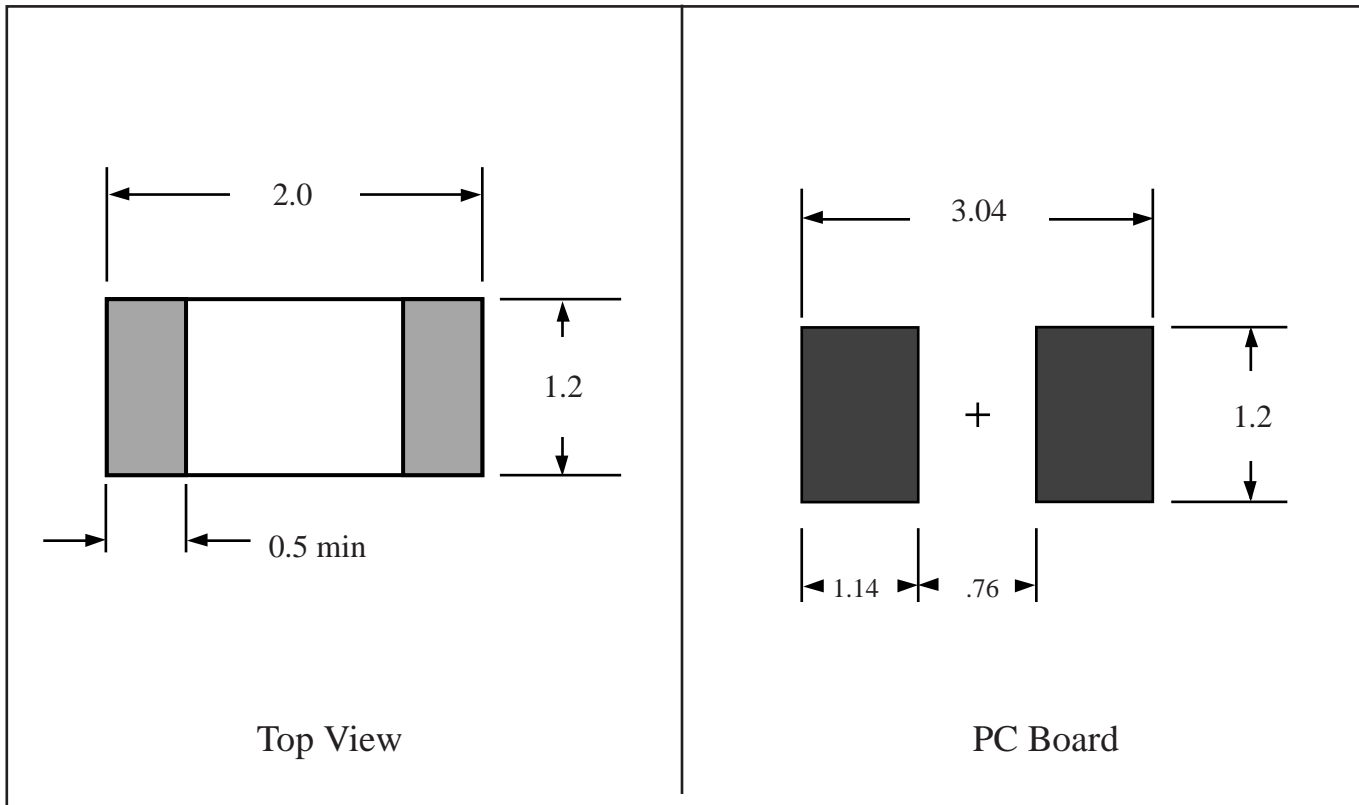
Side View Detail

Part # **SI0805**
Multilayer Chip Inductor
 Body Size **0805**

Dwg SI0805.pdf



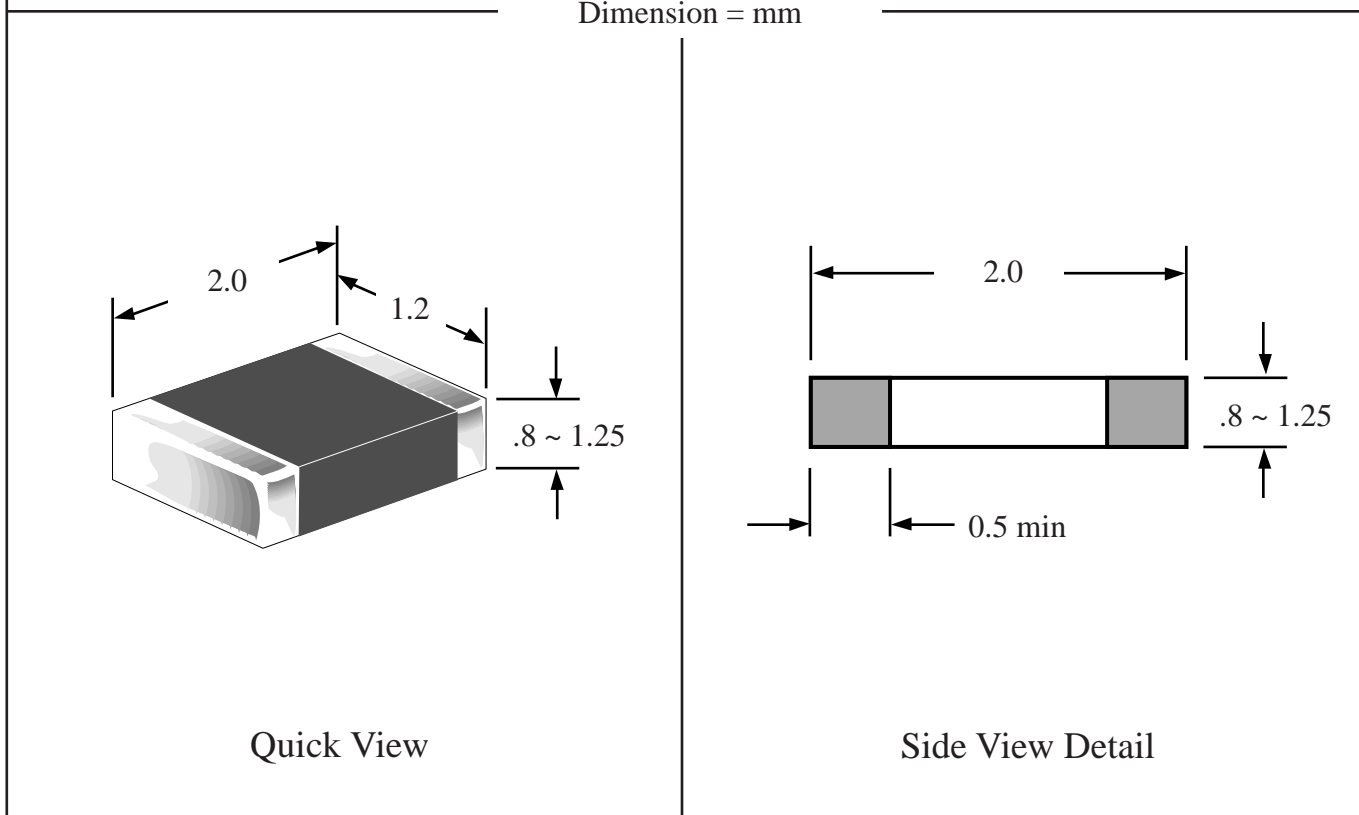
Tel 1-714-898-3830
 info@topline.to



Top View

PC Board

Dimension = mm

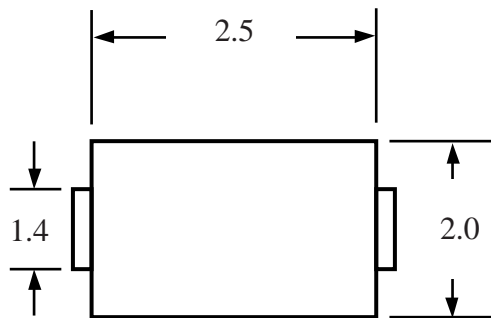


Quick View

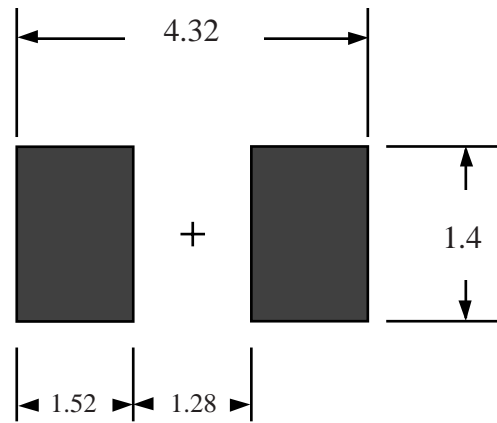
Side View Detail

Part # **SI1008**
Molded Chip Inductor
 Body Size **1008**
 Dwg SI1008.pdf

TopLineTM
 Tel 1-714-898-3830
 info@topline.to

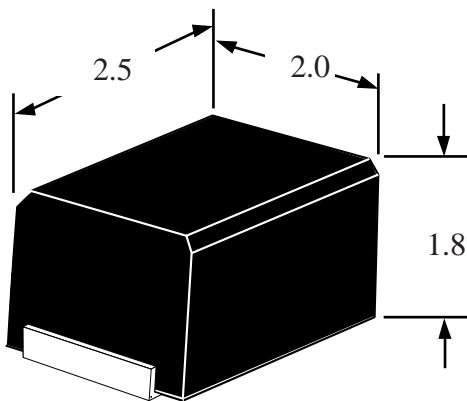


Top View

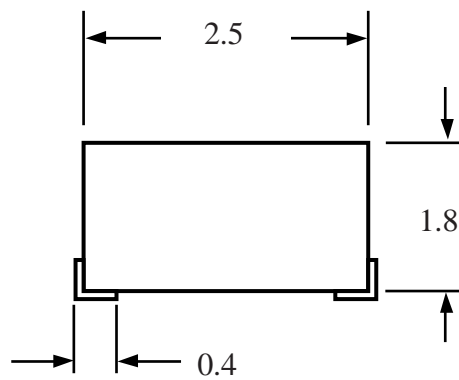


PC Board

Dimensions = mm



Quick View



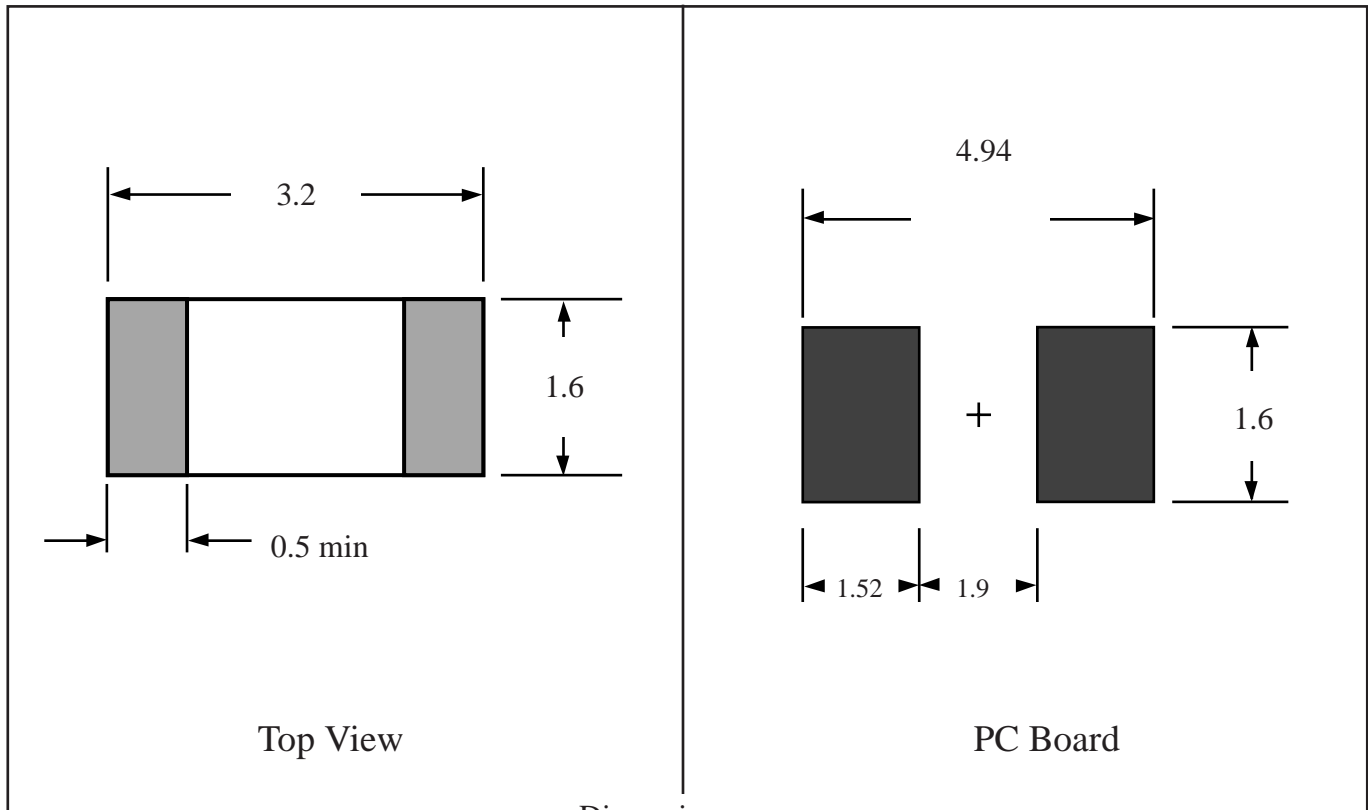
Side View Detail

Part # **SI1206**
Multilayer Chip Inductor
 Body Size **1206**

Dwg SI1206.pdf



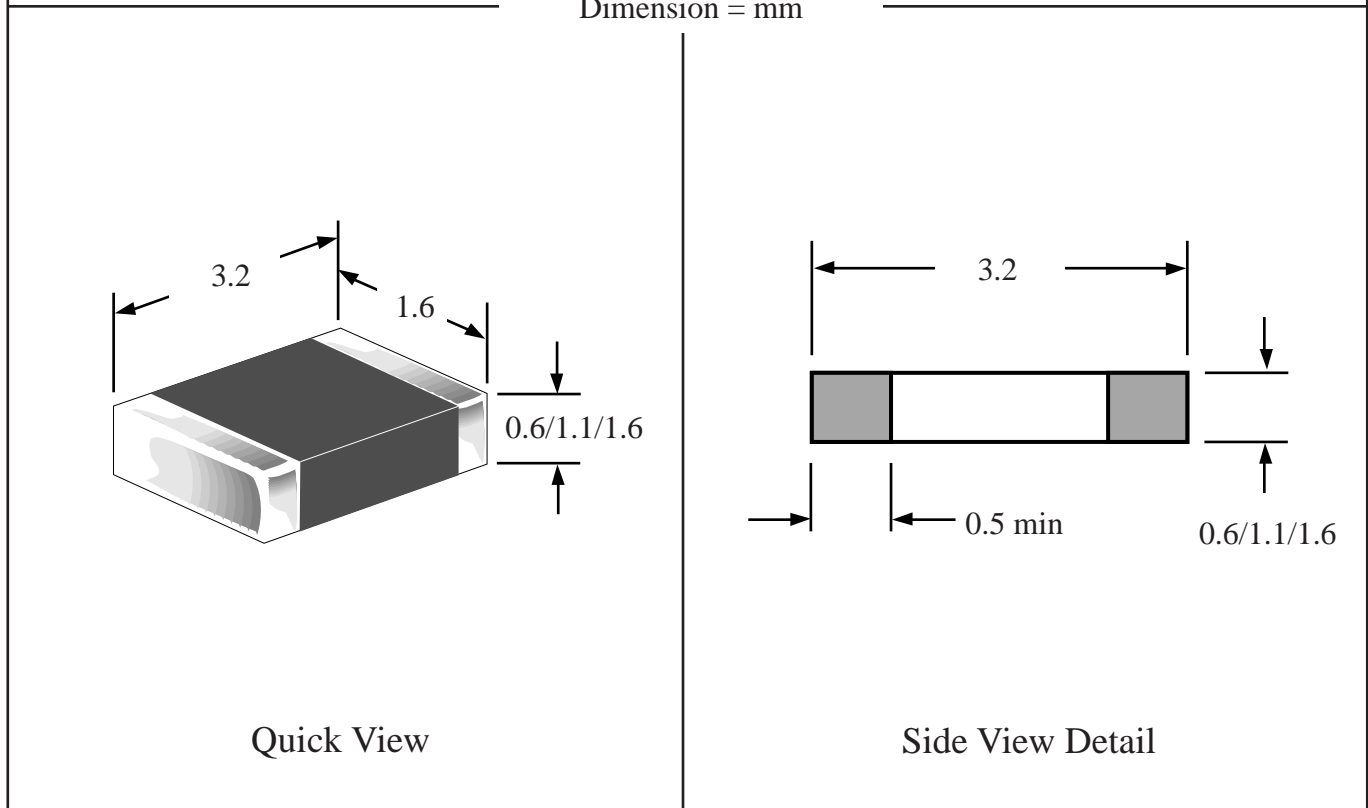
Tel 1-714-898-3830
 info@topline.to



Top View

PC Board

Dimension = mm



Quick View

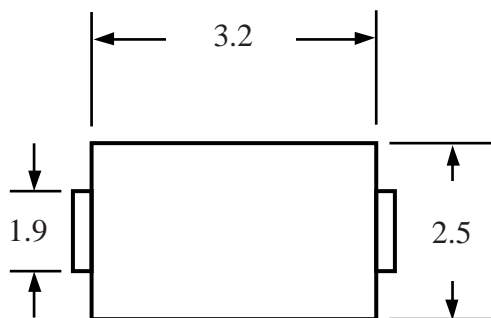
Side View Detail

Part # **SI1210**
Molded Chip Inductor
 Body Size **1210**

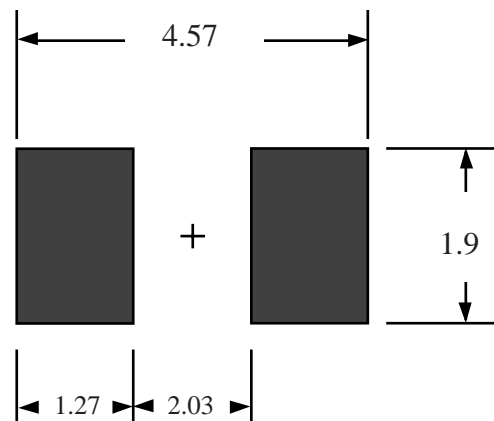
Dwg SI1210.pdf



Tel 1-714-898-3830
 info@topline.to

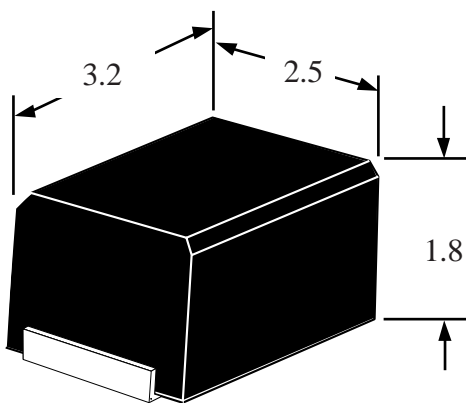


Top View

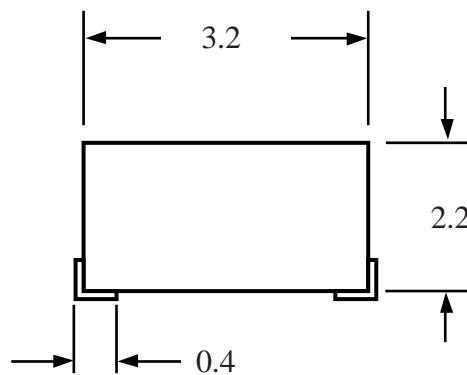


PC Board

Dimensions = mm



Quick View



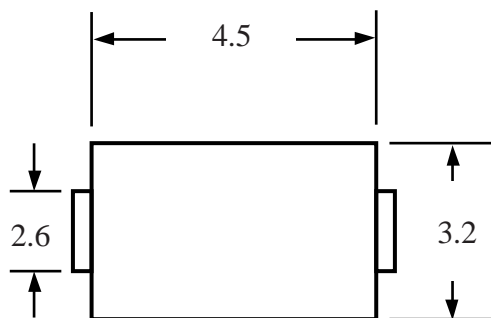
Side View Detail

Part # **SI1812**
Molded Chip Inductor
 Body Size **1812**

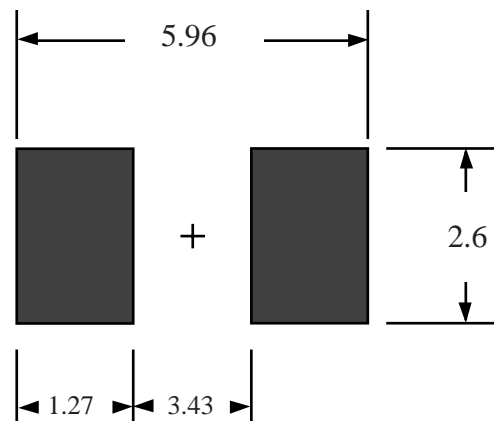
Dwg SI1812.pdf



Tel 1-714-898-3830
 info@topline.to

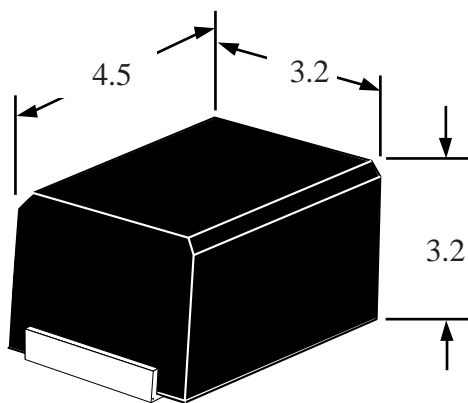


Top View

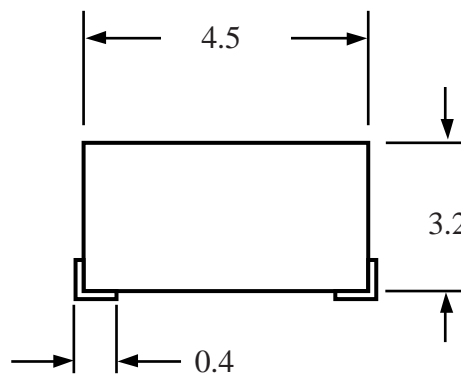


PC Board

Dimensions = mm



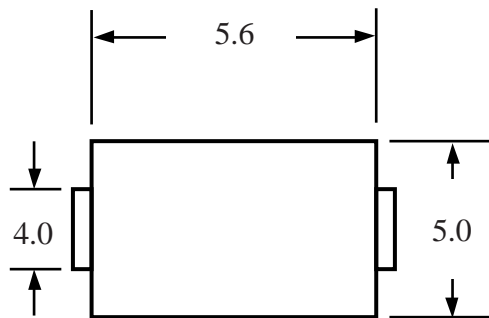
Quick View



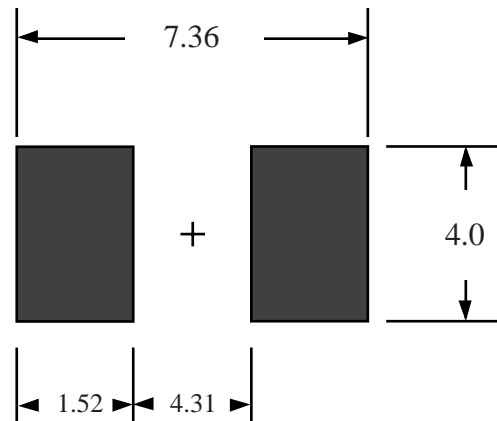
Side View Detail

Part # **SI2220**
Molded Chip Inductor
 Body Size **2220**
 Dwg SI2220.pdf

TopLineTM
 Tel 1-714-898-3830
 info@topline.to

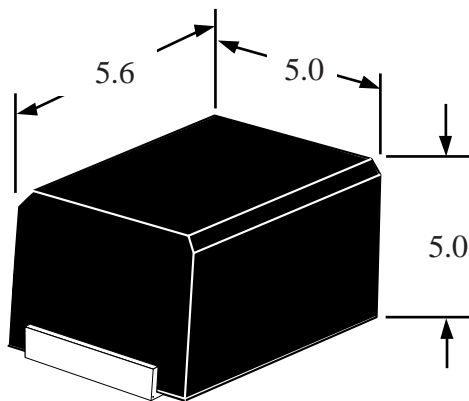


Top View

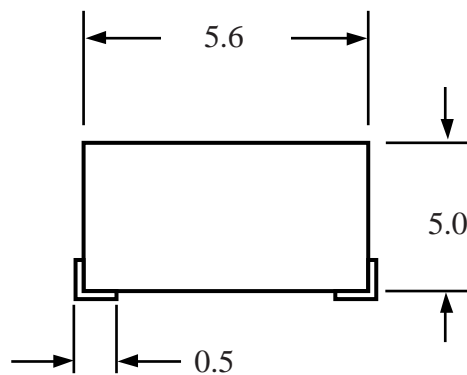


PC Board

Dimensions = mm



Quick View



Side View Detail

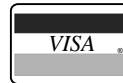


2001 Dummy Parts

HOW TO ORDER

PAYMENT TERMS

- Credit Terms (Net 30) for established customers.
- American Express, JCB, Mastercard and VISA accepted.



CONFIRMING PURCHASE ORDERS

- Confirming purchase orders are required for all orders over \$500.



MINIMUM PER ORDER

- USA/Canada \$50 minimum. • Export \$1000.

F.O.B. POINT AND SHIPPING

- F.O.B. Garden Grove, California. Please specify preferred method of shipment when placing order.

TopLine™

e-mail sales@topline.tv

www.dummy.tv

7331A Garden Grove Blvd, Garden Grove, CA 92841 USA

Toll Free USA/Canada 1-800-776-9888

Tel 1-714-898-3830

Fax 1-714-891-0321

© 2001. TopLine. All Rights Reserved

This catalog, or any parts thereof, must not be reproduced in any form without written permission of TopLine.

Reprint July 2001